



# Assembly instructions.

(To be read along with basic assembly instructions)

## All kits - lights inline with rail.

### WARNING: READ BEFORE RUNNING SYSTEM, LAMPS ATTACHED.

Never run the system until end motor stops have been adjusted and fastened to rail as instructed. Otherwise motor or jockey wheel set, with lamps attached, may run off end of rail.

#### Parts List

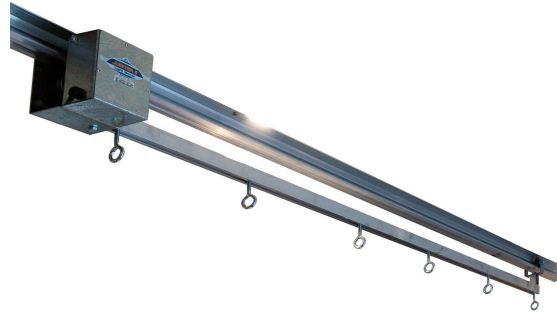
1. 1 x motor unit. Includes 2 x stopper screws with nuts, rail mounting screws or cable ties for tent models
2. 2 x 1.2, 1.5, 2m or 1 x 2, 2.4 or 3m aluminium rail
3. 1 x 1.2, 1.5 or 2 m adjustabar pushrod aluminium
4. 1 x M6x25mm motor bolt & nut
5. 1 x jockey wheel kit clamp bracket & 1 x 6x45mm bolt
6. 4 or 6 x M6x25mm eyebolts to hang lights from adjustabar

#### Rail mounting

please refer to separate instruction sheet.

#### Pushrod assembly

**Please note** - Pushrod is usually delivered pre-assembled. If so please go to below instruction - **Mounting whole assembly to rail.**



#### Connecting jockey wheel clamp to end of adjustabar pushrod

1. Slide the jockey wheel bracket into pushrod at end opposite to the end with 6mm hole. **Pic 1**
3. Fasten bolt in jockey wheel bracket using 10 mm spanner. **Pic 2**
4. Slide eye bolts to underside of adjustabar pushrod and fasten in position. **Pic 3**

#### Mounting pushrod assembly to rail

1. **Fasten 6x25mm motor bolt to motor chassis, thread in upward position. Pic 4**
2. Slide one motor stopper onto track and fasten **no more than half way** along rail.
3. Slide motor, with the Jupiter 2 sticker facing you, onto left end of rail.
4. Slide the other motor stopper on rail, position both stoppers and fasten. **Pic 5**
5. Fasten both screws using philips head screwdriver then tighten locknuts.
6. Lift the assembled pushrod and slide the jockey wheel end onto right end of rail.
7. **Connect pushrod to motor** - Pushrod has a 6 mm hole drilled through one end. Lower the pushrod onto the thread of the M6x25 motor bolt making sure motor bolt sits in pushrod hole. **Pic 6.**

**Important!** Pushrod sits loose on motor bolt. Never fasten pushrod hard to motor as motor must pivot on jockey wheels using weight of light fixtures to obtain drive wheel traction. fasten motor bolt hard to chassis with nut first then lower pushrod onto bolt thread so pushrod sits on top of nut. **Pic 6**

#### Mounting reflectors to adjustabar (crossbar)

1. Mount one reflector to 2 eyebolts (hang from chain) or bolt reflector directly to adjustabar pushrod.
2. Mount ballasts on wall approx same height as rail.
3. Cable tie lamp cord and the motor cord to eye bolt closest to motor. Now drape them across to the ballasts. Secure the cords making sure that there is enough slack for full movement of motor along rail.
4. Do the same as step 3 for cord from reflector under the jockey wheel set.
5. Before powering up lamps connect the motor unit to a 240 VAC power outlet and watch the motor run along track a few times to make sure the motor runs smoothly without any snagging of cords etc.

#### Troubleshooting - [info@jupiter2lightmover.com](mailto:info@jupiter2lightmover.com)

If motor appears to stop anywhere between the stoppers check to see if the drive wheel has traction contact with the rail and is not slipping. If so see '**Important**' instruction above.

Make sure rail is level with the aid of a spirit level (it may look OK by eye but is not). If no spirit level is handy then unfasten rail turn it around 180 deg and re-fasten. This may work as the rail will be correctly re-angled to allow traction.

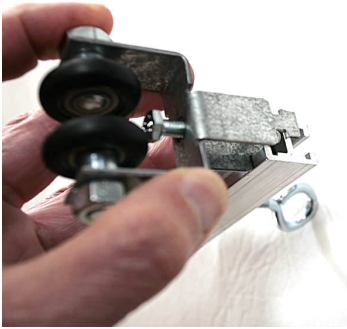
Remember that if the rail has to be mounted on even a slight angle then make sure the drive wheel end of motor is facing downhill to ensure good traction



# Assembly instructions.

(To be read along with basic assembly instructions)  
**All kits - lights inline with rail.**

**Pic 1**



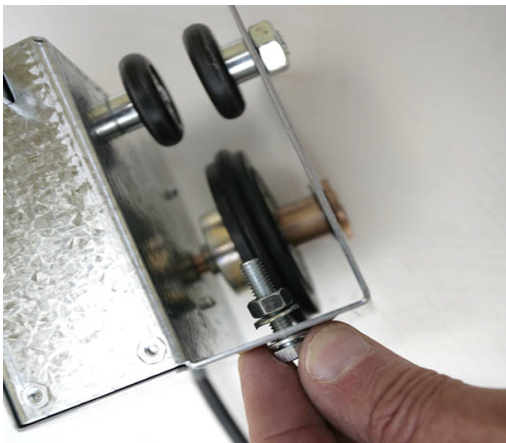
**Pic 2**



**Pic 3**



**Pic 4**



**Pic 5**



**Pic 6**



**Important!** Pushrod sits loose on motor bolt. Never fasten pushrod hard to motor as motor must pivot on jockey wheels using weight of light fixtures to obtain drive wheel traction. fasten motor bolt hard to chassis with nut first then lower pushrod onto bolt thread so pushrod sits on top of nut.