



CENTRIFUGAL FAN



Centro

EN

USER'S MANUAL



BLAUBERG
Ventilatoren

CONTENTS

Contents.....	2
Safety requirements.....	3
Purpose.....	5
Delivery set.....	5
Designation key.....	5
Technical data.....	6
Design and operating principle	7
Mounting and set-up.....	8
Connection to power mains	9
Technical maintenance.....	10
Storage and transportation regulations.....	10
Manufacturer's warranty.....	11
Certificate of acceptance	12
Seller information.....	12
Installation certificate.....	12
Warranty card	12

This user's manual is a main operating document intended for technical, maintenance, and operating staff.

The manual contains information about purpose, technical details, operating principle, design, and installation of the Centro unit and all its modifications.

Technical and maintenance staff must have theoretical and practical training in the field of ventilation systems and should be able to work in accordance with workplace safety rules as well as construction norms and standards applicable in the territory of the country.

The information in this user's manual is correct at the time of the document's preparation.

The Company reserves the right to modify the technical characteristics, design, or configuration of its products at any time in order to incorporate the latest technological developments.

No part of this publication may be reproduced, stored in a retrieval system, or transmitted, in any form or by any means in any information search system or translated into any language in any form without the prior written permission of the Company.

SAFETY REQUIREMENTS

- Please read the user’s manual carefully prior to installing and operating the unit.
- All user’s manual requirements as well as the provisions of all the applicable local and national construction, electrical, and technical norms and standards must be observed when installing and operating the unit.
- The warnings contained in the user’s manual must be considered most seriously since they contain vital personal safety information.
- Failure to follow the rules and safety precautions noted in this user’s manual may result in an injury or unit damage.
- After a careful reading of the manual, keep it for the entire service life of the unit.
- While transferring the unit control, the user’s manual must be turned over to the receiving operator.

UNIT INSTALLATION AND OPERATION SAFETY PRECAUTIONS



- Disconnect the unit from power mains prior to any installation operations.



- Unpack the unit with care.



- The unit must be grounded!



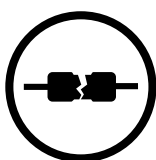
- While installing the unit, follow the safety regulations specific to the use of electric tools.



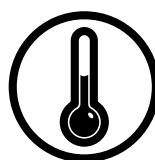
- Do not change the power cable length at your own discretion.
- Do not bend the power cable.
- Avoid damaging the power cable.
- Do not put any foreign objects on the power cable.



- Do not lay the power cable of the unit in close proximity to heating equipment.



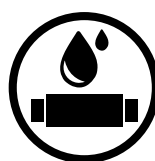
- Do not use damaged equipment or cables when connecting the unit to power mains.



- Do not operate the unit outside the temperature range stated in the user’s manual.
- Do not operate the unit in aggressive or explosive environments.



- Do not touch the unit controls with wet hands.
- Do not carry out the installation and maintenance operations with wet hands.



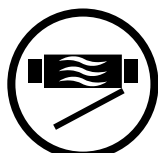
- Do not wash the unit with water.
- Protect the electric parts of the unit against ingress of water.



- Do not allow children to operate the unit.



- Do not store any explosive or highly flammable substances in close proximity to the unit.



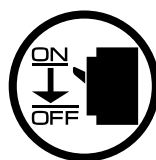
- Do not open the unit during operation.



- Do not block the air duct when the unit is switched on.



- Do not sit on the unit and avoid placing foreign objects on it.



- Disconnect the unit from power mains prior to any technical maintenance.



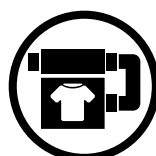
- When the unit generates unusual sounds, odour, or emits smoke, disconnect it from power supply and contact the Seller.



- Do not direct the air flow produced by the unit towards open flame or ignition sources.



- In case of continuous operation of the unit, periodically check the security of mounting.



- Use the unit only for its intended purpose.



TAKE STEPS TO PREVENT INGRESS OF SMOKE, CARBON MONOXIDE, AND OTHER COMBUSTION PRODUCTS INTO THE ROOM THROUGH OPEN CHIMNEY FLUES OR OTHER FIRE-PROTECTION DEVICES.


SUFFICIENT AIR SUPPLY MUST BE PROVIDED FOR PROPER COMBUSTION AND EXHAUST OF GASES THROUGH THE CHIMNEY OF FUEL BURNING EQUIPMENT TO PREVENT BACK DRAFTING.



THE PRODUCT MUST BE DISPOSED SEPARATELY AT THE END OF ITS SERVICE LIFE. DO NOT DISPOSE THE UNIT AS UNSORTED DOMESTIC WASTE.

PURPOSE

The product described herein is a centrifugal inline fan for supply or exhaust ventilation of premises. The fan is designed for connection to ø 100, 125, 150, 200, 250 and 315 mm air ducts. A model with a duct diameter of 150 mm can be mounted in a duct with a diameter of 150 or 160 mm.



THE UNIT SHOULD NOT BE OPERATED BY CHILDREN OR PERSONS WITH REDUCED PHYSICAL, MENTAL, OR SENSORY CAPACITIES, OR THOSE WITHOUT THE APPROPRIATE TRAINING.

THE UNIT MUST BE INSTALLED AND CONNECTED ONLY BY PROPERLY QUALIFIED PERSONNEL AFTER THE APPROPRIATE BRIEFING.

THE CHOICE OF UNIT INSTALLATION LOCATION MUST PREVENT UNAUTHORIZED ACCESS BY UNATTENDED CHILDREN.

Transported air must not contain any flammable or explosive mixtures, evaporation of chemicals, sticky substances, fibrous materials, coarse dust, soot and oil particles or environments favourable for the formation of hazardous substances (toxic substances, dust, pathogenic germs).

DELIVERY SET

Name	Number
Fan	1 pc.
Screws and dowels	4 pc.
Mounting bracket	2 pc.
User's manual	1 pc.
Packing box	1 pc.

DESIGNATION KEY

Centro 100 X X

- Network parameters**
 - _: 220-240 V/50 Hz
 - 220 V/60 Hz: supply voltage 220 V, supply frequency 60 Hz
- Additional options**
 - L**: low-power motor.
 - max**: High-powered motor
 - V2**: double-speed motor.
 - FR1**: integrated smooth speed controller
 - G1**: speed controller with an electronic thermostat and an external temperature sensor fixed on a 4-meter cable. Power cable with mains plug. Temperature-based operation logic
 - GT1**: speed controller with an electronic thermostat and an external temperature sensor fixed on a 4-meter cable. Power cable with mains plug. Timer-based operation logic
 - G11**: speed controller with an electronic thermostat and an integrated temperature sensor. Power cable with mains plug. Temperature-based operation logic
 - GT11**: speed controller with an electronic thermostat and an integrated temperature sensor. Power cable with mains plug. Timer-based operation logic
 - GS1**: speed controller with an electronic thermostat and an external temperature sensor fixed on a 4-meter cable. Power cable with mains plug. Temperature-based switching on/off
 - GS11**: speed controller with an electronic thermostat and an integrated temperature sensor fixed on a 4-meter cable. Power cable with mains plug. Temperature-based switching on/off
 - V**: built-in speed switch (for double-speed motors).
 - W1**: cable with mains plug
- Air duct diameter [mm]**
 - 100; 125; 150; 200; 250; 315
- Unit series**
 - Centrifugal fan

TECHNICAL DATA

The fan is designed for indoor application with the ambient temperature ranging from +1 °C up to +45 °C and relative humidity up to 80 %. Hazardous parts access and water ingress protection rating IPX4.

The unit is rated as a class II electric appliance.

The unit design is constantly being improved, thus some models may be slightly different from those described in this manual.

Parameter	Centro 100 L		Centro 100		Centro 125 L		Centro 125		Centro 150	
Voltage [V]	1~220-240									
Frequency	50	60	50	60	50	60	50	60	50	60
Power [W]	62	63	80	81	61	64	79	81	80	84
Current [A]	0.38	0.38	0.34	0.34	0.38	0.4	0.34	0.35	0.35	0.37
Maximum air flow [m ³ /h]	205	210	250	290	260	270	355	370	460	505
RPM [min ⁻¹]	2650	2710	2820	2890	2610	2680	2800	2830	2725	2840
Maximum transported air temperature [°C]	-25...+60	-25...+40	-25...+60	-25...+40	-25...+60	-25...+40	-25...+60	-25...+40	-25...+60	-25...+40
Ingress protection rating	IPX4									

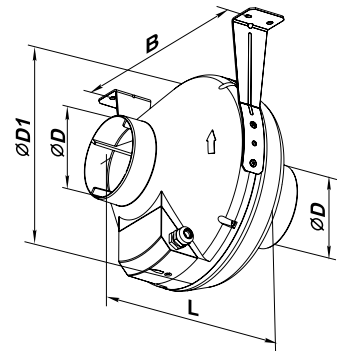
Parameter	Centro 200		Centro 200 max		Centro 250 L		Centro 250		Centro 315		Centro 315 max
Voltage [V]	1~220-240										
Frequency	50	60	50	60	50	60	50	60	50	60	50
Power [W]	107	132	173	216	108	135	173	207	200	213	310
Current [A]	0.47	0.58	0.76	0.94	0.47	0.59	0.76	0.9	0.88	0,95	1.36
Maximum air flow [m ³ /h]	780	890	930	1020	865	930	1080	1090	1340	1290	1700
RPM [min ⁻¹]	2660	2765	2125	2155	2560	2570	2090	2120	2655	2590	2590
Maximum transported air temperature [°C]	-25...+60	-25...+40	-25...+60	-25...+40	-25...+60	-25...+40	-25...+60	-25...+40	-25...+60	-25...+40	-25...+60
Ingress protection rating	IPX4										

Parameter	Centro 100 V2		Centro 125 V2		Centro 150 V2		Centro 200 V2	
Speed	min	max	min	max	min	max	min	max
Voltage [V]	1~230							
Power [W]	45	57	45	58	46	59	83	95
Current [A]	0.21	0.25	0.21	0.26	0.22	0.26	0.37	0.43
Maximum air flow [m ³ /h]	157	264	191	329	264	445	430	741
RPM [min ⁻¹]	1820	2440	1810	2380	1805	2420	1920	2470
Maximum transported air temperature [°C]	-25...+60							
Ingress protection rating	IPX4							

Parameter	Centro 250 V2		Centro 315 V2	
Speed	min	max	min	max
Voltage [V]	1~ 230			
Power [W]	147	176	143	173
Current [A]	0.66	0.76	0.68	0.76
Maximum air flow [m ³ /h]	642	1126	758	1268
RPM [min ⁻¹]	1940	2370	1870	2410
Maximum transported air temperature [°C]	-25...+60			
Ingress protection rating	IPX4			

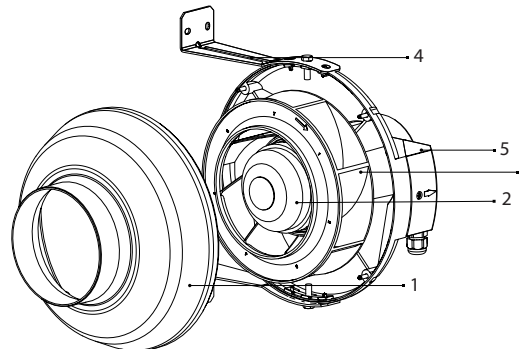
Overall dimensions of the unit

Model	Dimensions [mm]				Weight [kg]
	D	D1	B	L	
Centro 100 (L/max/V2)	100	250	270	230	2.01
Centro 125 (L/V2)	125	250	270	220	2.2
Centro 150 (V2)	150/160	300	310	286	2.45
Centro 200(V2)	200	340	354	276	3.0
Centro 200 max	200	340	354	276	4.3
Centro 250 (L/max/V2)	250	340	354	265	4.3
Centro 315 (V2)	315	400	414	276	4.85
Centro 315 max	315	400	414	276	4.85



DESIGN AND OPERATING PRINCIPLE

1. Casing
2. Motor
3. Impeller
4. Mounting bracket
5. Terminal box



The fan is equipped with a single-phase motor with an external rotor, equipped with a centrifugal impeller. The Duo models are supplied with a double-speed asynchronous motor. The fan is rated for continuous operation.

Electronics operation algorithm

The **Centro ... G1(GT1/GI1/GT11/GS1/GS11)** fan is equipped with an electronic module TSC (speed controller with an electronic thermostat) for automatic speed control (air flow) depending on the air temperature.

The terminal compartment incorporates 2 control knobs:

- presetting speed
- setting electric thermostat threshold value

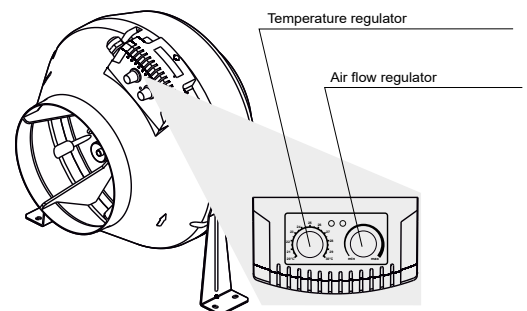
The fan is equipped with two indicators:

- temperature sensor indicator (hereinafter referred to as TSI) - yellow colour
- motor control indicator (hereinafter referred to as MCI) - green/yellow colour

When the fan turns on, the TSI indicates the unit operation algorithm:

- one pulse - G1(GI1);
- two pulses - GT1(GT11);
- three pulses - GS1(GS11).

The MCI lights up in green when the motor rotates and in red when it stops (or rotates very slowly). To set the thermostat threshold, rotate the thermostat control knob clockwise to increase or counter-clockwise to decrease the temperature set point. To set the fan speed (air flow), rotate the speed control knob in the same way.



Centro ... G1(GI1): In this case, fan speed switching operations are rare.

The TSI lights up and the fan switches to the maximum speed as the room air temperature exceeds the set point.

As the air temperature drops 2 °C below the set point or if the initial temperature is below the set point, the TSI goes out and the fan operates with the set speed.

Centro ... GT1(GT11): The speed switching operations are more frequent as compared to the temperature-based functioning logic **G1(GI1)**, but one speed interval continues at least 5 minutes.

The TSI lights up and the fan switches to the maximum speed as the room air temperature exceeds the set point.

As the air temperature drops down below the set point, the TSI starts blinking, the timer starts a 5-minute countdown and then the fan switches to the set lower speed and the TSI goes out.

Centro ... GS1(GS11): The fan starts only at a certain air temperature.

The TSI lights up and the fan switches to the set speed as the room air temperature exceeds the set point.

As the air temperature drops 2 °C below the set point or if the initial temperature is below the set point, the TSI goes out and the fan turns off.

Temperature sensor failure

Alarm code	Alarm description
Two short pulses	Short circuit of the temperature sensor
One pulse	Breakdown of the temperature sensor

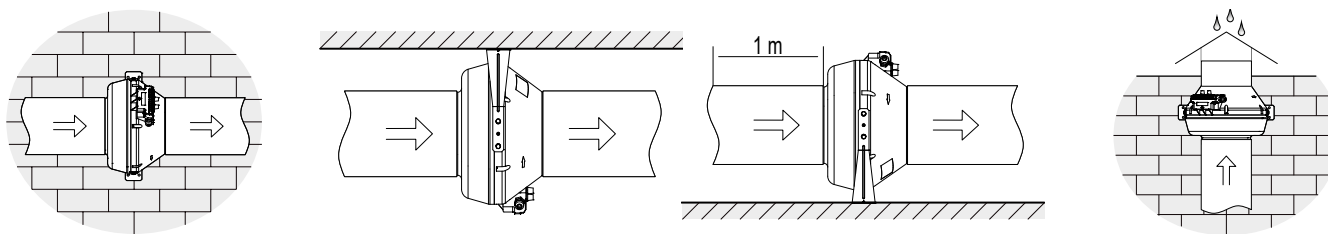
The motor shuts down

MOUNTING AND SET-UP



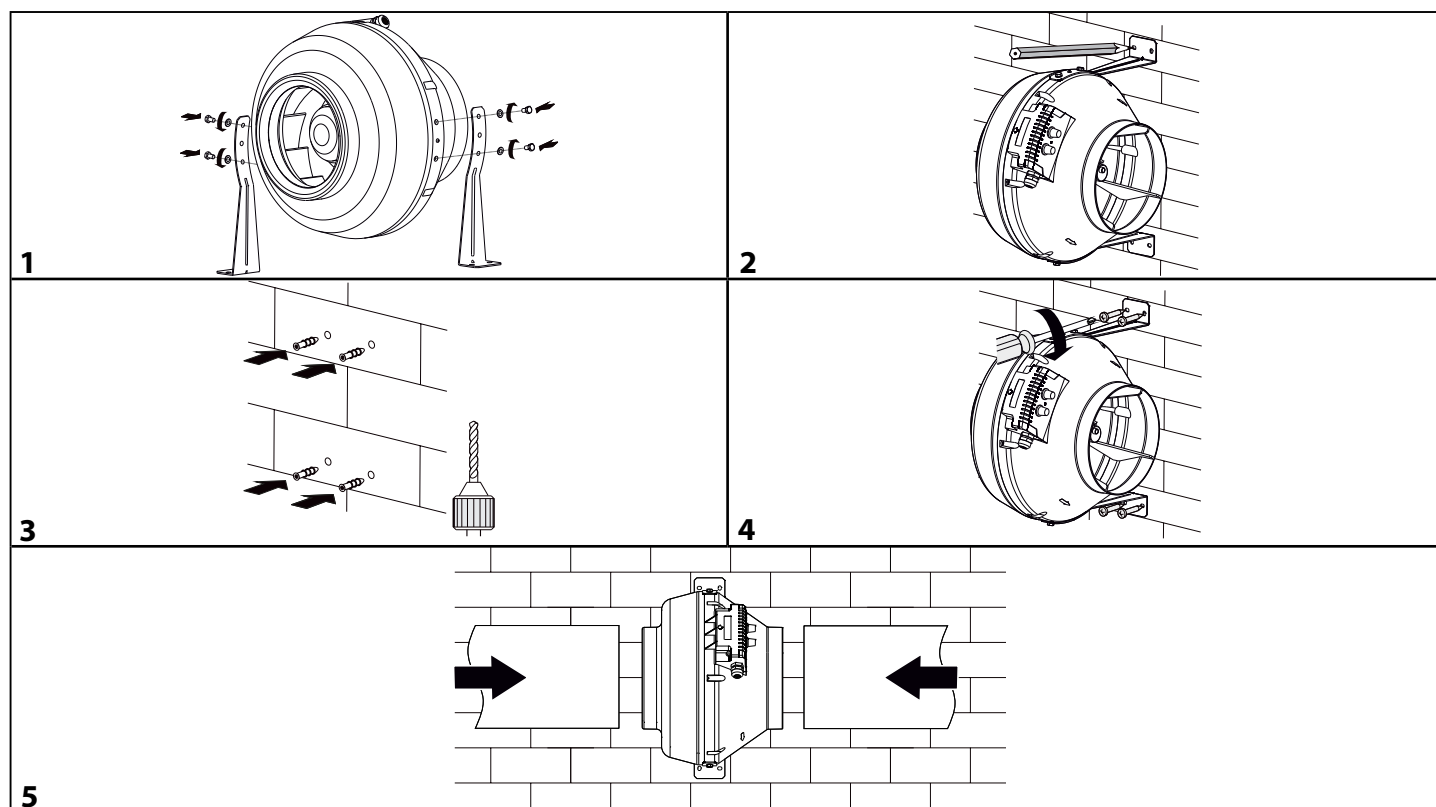
READ THE USER'S MANUAL BEFORE INSTALLING THE UNIT.

The fan is suitable both for horizontal or vertical mounting on the floor, on the wall or on the ceiling. Air motion in the system must be in compliance with the direction of the arrow on the fan casing. Install a hood on the intake spigot side in case of vertical fan installation. When installing the fan horizontally, provide a straight air duct section at least 1 m long on the intake spigot side.



Mounting sequence:

1. Remove the bolts on both sides of the casing, install the mounting brackets and tighten the bolts, aligning the holes in the brackets with the holes in the casing.
2. Mark holes for drilling.
3. Drill the holes in the wall or the ceiling for dowels.
4. Fix the fan with the screws.
5. Connect the air ducts of the corresponding diameter to the fan.



CONNECTION TO POWER MAINS



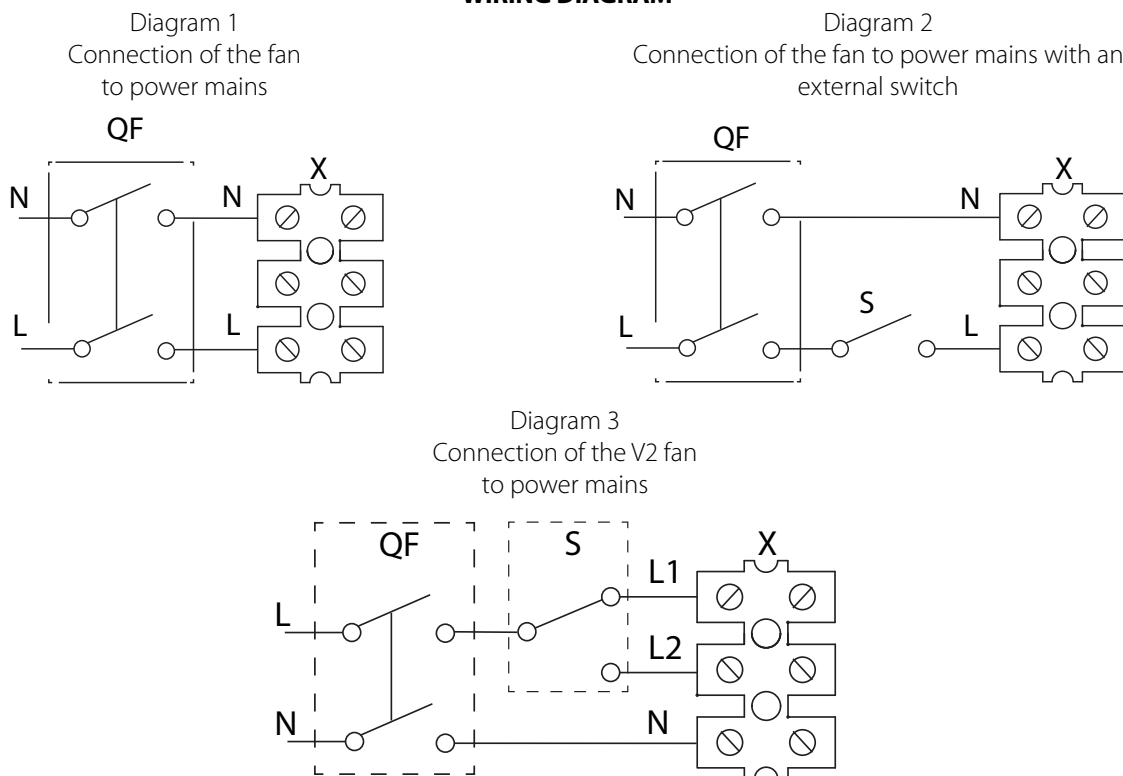
**POWER OFF THE POWER SUPPLY PRIOR TO ANY OPERATIONS WITH THE UNIT.
THE UNIT MUST BE CONNECTED TO POWER SUPPLY BY A QUALIFIED ELECTRICIAN.
THE RATED ELECTRICAL PARAMETERS OF THE UNIT ARE GIVEN ON THE
MANUFACTURER'S LABEL.**



**ANY TAMPERING WITH THE INTERNAL CONNECTIONS IS PROHIBITED
AND WILL VOID THE WARRANTY.**

- The unit is rated for connection to power mains with the parameters specified in the "Technical specifications" section, according to the wiring diagram.
- The connection must be made using durable, insulated and heat-resistant conductors (cables, wires).
- The actual wire cross section selection must be based on the maximum load current, maximum conductor temperature depending on the wire type, insulation, length and installation method.
- The external power input must be equipped with an automatic circuit breaker QF built into the stationary wiring to open the circuit in the event of overload or short-circuit.
- The position of the external automatic circuit breaker must ensure free access for quick power-off of the unit.
- The trip current of the automatic circuit breaker must exceed the maximum current consumption of the unit (refer to the "Technical data" section or to the unit label).
- The recommended trip current of the circuit breaker is the next current in the standard trip current row following the maximum current of the connected unit.
- The circuit breaker is not included in the delivery set and can be ordered separately.

WIRING DIAGRAM



Designation:

L – line; **N** – neutral; **QF** – automatic circuit breaker; **S** – external switch (Diagrams 1, 2); **S** – switch (Diagram 3); **X** – input terminal block

WARNING! The fan is equipped with a thermal switch without self-resetting function.

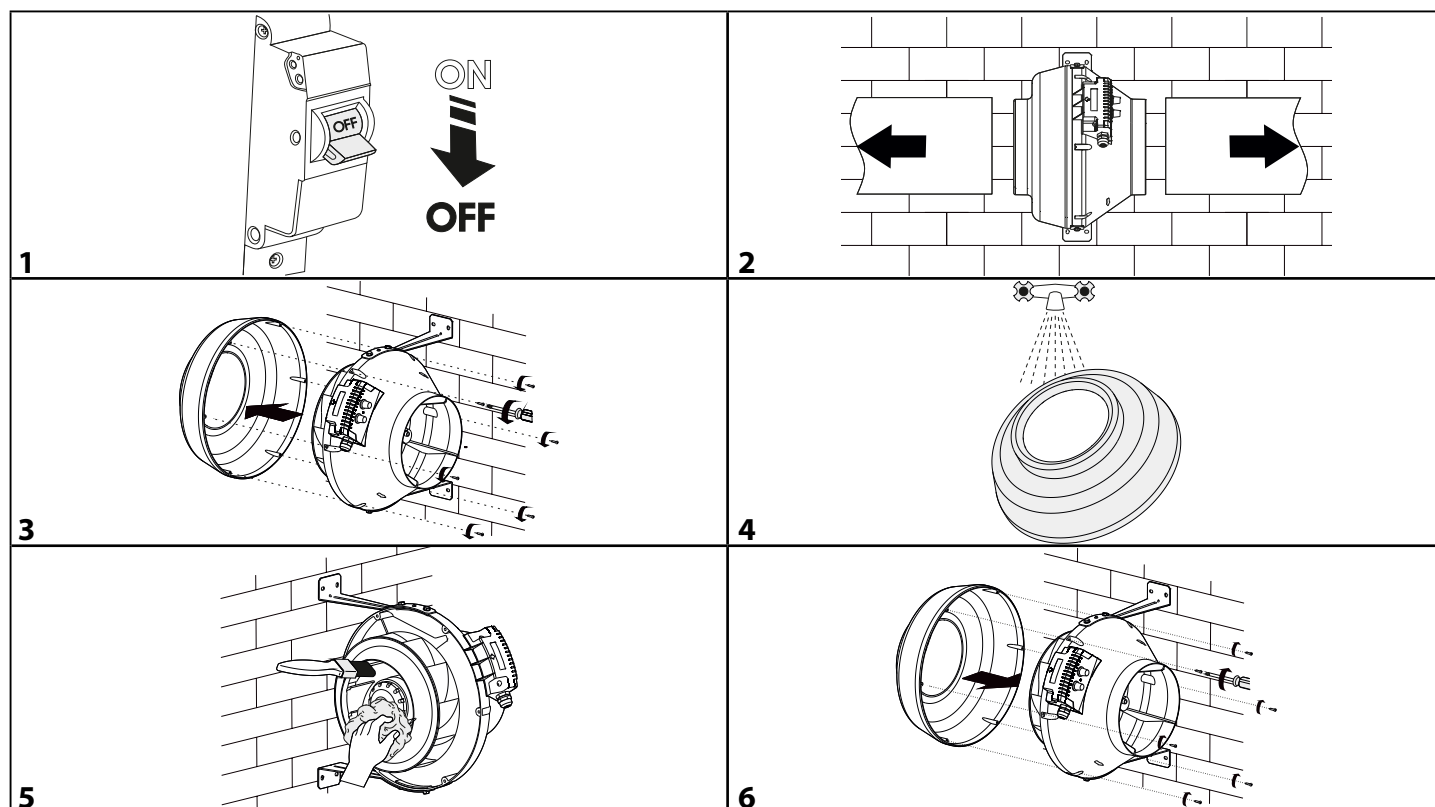
To avoid a random restart of the thermal switch, the unit must not be powered through an external switching device, such as a timer, or connected to power mains usually turned on/off by public services.

TECHNICAL MAINTENANCE



DISCONNECT THE UNIT FROM POWER SUPPLY BEFORE ANY MAINTENANCE OPERATIONS!

Clean the product surfaces regularly (once in 6 months) from dust and dirt. To clean the fan, remove the self-tapping screws and remove the fan cover. To clean the fan, use a soft cloth or a brush wetted in a mild detergent solution. Do not allow water or liquid come into contact with electric components. Wipe the unit surfaces dry after cleaning. Install the cover back in place and screw the self-tapping screws.



WARNING! If the power cord is damaged, it must be replaced by the manufacturer, customer service, or similar qualified personnel in order to avoid danger.

STORAGE AND TRANSPORTATION REGULATIONS

- Store the unit in the manufacturer's original packaging box in a dry closed ventilated premise with temperature range from +5 °C to +40 °C and relative humidity up to 70 %.
- Storage environment must not contain aggressive vapors and chemical mixtures provoking corrosion, insulation, and sealing deformation.
- Use suitable hoist machinery for handling and storage operations to prevent possible damage to the unit.
- Follow the handling requirements applicable for the particular type of cargo.
- The unit can be carried in the original packaging by any mode of transport provided proper protection against precipitation and mechanical damage. The unit must be transported only in the working position.
- Avoid sharp blows, scratches, or rough handling during loading and unloading.
- Prior to the initial power-up after transportation at low temperatures, allow the unit to warm up at operating temperature for at least 3-4 hours.

MANUFACTURER'S WARRANTY

The product is in compliance with EU norms and standards on low voltage guidelines and electromagnetic compatibility. We hereby declare that the product complies with the provisions of Electromagnetic Compatibility (EMC) Directive 2014/30/EU of the European Parliament and of the Council, Low Voltage Directive (LVD) 2014/35/EU of the European Parliament and of the Council and CE-marking Council Directive 93/68/EEC. This certificate is issued following test carried out on samples of the product referred to above.

The manufacturer hereby warrants normal operation of the unit for 24 months after the retail sale date provided the user's observance of the transportation, storage, installation, and operation regulations. Should any malfunctions occur in the course of the unit operation through the Manufacturer's fault during the guaranteed period of operation, the user is entitled to get all the faults eliminated by the manufacturer by means of warranty repair at the factory free of charge. The warranty repair includes work specific to elimination of faults in the unit operation to ensure its intended use by the user within the guaranteed period of operation. The faults are eliminated by means of replacement or repair of the unit components or a specific part of such unit component.

The warranty repair does not include:

- routine technical maintenance
- unit installation/dismantling
- unit setup

To benefit from warranty repair, the user must provide the unit, the user's manual with the purchase date stamp, and the payment paperwork certifying the purchase. The unit model must comply with the one stated in the user's manual. Contact the Seller for warranty service.

The manufacturer's warranty does not apply to the following cases:

- User's failure to submit the unit with the entire delivery package as stated in the user's manual including submission with missing component parts previously dismantled by the user.
- Mismatch of the unit model and the brand name with the information stated on the unit packaging and in the user's manual.
- User's failure to ensure timely technical maintenance of the unit.
- External damage to the unit casing (excluding external modifications as required for installation) and internal components caused by the user.
- Redesign or engineering changes to the unit.
- Replacement and use of any assemblies, parts and components not approved by the manufacturer.
- Unit misuse.
- Violation of the unit installation regulations by the user.
- Violation of the unit control regulations by the user.
- Unit connection to power mains with a voltage different from the one stated in the user's manual.
- Unit breakdown due to voltage surges in power mains.
- Discretionary repair of the unit by the user.
- Unit repair by any persons without the manufacturer's authorization.
- Expiration of the unit warranty period.
- Violation of the unit transportation regulations by the user.
- Violation of the unit storage regulations by the user.
- Wrongful actions against the unit committed by third parties.
- Unit breakdown due to circumstances of insuperable force (fire, flood, earthquake, war, hostilities of any kind, blockades).
- Missing seals if provided by the user's manual.
- Failure to submit the user's manual with the unit purchase date stamp.
- Missing payment paperwork certifying the unit purchase.



FOLLOWING THE REGULATIONS STIPULATED HEREIN WILL ENSURE A LONG AND TROUBLE-FREE OPERATION OF THE UNIT.



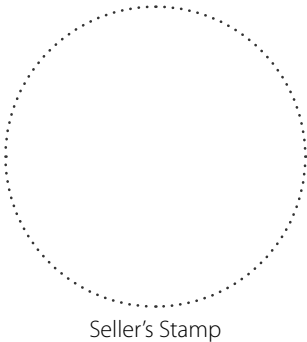
USER'S WARRANTY CLAIMS SHALL BE SUBJECT TO REVIEW ONLY UPON PRESENTATION OF THE UNIT, THE PAYMENT DOCUMENT AND THE USER'S MANUAL WITH THE PURCHASE DATE STAMP.

CERTIFICATE OF ACCEPTANCE

Unit Type	Centrifugal fan
Model	Centro_____
Serial Number	
Manufacture Date	
Quality Inspector's Stamp	

SELLER INFORMATION

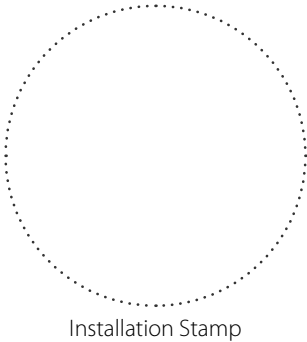
Seller	
Address	
Phone Number	
E-mail	
Purchase Date	
This is to certify acceptance of the complete unit delivery with the user's manual. The warranty terms are acknowledged and accepted.	
Customer's Signature	



INSTALLATION CERTIFICATE

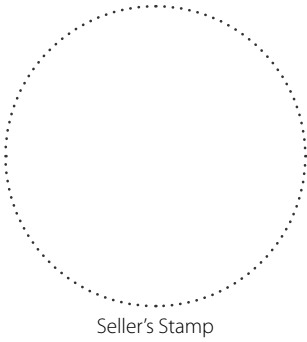
The Centro_____ unit is installed pursuant to the requirements stated in the present user's manual.

Company name	
Address	
Phone Number	
Installation Technician's Full Name	
Installation Date:	Signature:
The unit has been installed in accordance with the provisions of all the applicable local and national construction, electrical and technical codes and standards. The unit operates normally as intended by the manufacturer.	
Signature:	



WARRANTY CARD

Unit Type	Centrifugal fan
Model	Centro_____
Serial Number	
Manufacture Date	
Purchase Date	
Warranty Period	
Seller	





BLAUBERG
Ventilatoren

