

Assembly Guide

WaterUps® 0880 Wicking Kit

1552

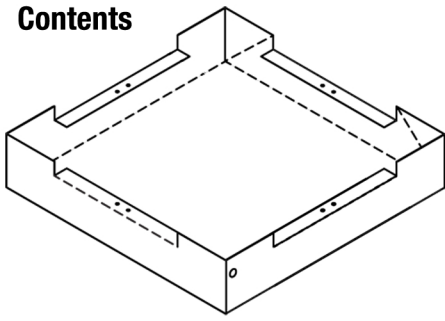
WaterUps® Getting Started page

Our Getting Started page contains lots of helpful information. You can go to it using the link or the QR code below.

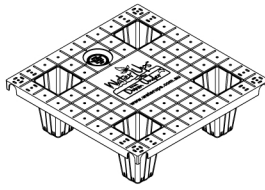
[Getting Started](#) 



Contents



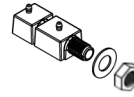
1 x WaterUps® 0880 Reservoir Liner



4 x WaterUps®
Wicking Cell



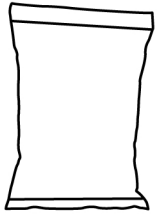
1 x Inlet Pipe
and Cap



1 x Overflow
Pipe



5 x Joiners



1 x 8 L bag
of Perlite

You will need



Approximately 2 square metres
of level ground to build on.



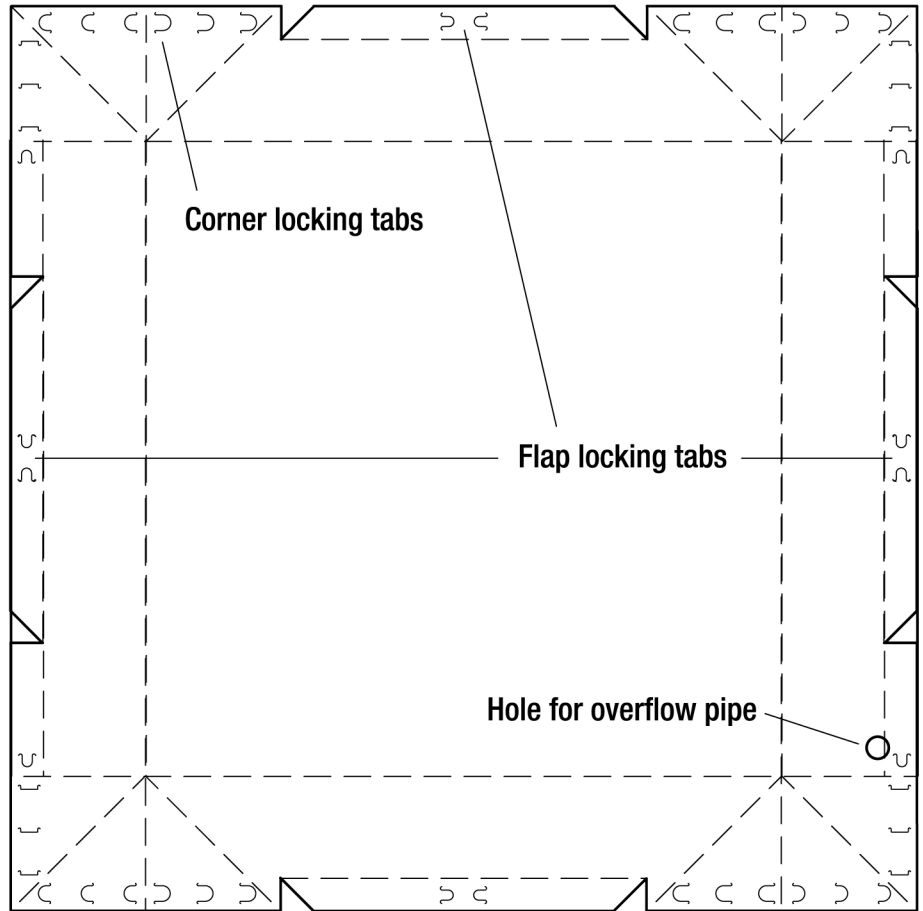
A sharp knife.



Approximately 500ml of water.



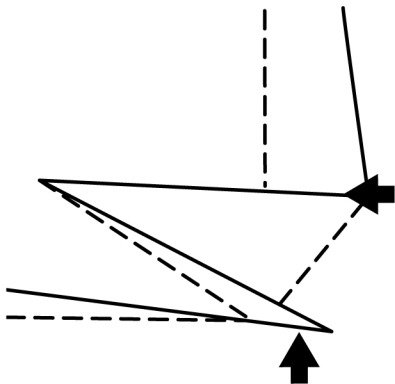
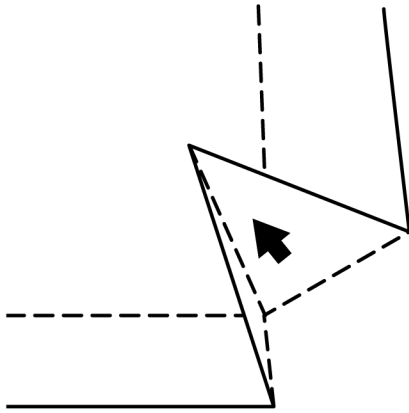
8 x 25 litre bags of good quality
soil or potting mix.



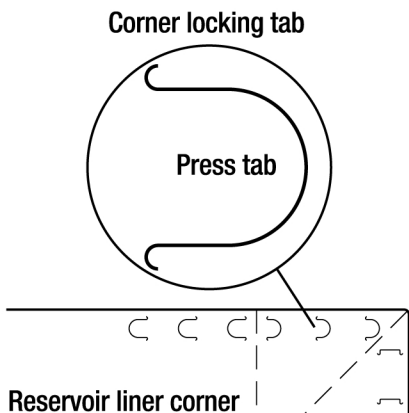
1. Preparing the reservoir liner.

Take the liner and completely unfold it, and lay it flat on the ground as shown in the diagram on page 2.

Next, take the corners and fold them back in on themselves, ensuring that the crease is tight, and goes right to the corner, making it nice and square.

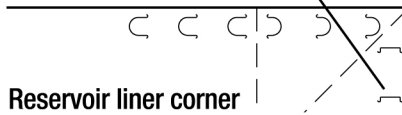
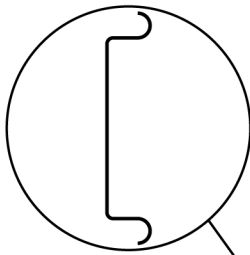


To secure the corners push the three locking tabs through the first two layers of the reservoir liner.



Lock the tabs into the slots in the last layer of the folded liner to secure the corners in place.

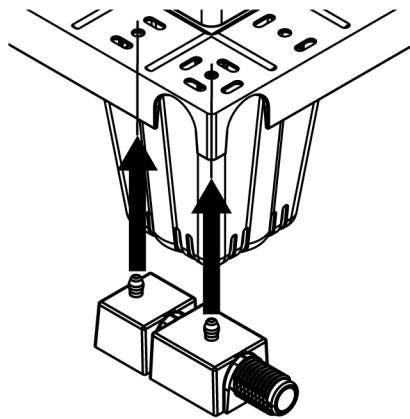
Corner locking slot



2. Creating your wicking bed.

Place the WaterUps reservoir liner in the bed you have created, making sure that the hole in the liner for the overflow pipe lines up with the hole in the bed wall.

Take one of the WaterUps Cells and fit the overflow pipe as shown in the image below.



Place the cell in bed and feed the overflow pipe through the hole in the reservoir liner and the bed wall. Make sure that the cell sits flat on the bottom of the reservoir liner.

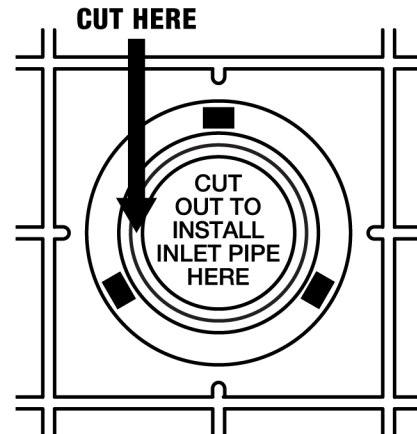
Replace the washer on the overflow pipe and tighten the nut.

Place the next six WaterUps Cells into the reservoir liner, again making sure that they sit flat on the bottom.

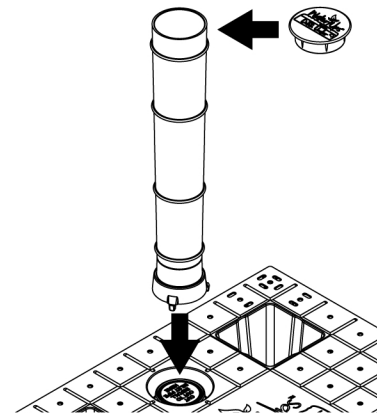
3. Fitting the water inlet pipe.

The next step is to fit the water inlet pipe, but first we have to cut a hole in the top of the last remaining WaterUps Cell to let the water into the reservoir we are creating.

Using a sharp knife cut along the circular groove around the type on the top of the WaterUps Cell as shown in the image below.



The three tabs on the bottom of the water inlet pipe must lock into the three holes in the top of the WaterUps Cell. Apply some pressure to the inlet pipe as you insert it, until it clicks into place in the WaterUps Cell.

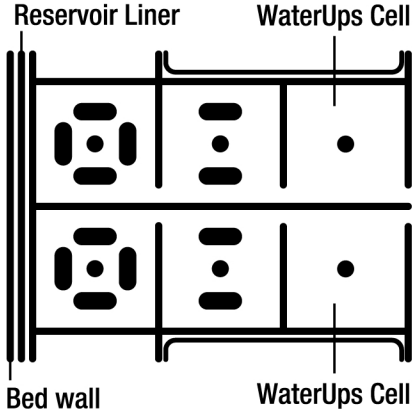


Once the inlet pipe is fitted, place the cell into the last remaining spot in the reservoir liner.

4. Fitting the Joiners.

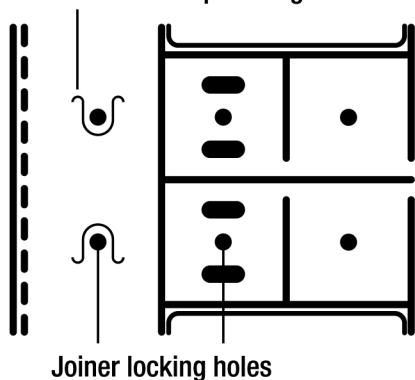
Use the WaterUps Joiners to lock each of the WaterUps Cells together and to secure the folded flaps of the reservoir liner.

Use the following steps to use the joiners to secure the folded flaps of the reservoir liner to the top of the WaterUps Cells.

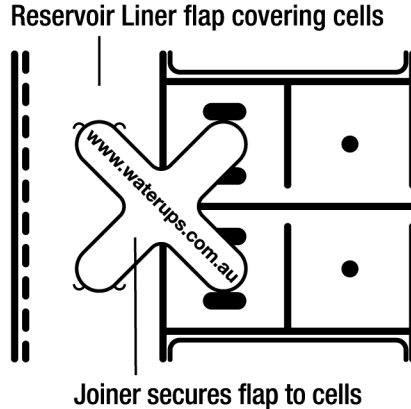


Fold the reservoir liner flap down over the WaterUps Cells and fold the flap locking tabs back under the reservoir liner to expose the Joiner locking holes in the WaterUps Cells.

Reservoir liner flap locking tab

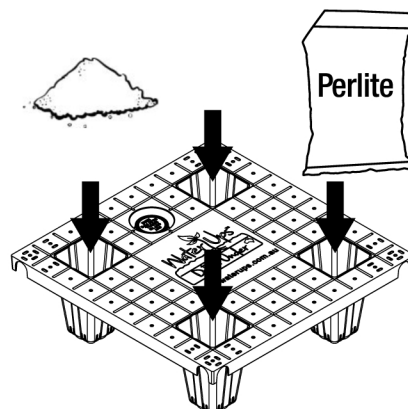


Click the WaterUps Joiner into the locking holes on the WaterUps Cells to secure the reservoir liner.



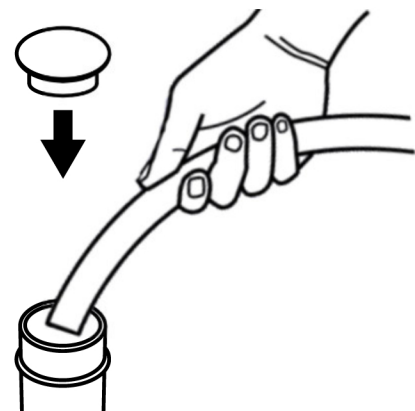
5. Adding perlite to the feet of the WaterUps Cells.

Open the bag of perlite and sprinkle some water over the perlite granules to help stop them from blowing away. Distribute the perlite evenly into all four feet of each of the eight WaterUps Cells.



6. Watering your WaterUps® wicking bed.

To water your wicking bed simply insert a garden hose into the inlet pipe and fill the water reservoir until water starts flowing out of the overflow pipe. Replace the cap when done.



How often you need to refill the reservoir will depend on what plants you are growing, the time of year, and the amount of natural rainfall that you receive.

However, in our experience, periods of up to four weeks are achievable before you will need to refill your planter.

It is recommended that you allow the water level in the wicking bed to go down to at least 1/4 full before refilling. This will assist soil aeration.

To check how much water is in the reservoir simply use a dipstick or set up a moisture sensor system.

Contact Us

Sales

Email: sales@waterups.com.au

Phone: 1300 205 550

General Enquiries

Email: info@waterups.com.au

Account Enquiries

Email: accounts@waterups.com.au

The WaterUps® website is owned and operated by WaterWix Pty Ltd – ABN 58 166 973 011.

The information contained in this document is provided as is and without any warranties of any kind, whether expressed or implied. Users are advised to make their own determination as to the suitability of this information

in relation to their particular purpose or specific circumstances. No responsibility can be accepted by WaterUps®, WaterWix Pty Ltd, or its staff for any loss resulting from any action taken or reliance made by you on any information contained in this document.

Copyright © 2022 WaterWix Pty Ltd. All rights reserved. WaterUps, the WaterUps Logo and Wicking our World are registered trademarks of WaterWix Pty Ltd.

Published: 1 April 2022