

ZEUS 1000W PRO EVO 3.1

MANUAL

ENGLISH - SPANISH - DEUTSCH - ITALIAN - FRENCH - CZECH - ภาษาไทย

LUMATEK ZEUS 1000W PRO EVO 3.1 LED producing
a PPF of 3125 $\mu\text{mol/s}$ achieving a VERY HIGH
EFFICACY of 3.1 $\mu\text{mol/J}$.



LUMATEK

PROFESSIONAL LIGHTING

3.1 EFFICACY
 $\mu\text{mol/J}$

3125 PPF
 $\mu\text{mol/s}$



LVD
CERTIFIED

**PLUG
PLAY**
C

**CONTROL
TECHNOLOGY**

5
YEAR
WARRANTY



RoHS

EMI
SUPPRESSION &
EMC
CERTIFIED

IP65

DESIGNED
& ENGINEERED
BY LUMATEK
IN THE UNITED
KINGDOM



LUMATEK ZEUS 1000W PRO EVO 3.1 MANUAL

ENGLISH

TABLE OF CONTENTS

1. **Introduction**
2. **Product Description**
3. **Product Information and Specifications**
 - 3.1 General product information
 - 3.2 Technical specifications
 - 3.3 Fixture dimensions
 - 3.4 Spectral quantum distribution graph
 - 3.5 Light distribution curve
 - 3.6 Environment
 - 3.7 Legal
4. **Safety Recommendations and Warnings**
5. **Contents**
6. **Installation**
 - 6.1 Fixture assembly & installation
 - 6.2 Connect the LED light bars
 - 6.3 Changing and replacing light bars and modular use
 - 6.4 Installing the fixture
 - 6.5 Connecting the manual dimmer or external lighting controller
 - 6.6 Connecting fixtures in series for external control
 - 6.7 Connecting the LED fixture to the mains
7. **Precautions When Using the LED Fixture**
8. **Inspection, Maintenance and Repair**
9. **Storage and Disposal**
10. **Warranty**

1. INTRODUCTION

Thank you for purchasing the LUMATEK ZEUS 1000W PRO EVO 3.1 linear multi-light bar LED fixture. This manual describes how to install and use the ZEUS Pro fixture; please read this manual thoroughly before attempting to install or operate any Lumatek ZEUS Series system. If you are not comfortable with the installation of high performance lighting systems, you should seek the services of a qualified installation professional.

2. PRODUCT DESCRIPTION

The LUMATEK ZEUS 1000W PRO EVO 3.1 is an electronic horticultural LED fixture using a linear array design with ten 100W LED light bars and an intelligent driver making the fixture externally controllable & dimmable. The LUMATEK ZEUS 1000W PRO EVO 3.1 fixture is an ultra-high performance full-cycle top lighting solution for commercial horticulture cultivation, with the power and flexibility to scale from propagation and cloning through vegetative growth to higher light intensities in bloom. In this manual the LUMATEK 1000W PRO EVO 3.1 will be referred to as: "the LED fixture".

3. PRODUCT INFORMATION AND SPECIFICATIONS

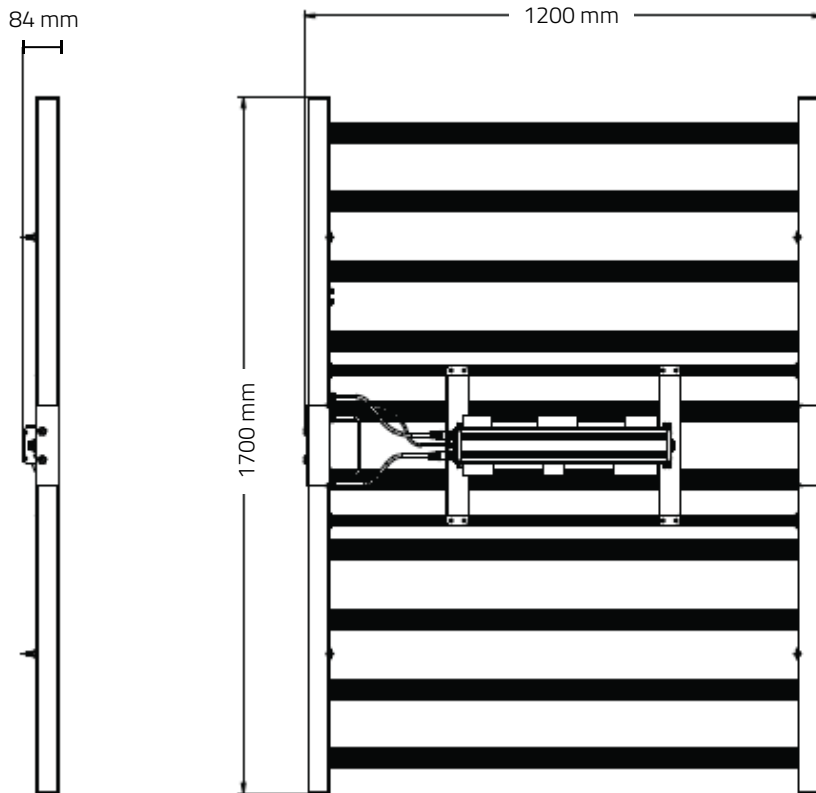
3.1 General Product Information

PRODUCT NAME	ZEUS 1000W PRO EVO 3.1
MANUFACTURER	LUMATEK EU
PRODUCT CODE	LUMLED027
EAN	5060560032212

3.2 Technical Specifications

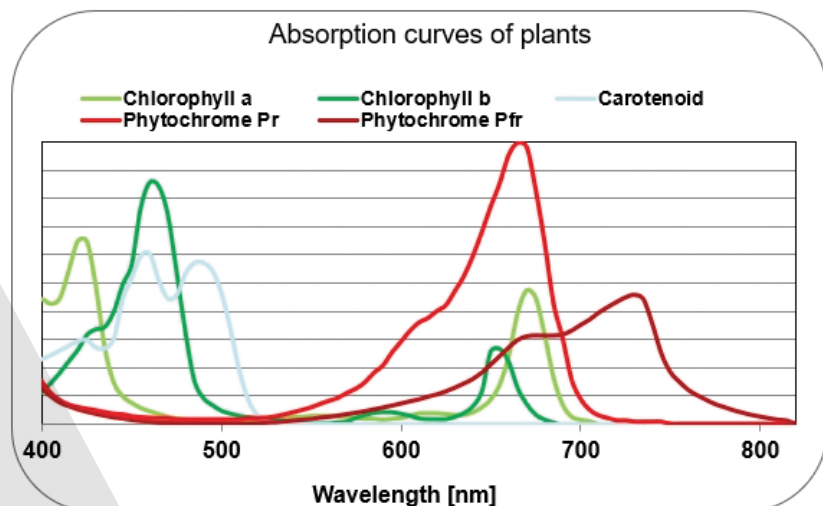
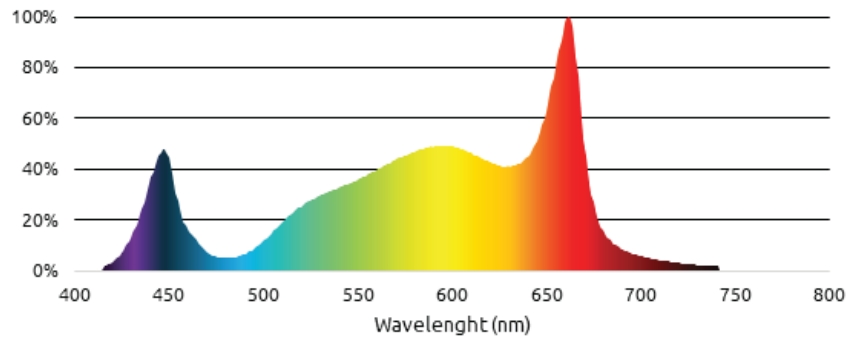
PPF	3125 $\mu\text{mol/s}$
EFFICACY	3.1 $\mu\text{mol/J}$
INPUT POWER at 230V AC 100%	1025W ($\pm 5\%$) @ 230 V AC
INPUT VOLTAGE	220-240 V AC 50/60 Hz
INPUT CURRENT at 230V AC 100%	4.9 A
WORKING TEMPERATURE	-10 °C – +40 °C
WORKING HUMIDITY	20% - 30%
POWER FACTOR	> 0.95
LIFE SPAN	L90 > 60000 h
SPECTRUM	Full-Spectrum F
LIGHT SOURCE	SAMSUNG LM301H EVO OSRAM 4.24
DIMENSIONS (LxWxH)	1700 x 1200 x 84 mm
WEIGHT	18 Kg
BEAM ANGLE	120°
MANUAL DIM/EXTERNAL LIGHTING CONTROLLER	0 - 10 V analog protocol
WATERPROOF / DUSTPROOF	IP65

3.3 Fixture Dimensions

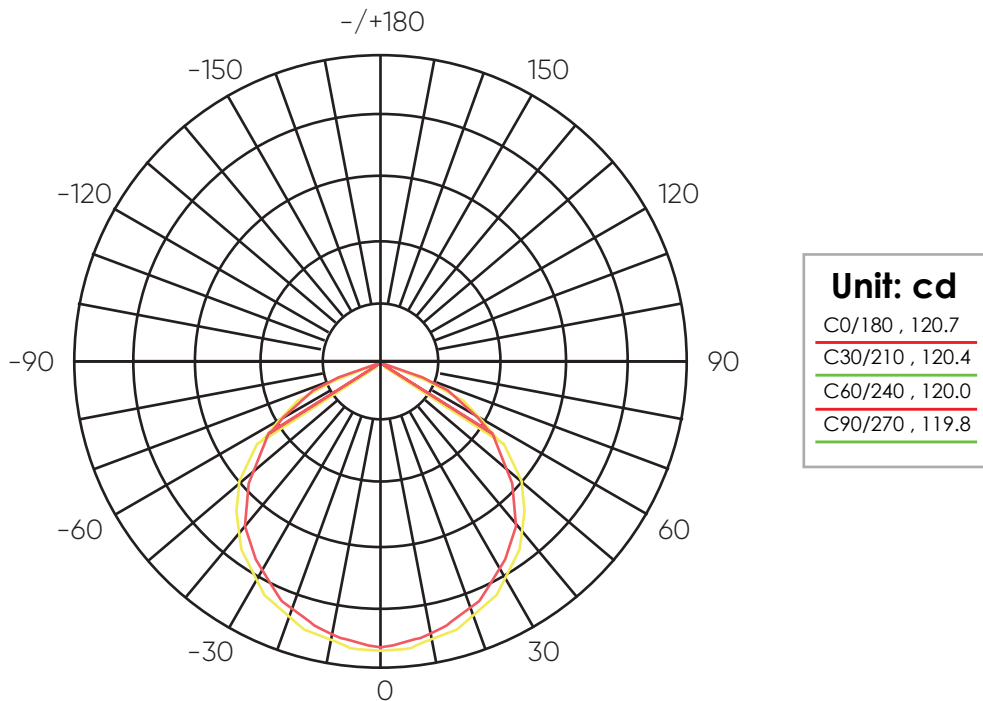


3.4 Spectral Quantum Distribution Graph

The ZEUS Pro series use higher spec highly efficient top bin horticultural white & red LEDs to create a balanced full spectrum of quality light ideal for photosynthesis.



3.5 Light distribution curve



3.6 Environment

The LED fixture is intended to be used in climate-controlled grow rooms and indoor farms. The product may be used in damp environments but may not be used in wet environments or outdoors. The product will operate in ambient temperatures from -10 °C to 40 °C but will function at optimal level between 20 °C to 30 °C. The product will operate in 20% – 90% humidity, non-condensing.

3.7 Legal

This product is designed with precision and quality in mind, our product complies seamlessly with industry standards, guaranteeing a user experience that meets and exceeds the expected norms.

4. SAFETY RECOMMENDATIONS AND WARNINGS

Warning! Carefully read the warnings below before using or working with the product!

- Always adhere to the local rules and regulations when installing or using the LED fixture.
- Do not open or disassemble the LED fixture as it contains no serviceable parts inside. Opening or modifying the LED fixture can be dangerous and will void the warranty.
- Do not use the LED fixture when either the LED fixture or its power cable are damaged. Replace the power cable with correctly rated cable only.
- Modifications to the cables can lead to unwanted electromagnetic effects which may make the product not comply with legal requirements.
- Do not expose the LED fixture to:
 - Condensing humidity, heavy mist or direct spray;
 - Ambient temperatures outside the specified range;
 - Dust and contamination;
 - Direct sunlight during use or HID light that may heat up the driver.

- Always disconnect the LED fixture from mains before performing any maintenance.
- Always allow for a cool down period of at least 20-30 minutes before touching the LED light bars. Touching the LED bars when the fixture is lit or immediately after may result in burns!
- Natural convection removes heat away from the heatsink. In order for the system too properly cool itself, at least 5cm of space is required between the fixture and the roof of your grow area. Do not use abrasive materials or aggressive cleaning agents to clean the LED fixture as this may damage the secondary optics. Instead use a clean dry fabric/cloth.
- Do not use the LED fixture near flammable, explosive or reactive substances. The LED fixture can reach temperatures of 40 °C.
- Do not use sulphur vaporizers or water misters.
- The installation and use of the LED fixture is the responsibility of the end user. Incorrect use or installation can lead to failure and damage to the LED fixture. Damage to the LED fixture and electronic circuitry as a result of incorrect installation and use revokes the warranty.

5. CONTENTS

1x USER MANUAL

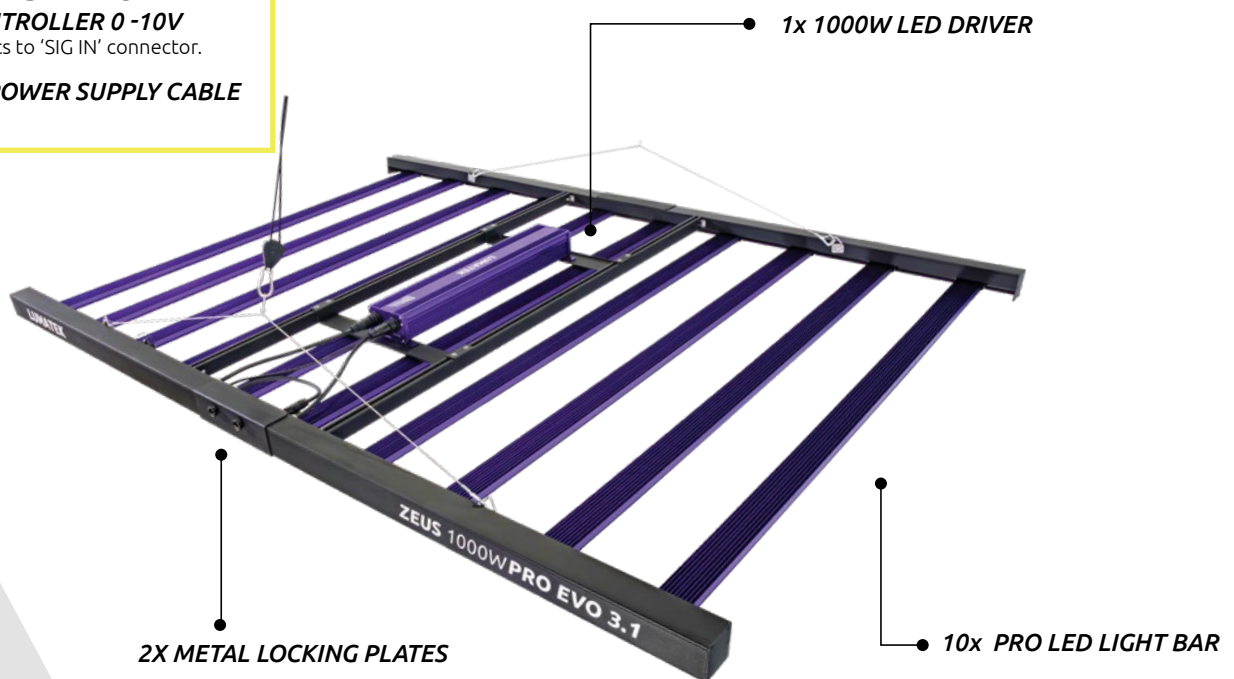
2X METAL CABLE HANGERS

1x DIMMING

CONTROLLER 0 -10V

Connects to 'SIG IN' connector.

1x 240V POWER SUPPLY CABLE



6. INSTALLATION

Warning! Mounting and installing the LED fixture must be in accordance with the applicable local laws and regulations.

Warning! The installer is responsible for correct and safe installation.

Warning! Ensure the local cabling can support the voltage and current requirements of the LED fixture.

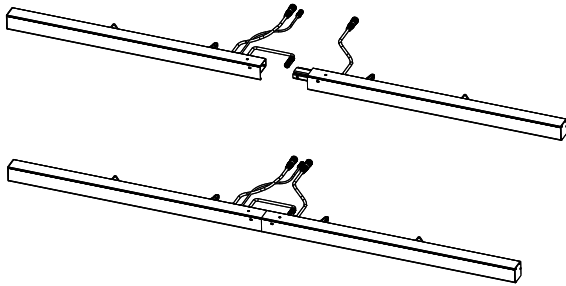
Warning! Avoid coiled cables and keep mains leads separated to help prevent electromagnetic interference.

Warning! Do not connect or disconnect the LED fixture under load.

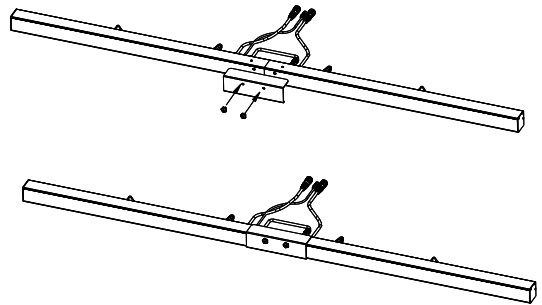
6.1 Fixture assembly & installation

The fixture frame consists of various parts included in the packaging. Begin by assembling the frame parts after removing them from the packaging. Two metal locking plates are provided to secure the bar unions.

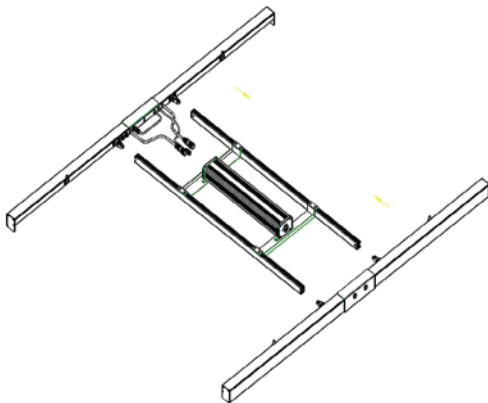
Step 1: Align and join the bars that have the cables. Repeat the process to the other bars.



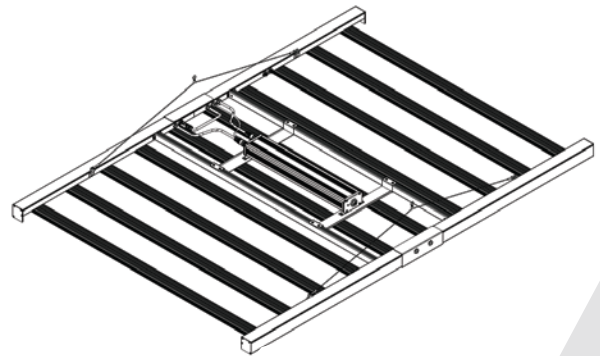
Step 2: Use the two metal locking plates to ensure bars unions.



Step 3: Connect assembled bars into frame.

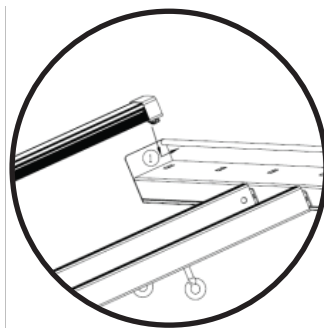


Step 4: Connect cables and attach the metal hangers to the fixture. Connect the LED bars.

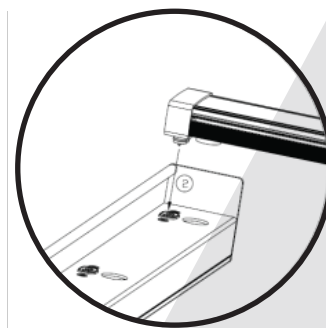


6.2 Connect the LED light bars

Warning! The light bars are shipped with protective plastic covers over the diodes. Please ensure these protective covers are removed before use!



Install hook end first; insert hook into square hole.



Then insert the other end; align the light bar's magnet connector with the round hole on Frame connector and insert male pin into female socket. Ensure magnetic connection is secure.

6.3 Changing and replacing light bars and modular use

The LED fixture's modular design uses intelligent LED drivers which can decrease or increase power to match the amount of 100 W light bars installed on the fixture automatically. If not all light bars are required, the drivers will only draw power required for the amount of light bars connected eg if six light bars are connected the drivers will only draw 600 W to power them.

Warning! At least one light bar must be installed in the fixture before switching on.

6.4 Installing the fixture

Warning! Mount the system to something that can hold the weight of the LED fixture.

Ensure all light bars are installed correctly and are secure.
Carefully turn the fixture over and attach the metal cable hangers to the mounting hooks.
Hang the fixture in required position and height.
For optimal performance; position fixture 50 -100 cm above plant canopy for a 2 x 1.5 m light spread.
Ensure the fixture is hung horizontally.

Attach cable hangers
to mounting hooks.



6.5 Connecting the manual dimmer or external lighting controller

The dimmer control or lighting controller is connected to the 'SIG IN' connector on the fixture frame. This enables light intensity (PPF output) to be adjusted according to requirement. The LED fixture light intensity can be adjusted without changing relative spectral power distribution or losing efficiency.

Remove dust cap and ensure male & female connectors are correctly aligned and then push together until click-locked. To disconnect; turn twist-lock anti-clockwise and pull apart.

Connect manual dimmer cable or lighting
controller cable to SIG IN port (left socket).



6.6 Connecting fixtures in series for external control

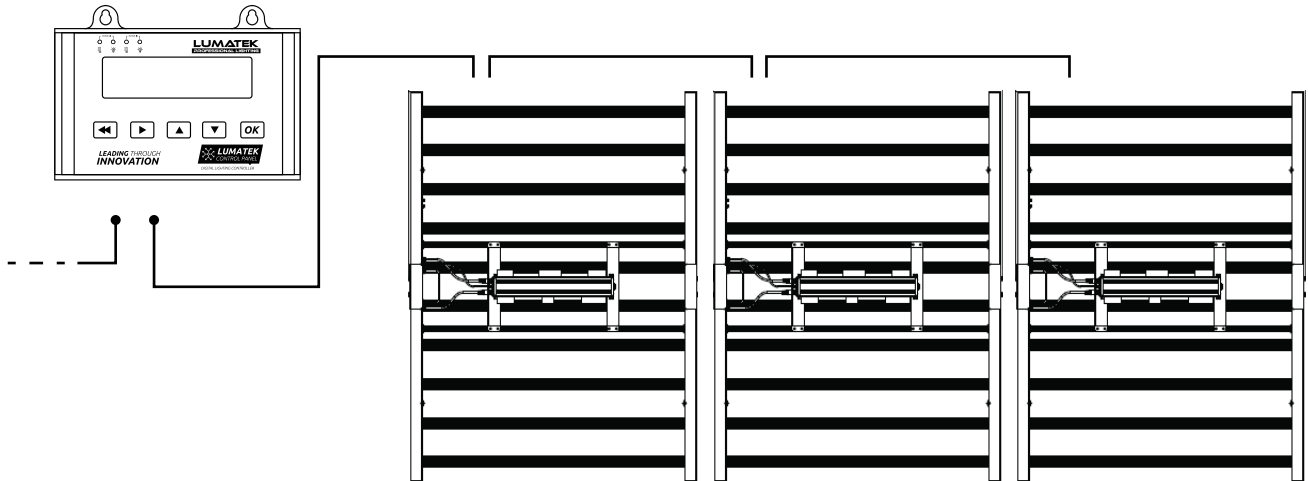
For detailed instructions please refer to the Lumatek Control Panel manual.

Position and hang each fixture appropriately. ZEUS series fixtures use 0-10 V signal protocol for control.

Connect controller output signal cable to fixture 1 SIG IN connector.

Connect daisy-chain control signal cable from fixture 1 SIG OUT connector to fixture 2 SIG IN connector.

Continue to connect fixtures in series for up to 50 fixtures per zone of the controller.



6.7 Connecting the LED fixture to the mains

Warning! Make sure mains power is switched off.

Warning! Ensure the power supply cable is not coiled and does not touch any hot surfaces.

Warning! Connect the cables according to local rules, safety regulations and electrical code.

Warning! If not using an external lighting controller ensure external switching gear can cope with the inrush current of the LED fixture. Always use a digital timer contactor suitable for switching a capacitive load.

Ensure the LED fixture power supply cable twist-lock connector is correctly aligned to the AC INPUT connector on the fixture frame and push together until click-locked.

Connect mains power plug to switching gear/power supply.
Switch on mains power.

7. PRECAUTIONS WHEN USING THE LED FIXTURE

Warning! Always ensure at least one light bar is connected to the fixture before switching on. The Zeus PRO has an intelligent LED driver which will increase or decrease power to match the amount of light bars connected to the system automatically.

Warning! Always wait 20 – 30 minutes for the LED light bars to cool down.

8. INSPECTION, MAINTENANCE AND REPAIR

Warning! Disconnect the LED fixture from mains before performing any maintenance or repairs.

Warning! Do not connect or disconnect the LED fixture under load.

Warning! Do not open or disassemble the LED fixture, it contains no serviceable parts inside. Opening the LED fixture can be dangerous and will void the warranty.

Warning! Always wait 20 – 30 minutes for the LED light bars to cool down.

Caution! Do not clean the LED fixture with detergents, abrasives or other aggressive substances.

Regularly check the LED fixture for dust or dirt build up. Clean if necessary. Contamination may cause overheating and decreased performance.

Clean the outside of the LED fixture using a dry or damp cloth.

Regularly check the cables of the LED fixture to ensure it is undamaged.

9. STORAGE AND DISPOSAL

Store the LED fixture in a dry and clean environment, with an ambient temperature of 25 °C – 55 °C. The product must not be discarded as unsorted municipal waste but must be collected separately for the purpose of treatment, recovery and environmentally sound disposal.

10. WARRANTY

Lumatek warrants the mechanical and electronic components of their product to be free of defects in material and workmanship if used under normal operating conditions for a period of five (5) years from the original date of purchase. If the product shows any defects within this period and that defect is not due to user error or improper use Lumatek shall, at its discretion, either replace or repair the product using suitable new or reconditioned products or parts. In case Lumatek decides to replace the entire product, this limited warranty shall apply to the replacement product for the remaining initial warranty period, i.e. five (5) years from the date of purchase of the original product. For service; return the product to your shop with the original sales receipt.

Lumatek products sold in the territory of the Swiss Confederation are manufactured with a separate serial number series and labelled as exclusively for sale in the Swiss Confederation market, and available only for licenced Swiss distributors. If you are an end customer resident or domiciled in the Swiss Confederation, the Lumatek Warranty is only valid for products marked with the serial number series used exclusively in this market.

LUMATEK ZEUS 1000W PRO EVO 3.1 LED MANUAL

ESPAÑOL

TABLA DE CONTENIDO

1. **Introducción**
2. **Descripción del producto**
3. **Información del producto y especificaciones**
 - 3.1 Información general del producto
 - 3.2 Especificaciones técnicas
 - 3.3 Dimensiones de la luminaria
 - 3.4 Gráfico de distribución cuántica espectral
 - 3.5 Curva de distribución luminosa
 - 3.6 Medio Ambiente
 - 3.7 Legal
4. **Recomendaciones de seguridad y advertencias**
5. **Contenido**
6. **Instalación**
 - 6.1 Montaje e instalación de accesorios
 - 6.2 Conectar las barras de luz LED
 - 6.3 Cambio y sustitución de barras luminosas y uso modular
 - 6.4 Instalación de la luminaria
 - 6.5 Conexión del regulador manual o del controlador de iluminación externo
 - 6.6 Conexión de luminarias en serie para control externo
 - 6.7 Conexión de la luminaria LED a la red eléctrica
7. **Precauciones al usar el dispositivo LED**
8. **Inspección, mantenimiento y reparación**
9. **Almacenamiento y eliminación**
10. **Garantía**

1. INTRODUCCIÓN

Muchas gracias por comprar la luminaria LED de barra multiluz lineal LUMATEK ZEUS 1000W PRO EVO 3.1. El presente manual describe cómo instalar y usar la luminaria Zeus Pro; por favor lea este manual detenidamente antes de intentar u operar cualquier sistema de la serie Zeus de Lumatek. Si usted no se siente cómodo con la instalación de sistemas de iluminación de alto rendimiento, por favor busque los servicios de un profesional de instalación calificado.

2. DESCRIPCIÓN DEL PRODUCTO

La LUMATEK ZEUS 1000W PRO EVO 3.1 es una luminaria LED hortícola electrónica que incorpora un diseño de matriz lineal con diez barras de luz LED de 100W y un controlador inteligente que hace que la luminaria sea controlable y regulable de forma externa. La luminaria ZEUS ZEUS 1000W PRO EVO 3.1 es una solución de iluminación superior de ciclo completo de ultra alto rendimiento para el cultivo de horticultura comercial, con la potencia y la flexibilidad para escalar desde la propagación y la clonación a través del crecimiento vegetativo hasta mayores intensidades lumínicas en floración.

En este manual, el LED LUMATEK ZEUS 1000W PRO EVO 3.1 se denominará "la luminaria LED".

3. INFORMACIÓN Y ESPECIFICACIONES DEL PRODUCTO

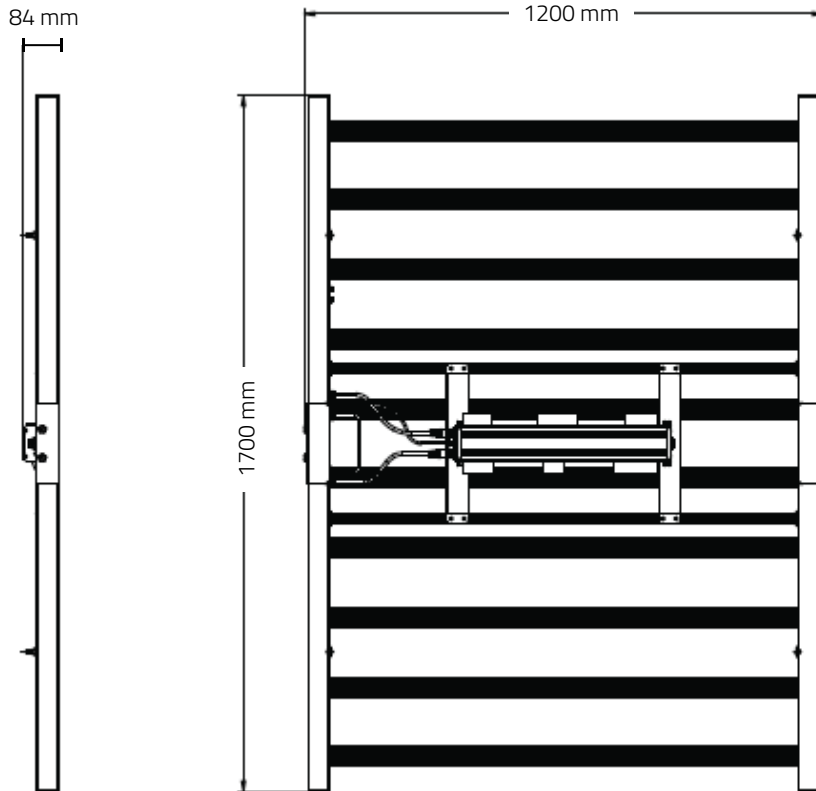
3.1 Información general del producto

NOMBRE DEL PRODUCTO	ZEUS 1000W PRO EVO 3.1
CÓDIGO DE PRODUCTO	LUMLED027
FABRICANTE	LUMATEK EU
EAN	5060560032212

3.2 Especificaciones técnicas

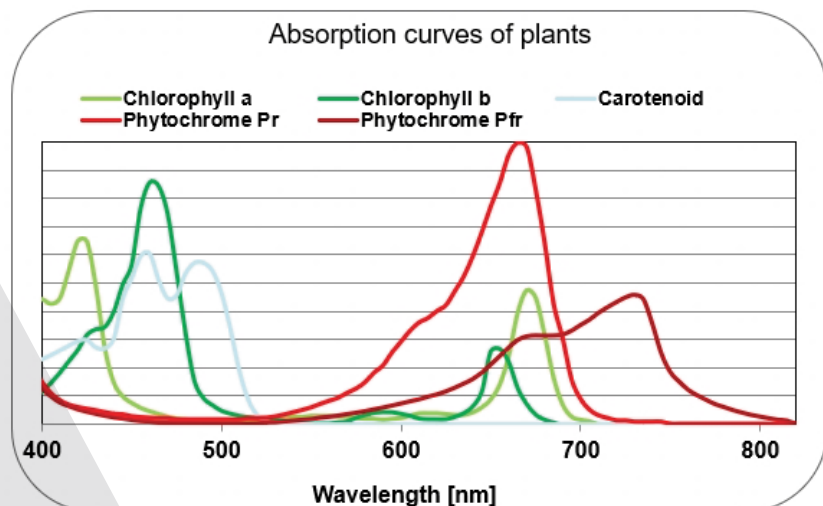
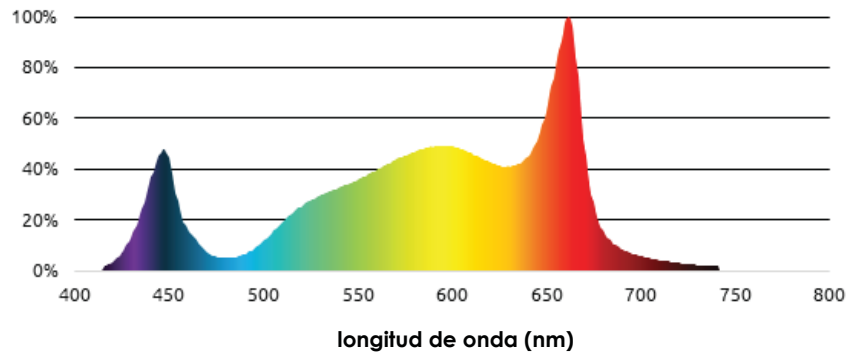
PPF	3125 $\mu\text{mol/s}$
EFICACIA	3.1 $\mu\text{mol/J}$
POTENCIA DE ENTRADA a 230VAC 100% o/p	1025W ($\pm 5\%$) @ 230 V AC
VOLTAJE DE ENTRADA	220-240 V AC 50/60 Hz
CORRIENTE DE ENTRADA a 230V AC 100% o/p	4.9 A
TEMPERATURA DE FUNCIONAMIENTO	-10 °C – +40 °C
HUMEDAD DE TRABAJO	20% - 30%
FACTOR DE POTENCIA	> 0.95
ESPERANZA DE VIDA	L90 > 60000 h
SPECTRO	Espectro completo F
FUENTE DE LUZ	SAMSUNG LM301H EVO OSRAM 4.24
DIMENSIONES (LxWxH)	1700 x 1200 x 84 mm
PESO	18 Kg
ÁNGULO DE HAZ	120°
ATENUADOR MANUAL / CONTROLADOR DE ILUMINACIÓN EXTERNA	0 - 10 V Protocolo analógico
IMPERMEABLE / A PRUEBA DE POLVO	IP65

3.3 Dimensiones del accesorio

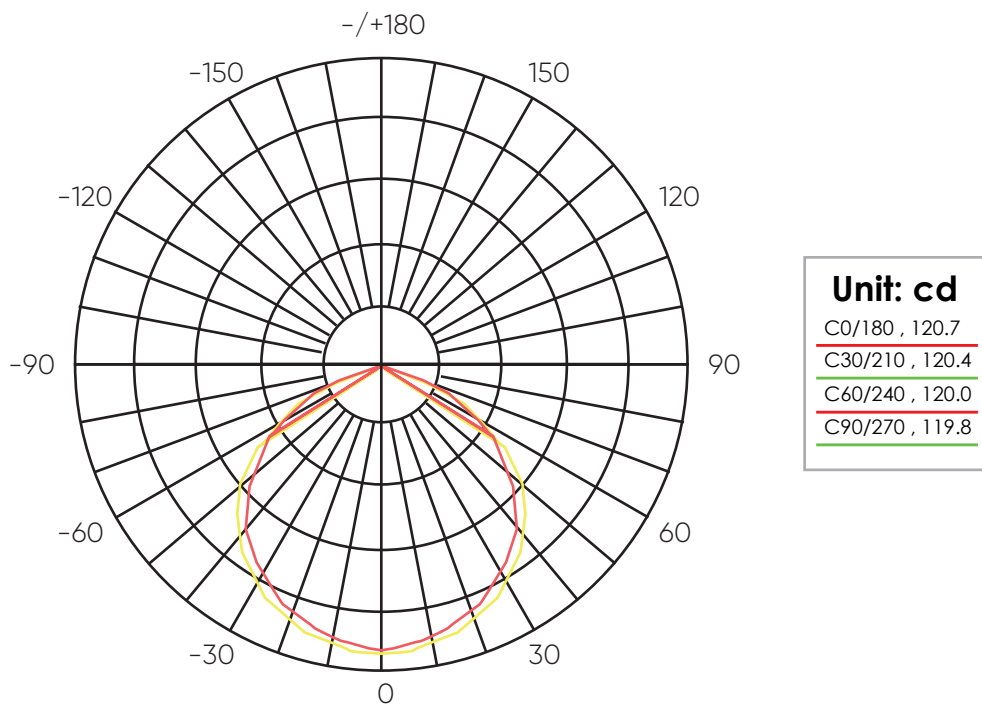


3.4 Gráfico de distribución cuántica espectral

La serie Zeus Pro utiliza LEDs blancos y rojos hortícolas altamente eficientes de alta eficiencia para crear un espectro completo equilibrado de luz de calidad ideal para la fotosíntesis.



3.5 Curva de distribución de luz



3.6 Medio ambiente

La luminaria LED está diseñado para ser utilizado en salas de cultivo con clima controlado, granjas interiores e invernaderos. El producto puede usarse en ambientes húmedos, pero no en ambientes mojados o al aire libre. El producto funcionará a temperaturas ambiente de -20°C a 40 °C, pero funcionará a un nivel óptimo entre 20°C y 30°C. El producto funcionará en 20% - 90% de humedad, sin condensación.

3.7 Legal

Este producto está diseñado con precisión y calidad en mente, cumpliendo perfectamente con los estándares de la industria, garantizando una experiencia del usuario que cumple y supera las normas esperadas.

4. RECOMENDACIONES DE SEGURIDAD Y ADVERTENCIAS

¡Advertencia! ¡Por favor lea atentamente las siguientes advertencias antes de usar o trabajar con el producto!

- Siempre siga las reglas y regulaciones locales al instalar o usar la luminaria LED.
- No abra ni desmonte la luminaria LED, ya que no contiene piezas reparables en su interior. El abrir o modificar la luminaria LED puede ser peligroso y anulará la garantía.
- No utilice la luminaria LED cuando la luminaria LED o su cable de alimentación estén dañados. Reemplace el cable de alimentación solo con un cable con clasificación correcta.
- Las modificaciones en los cables puede dar lugar a efectos electromagnéticos no deseados, lo que hace que el producto no cumpla con los requisitos legales.
- No exponga el dispositivo LED a:
 - Humedad condensada, neblina intensa, neblina o rociado directo;
 - Temperaturas ambiente fuera del rango especificado;
 - Polvo y contaminación;
 - Luz solar directa durante el uso o luz HID que podría calentar el balasto.

- Siempre desconecte el dispositivo de la red eléctrica antes de realizar cualquier mantenimiento.
- Siempre permita un período de enfriamiento de al menos 20-30 minutos antes de tocar las barras de luz LED. ¡El tocar las barras LED cuando el dispositivo está encendido o inmediatamente después puede provocar quemaduras!
- La convección natural elimina el calor del disipador térmico. Para que el sistema pueda enfriarse bien, se requiere al menos 5 cm de espacio entre la luminaria y el techo de su área de cultivo.
- Por favor no utilice materiales abrasivos o agentes de limpieza agresivos para limpiar la luminaria LED, ya que esto puede dañar la óptica secundaria. En su lugar, use una tela limpia y seca.
- No utilice el dispositivo cerca de sustancias inflamables, explosivas o reactivas. La luminaria LED puede alcanzar temperaturas de 40 °C.
- No use vaporizadores de azufre o agua pulverizada.
- La instalación y el uso del dispositivo son responsabilidad del usuario final. El uso o una instalación incorrecta pueden provocar fallas y daños en la luminaria LED. El daño a la luminaria LED y a los circuitos electrónicos como resultado de una instalación y uso incorrecto revocará la garantía.

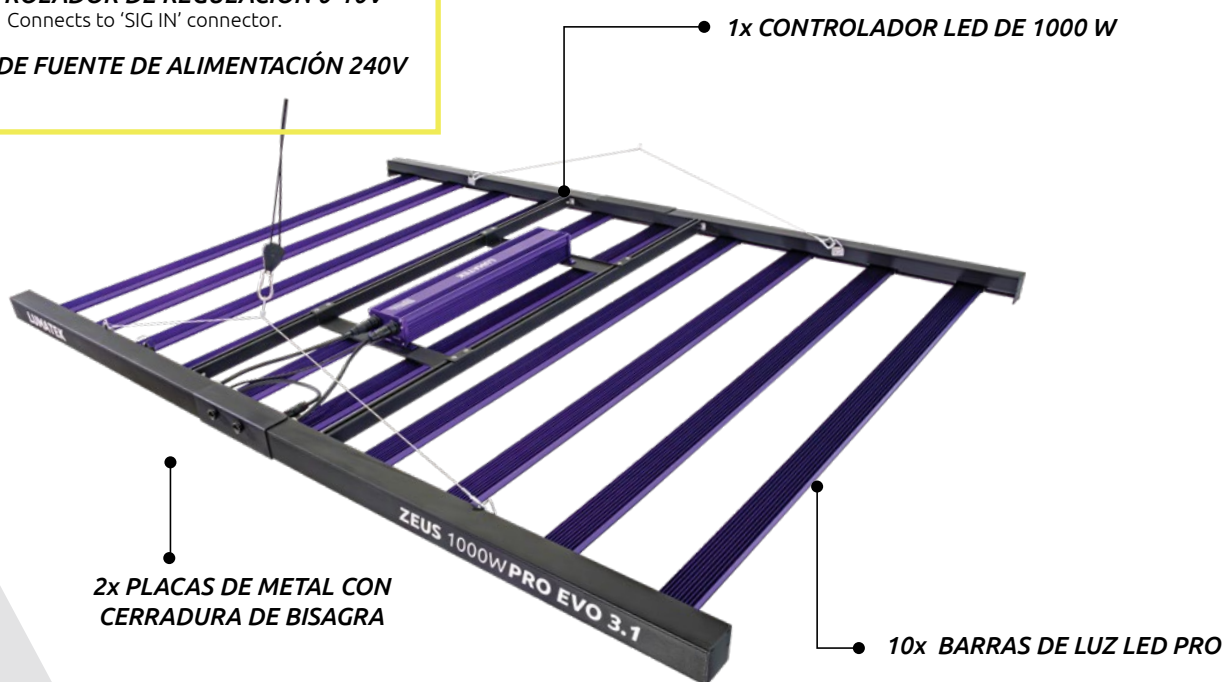
5. CONTENIDO

1x MANUAL DE USUARIO

2x PERCHAS METÁLICAS PARA CABLES

1x CONTROLADOR DE REGULACIÓN 0-10V
Connects to 'SIG IN' connector.

1x CABLE DE FUENTE DE ALIMENTACIÓN 240V



6. INSTALACIÓN

¡Advertencia! El montaje e instalación de la luminaria LED debe realizarse de acuerdo con las leyes y regulaciones locales aplicables.

¡Advertencia! El instalador tiene la responsabilidad de una instalación correcta y segura.

¡Advertencia! Por favor asegúrese que el cableado local pueda soportar los requisitos de voltaje y corriente del dispositivo.

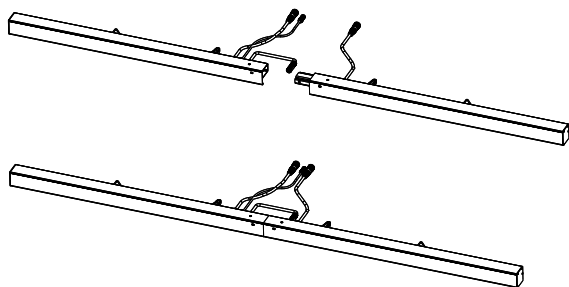
¡Advertencia! Evite los cables en espiral y mantenga los cables de alimentación separados para ayudar a evitar interferencias electromagnéticas.

¡Advertencia! No conecte ni desconecte el dispositivo LED bajo carga.

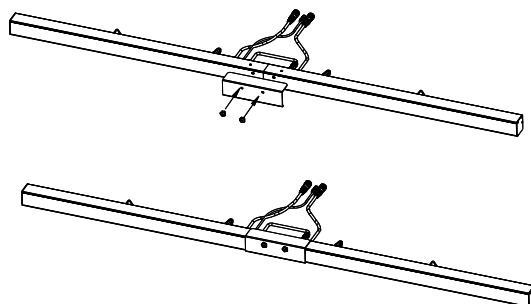
6.1 Montaje e instalación de accesorios

El marco de la luminaria está formado por varias piezas incluidas en el embalaje. Empiece por el montaje de las piezas del marco después de retirarlas del embalaje. Se suministran dos placas metálicas de bloqueo para fijar las juntas de las barras.

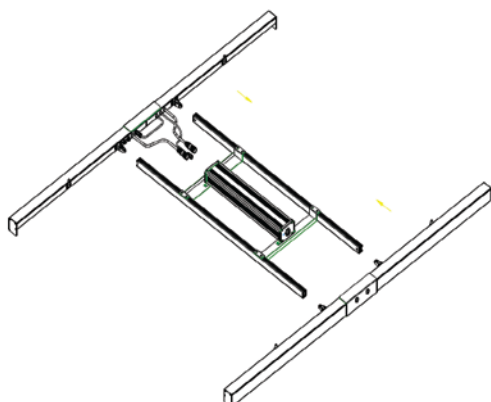
Paso 1: Alinee y junte las barras que contienen los cables. Repita el proceso con las otras barras.



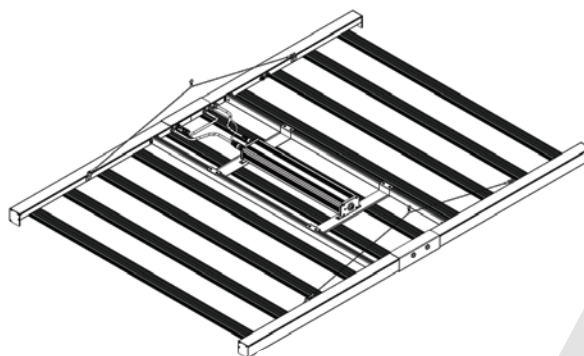
Paso 2: Utilice las dos placas metálicas de bloqueo para asegurar la unión de las barras.



Paso 3: Conecte las barras ya montadas en el marco.

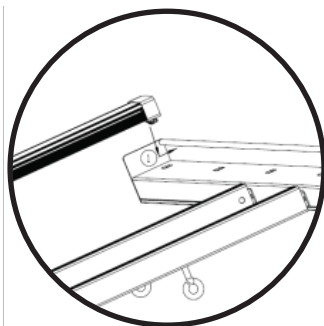


Paso 4: Conecte los cables y fije los ganchos metálicos a la luminaria. Conecte las barras LED.

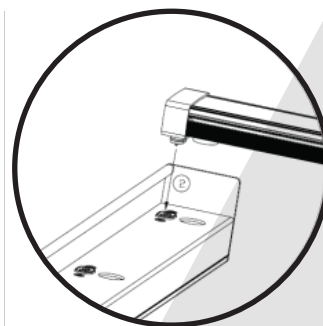


6.2 Conectar las barras de luz LED

¡Atención! Las barras de luz se envían con cubiertas protectoras de plástico sobre los diodos. Asegúrese de quitar estas fundas protectoras antes de usar.



Instale primero el extremo del gancho; inserte el gancho en el orificio cuadrado



Posteriormente, inserte el otro extremo; alinee el conector magnético de la barra de luz con el orificio redondo del conector del marco e inserte el pasador macho en la toma hembra. Asegúrese que la conexión magnética sea segura.

6.3 Cambio y sustitución de barras luminosas y uso modular

El diseño modular de la lámpara LED utiliza controladores LED inteligentes que pueden disminuir o aumentar la potencia para que coincida con la cantidad de barras de luz de 100 W instaladas en el dispositivo automáticamente. Si no se necesitan todas las barras de luz, los controladores sólo consumirán la energía necesaria para la cantidad de barras de luz conectadas, por ejemplo, si se conectan seis barras de luz, los controladores sólo consumirán 600 W para alimentarlas.

¡Advertencia! Se debe instalar al menos una barra de luz en el dispositivo antes de encenderlo.

6.4 Instalación de la luminaria

¡Advertencia! Monte el sistema en algo que pueda soportar el peso de la luminaria LED.

Asegúrese que todas las barras de luz estén instaladas correctamente y sean seguras. Con cuidado, gire el dispositivo y conecte los ganchos de cable de metal a los ganchos de montaje. Cuelgue el dispositivo en la posición y altura requeridas. Para un rendimiento óptimo, coloque el aparato entre 50 y 100 cm por encima de la copa de la planta para una distribución de la luz de 1,5 x 2 m. Asegúrese que la luminaria esté colgada horizontalmente.

Fije los colgadores de cables a los ganchos de montaje.



6.5 Conexión del regulador manual o del controlador de iluminación externo

El control del dimmer o el controlador de iluminación se conecta al conector 'SIG IN' en el marco de la luminaria. Esto permite ajustar la intensidad de luz (salida PPF) de acuerdo con los requisitos. La intensidad de la luz de la luminaria LED se puede ajustar sin cambiar la distribución de potencia espectral relativa ni perder eficiencia.

Retire la tapa antipolvo y asegúrese que los conectores macho y hembra estén correctamente alineados y, a continuación, empuje juntos hasta que se bloqueen por clic. Para desconectar, gire el cierre giratorio en sentido antihorario y jálalo.



Conecte el cable de atenuación manual o el cable del controlador de iluminación al puerto SIG IN (zócalo izquierdo).

6.6 Conexión de luminarias en serie para control externo

Para obtener instrucciones detalladas, por favor consulte el manual del panel de control de Lumatek.

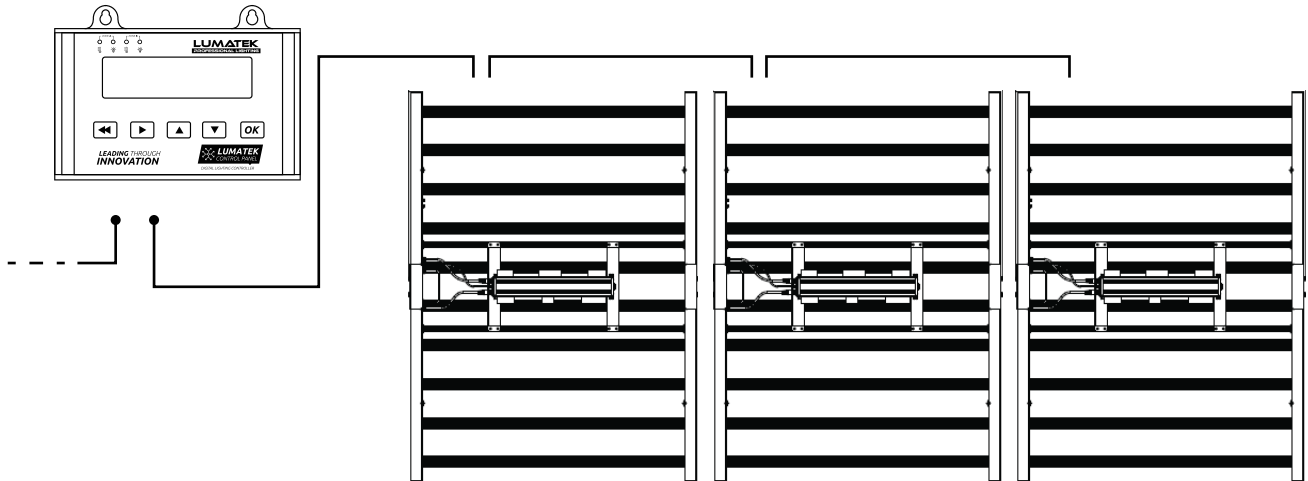
Coloque y cuelgue cada luminaria adecuadamente.

Las luminarias de la serie Zeus utilizan el protocolo de señal 0-10 V para el control.

Conecte el cable de señal de salida del controlador al conector SIG IN del accesorio 1.

Conecte el cable de señal de control en cadena del conector SIG OUT de la luminaria 1 al conector SIG IN de la luminaria 2.

Continúe conectando las luminarias en serie para un máximo de 100 dispositivos por controlador, consulte la fig.



6.7 Conexión de la luminaria LED a la red eléctrica

¡Atención! Por favor asegúrese que la red eléctrica esté apagada.

¡Atención! Asegúrese que el cable de alimentación no esté enrollado y que no toque ninguna superficie caliente.

¡Atención! Conecte los cables de acuerdo con las normas locales, las normas de seguridad y el código eléctrico.

¡Atención! Si no utilizar un controlador de iluminación externo, asegúrese de que el equipo de conmutación externo puede soportar la corriente de irrupción de la luminaria LED. Utilice siempre un contactor temporizador digital adecuado para conmutar una carga capacitiva.

Asegúrese que el conector de bloqueo de giro del cable de la fuente de alimentación del dispositivo LED esté correctamente alineado con el conector AC INPUT del bastidor de la instalación y empuje hasta que se bloquee el clic.

Conecte el enchufe de alimentación de la red a cambio de engranaje/fuente de alimentación.

Encienda la alimentación de red

7. PRECAUCIONES AL USAR EL DISPOSITIVO LED

¡Atención! Asegúrese siempre de que al menos una barra luminosa está conectada a la luminaria antes de encenderla. El sistema Zeus PRO dispone de un controlador LED inteligente que aumentará o reducirá la potencia para adaptarse automáticamente a la cantidad de barras luminosas conectadas al sistema.

¡Atención! Espere siempre entre 20 y 30 minutos a que las barras de luces LED se enfríen antes de manipular la lámpara.

7. PRECAUCIONES AL USAR EL DISPOSITIVO LED

¡Atención! Asegúrese siempre de que al menos una barra luminosa está conectada a la luminaria antes de encenderla. El sistema Zeus PRO dispone de un controlador LED inteligente que aumentará o reducirá la potencia para adaptarse automáticamente a la cantidad de barras luminosas conectadas al sistema.

¡Advertencia! Espere siempre entre 20 y 30 minutos a que las barras de luces LED se enfríen antes de manipular la lámpara.

8. INSPECCIÓN, MANTENIMIENTO Y REPARACIÓN

¡Advertencia! Siempre desconecte el dispositivo de la red eléctrica antes de realizar cualquier mantenimiento.

¡Advertencia! No conecte ni desconecte el dispositivo LED bajo carga.

¡Advertencia! No abra ni desmonte la luminaria LED, ya que no contiene piezas reparables en su interior. El abrir o modificar la luminaria LED puede ser peligroso y anulará la garantía.

¡Advertencia! Espere siempre entre 20 y 30 minutos a que las barras de luces LED se enfríen antes de manipularlas.

¡Precaución! No limpie el dispositivo con detergentes, abrasivos u otras sustancias agresivas.

Revise regularmente el dispositivo para detectar la presencia de polvo o suciedad acumulada. Límpielo de ser necesario. La contaminación puede causar sobrecalentamiento y disminución del rendimiento. Limpie el exterior de la lámpara LED con un paño seco o húmedo.

Compruebe regularmente el cableado del producto para asegurarse que no esté dañado.

9. ALMACENAMIENTO Y ELIMINACIÓN

Almacene la luminaria en un ambiente seco y limpio, con una temperatura ambiente de -25°C a 55°C. No deseche el producto como residuo municipal sin antes clasificarlo, ya que debe recogerse por separado con fines de tratamiento, recuperación y eliminación ambientalmente racional.

10. GARANTÍA

Lumatek garantiza que los componentes mecánicos y electrónicos de su producto estén libres de defectos de material y mano de obra si se utilizan en condiciones normales de funcionamiento durante un período de cinco (5) años a partir de la fecha original de compra. Si el producto muestra algún defecto dentro de este período y ese defecto no se debe a un error del usuario o uso indebido, Lumatek deberá, a su discreción, reemplazar o reparar el producto con productos o piezas nuevas o reacondicionadas. En caso de que Lumatek decida sustituir todo el producto, esta garantía limitada se aplicará al producto de reemplazo durante el período de garantía inicial restante, es decir, cinco (5) años a partir de la fecha de compra del producto original. Para ser atendido, devuelva la luminaria a su tienda con el recibo de compra original.

Los productos Lumatek vendidos en el territorio de la Confederación Suiza son fabricados con números de serie diferentes y están identificados específicamente para la venta en el mercado de la Confederación Suiza, estando disponibles solo para distribuidores suizos autorizados. Si eres un cliente final residente o domiciliado en la Confederación Suiza, la Garantía de Lumatek solo es válida para los productos con el número de serie utilizado exclusivamente para este mercado.

LUMATEK ZEUS 1000W PRO EVO 3.1 LED MANUAL

DEUTSCH

INHALTSVERZEICHNIS

1. **Einführung**
2. **Produktbeschreibung**
3. **Produktinformation und Spezifikationen**
 - 3.1 Allgemeine Informationen zum Produkt
 - 3.2 Technische Daten
 - 3.3 Abmessungen des Geräts
 - 3.4 Spektrale Quantenverteilungskurve
 - 3.5 Lichtverteilungskurve
 - 3.6 Rahmenbedingungen
 - 3.7 Rechtliches
4. **Sicherheitsempfehlungen und Warnhinweise**
5. **Inhalt**
6. **Montage**
 - 6.1 Montage und Installation der Leuchte
 - 6.2 Anschließen der LED-Lichtleisten
 - 6.3 Wechseln und Ersetzen der Lichtleisten und modularer Einsatz
 - 6.4 Montage der Leuchte
 - 6.5 Anschluss des manuellen Dimmers oder der externen Lichtsteuerung
 - 6.6 Anschluss der Leuchten in Reihe für externe Steuerung
 - 6.7 Anschluss der LED-Leuchte an das Stromnetz
7. **Vorsichtsmaßnahmen bei der Verwendung des LED-Gerätes**
8. **Inspektion, Wartung und Reparatur**
9. **Lagerung und Entsorgung**
10. **Garantie**

1. EINFÜHRUNG

Vielen Dank, dass Sie sich für die LUMATEK ZEUS 1000W PRO EVO 3.1 lineare Multi-Lichtleiste-LED entschieden haben. Diese Anleitung beschreibt die Installation und den Betrieb des Zeus Pro; bitte lesen Sie diese Anleitung sorgfältig durch, bevor Sie versuchen, ein System der Lumatek Zeus-Serie zu installieren oder zu betreiben. Wenn Sie mit der Installation von Hochleistungsbeleuchtungssystemen nicht vertraut sind, sollten Sie die Dienste eines qualifizierten Installateurs in Anspruch nehmen.

2. PRODUKTBESCHREIBUNG

LUMATEK ZEUS 1000W PRO EVO 3.1 ist eine elektronische Gartenbau-LED-Leuchte mit einem linearen Array-Design mit zehn 100W-LED-Lichtleisten und einem intelligenten Treiber, der die Leuchte extern steuerbar und dimmbar macht. Der ZEUS 1000W PRO EVO 3.1 Strahler ist eine ultrahochleistungsfähige Top-Beleuchtungslösung für den kommerziellen Gartenbau, mit der Leistung und Flexibilität, um von der Vermehrung und dem Klönen über das Pflanzenwachstum bis hin zu höheren Lichtintensitäten in der Blüte zu skalieren. In dieser Anleitung wird die Lumatek Zeus 1000W PRO EVO LED als "das LED-Gerät" bezeichnet.

3. PRODUKTINFORMATION UND SPEZIFIKATIONEN

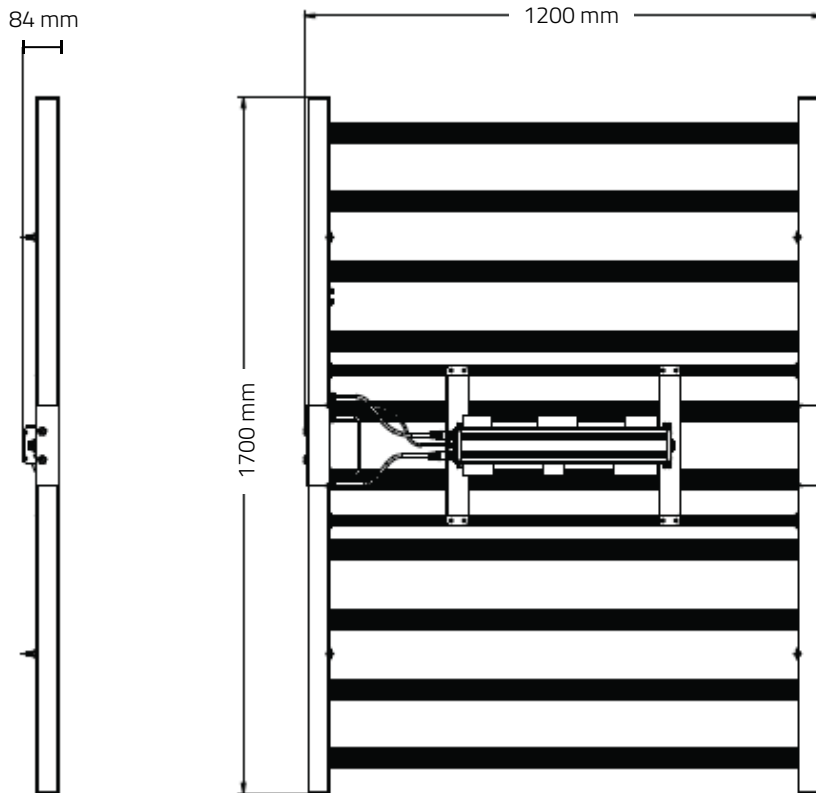
3.1 Allgemeine Produktinformationen

PRODUKTBEZEICHNUNG	ZEUS 1000W PRO EVO 3.1
PRODUKTCODE	LUMLED027
HERSTELLER	LUMATEK EU
EAN	5060560032212

3.2 Technische Daten

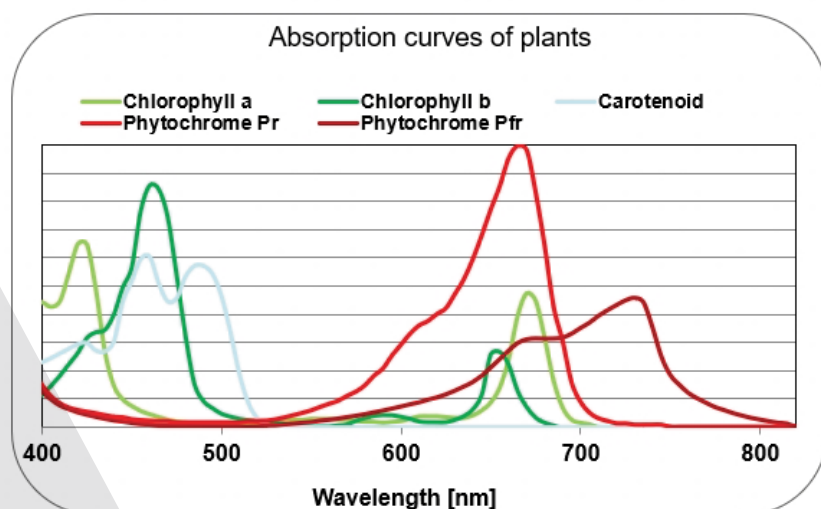
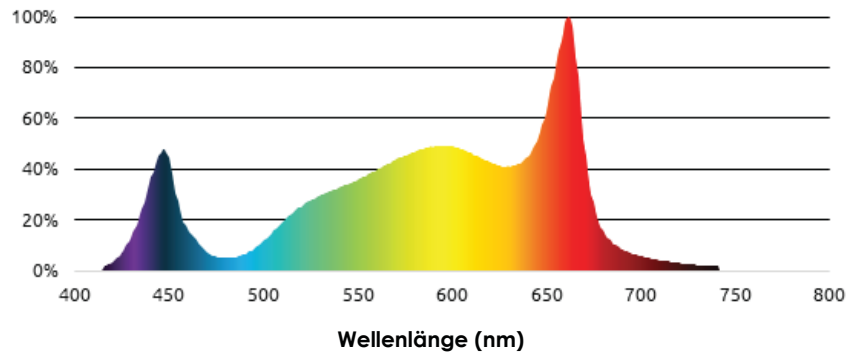
PPF	3125 $\mu\text{mol/s}$
WIRKSAMKEIT	3.1 $\mu\text{mol/J}$
EINGANGSLEISTUNG BEI 230V AC 100% o/p	1025W ($\pm 5\%$) @ 230 V AC
EINGANGSSPANNUNG	220-240 V AC 50/60 Hz
EINGANGSSTROM BEI 230V AC 100% o/p	4.9 A
BETRIEBSTEMPERATUR	-10 °C – +40 °C
BETRIEBSFEUCHTIGKEIT	20% - 30%
LEISTUNGSFAKTOR	> 0.95
LEBENSDAUER	L90 > 60000 h
SPEKTRUM	Full-Spectrum F
LICHTQUELLE	SAMSUNG LM301H EVO OSRAM 4.24
DIMENSIONEN (LxWxH)	1700 x 1200 x 84 mm
GEWICHT	18 Kg
ABSTRAHLWINKEL	120°
MANUELLES DIMMEN/EXTERNE BELEUCHTUNGSSTEUERUNG	0 - 10 V Analog-Protokoll
WASSERDICHT / STAUBDICHT	IP65

3.3 Abmessungen des Geräts

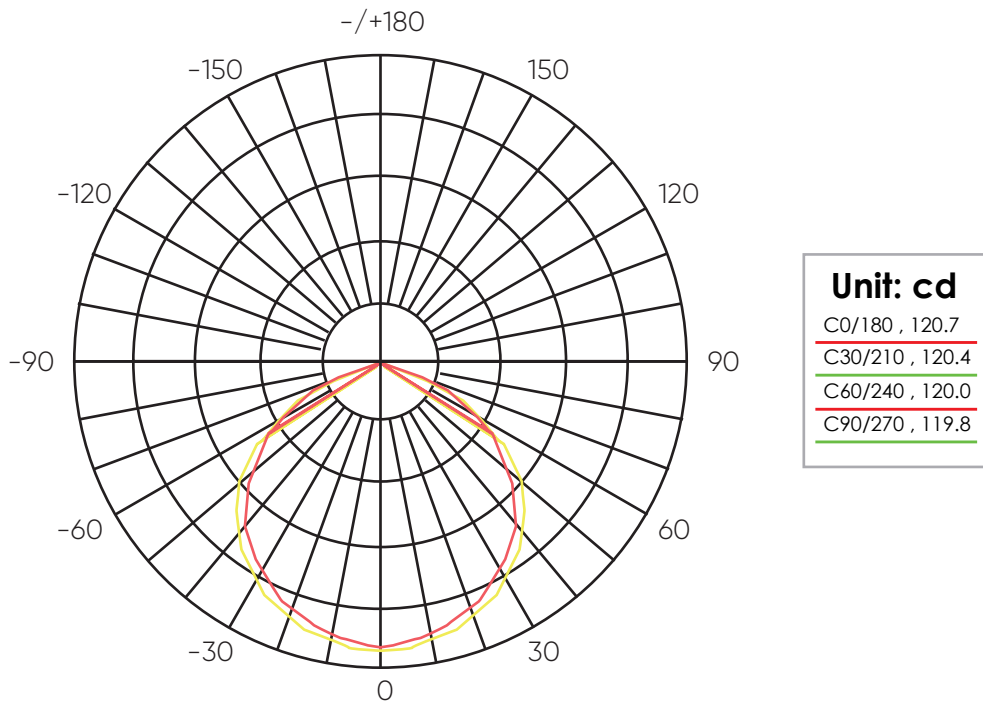


3.4 Diagramm der spektralen Quantenverteilung

Die ZEUS Pro-Serie verwendet hocheffiziente weiße und rote Top-Bin-LEDs für den Gartenbau, um ein ausgewogenes Vollspektrum an Lichtqualität zu erzeugen, das ideal für die Photosynthese ist.



3.5 Lichtverteilungskurve



3.6 Rahmenbedingungen

Die LED-Leuchte ist für den Einsatz in klimatisierten Growräumen und Indoor-Farmen vorgesehen. Das Produkt kann in feuchten Umgebungen verwendet werden, darf aber nicht in nassen Umgebungen oder im Freien eingesetzt werden.

Das Produkt kann bei Umgebungstemperaturen von -10 °C bis 40 °C betrieben werden, funktioniert aber optimal bei Temperaturen zwischen 20 °C und 30 °C.

Das Produkt kann bei einer Luftfeuchtigkeit von 20 % bis 90 %, ohne Kondensation, betrieben werden.

3.7 Rechtliches

Dieses Produkt ist mit Präzision und Qualität im Kopf entworfen. Es entspricht nahtlos den Branchenstandards und garantiert eine Benutzererfahrung, die den erwarteten Normen entspricht und sie übertrifft.

4. SICHERHEITSEMPFEHLUNGEN UND WARNHINWEISE

Warnung! Lesen Sie die folgenden Warnhinweise sorgfältig durch, bevor Sie das Produkt verwenden oder mit ihm arbeiten!

- Beachten Sie bei der Installation oder Verwendung der LED-Leuchte immer die örtlichen Bestimmungen und Vorschriften.
- Öffnen oder demontieren Sie die LED-Leuchte keinesfalls, da sie keine wartungsfähigen Teile im Inneren enthält. Das Öffnen oder Modifizieren des LED-Leuchtmittels kann gefährlich sein und führt zum Erlöschen der Garantie.
- Verwenden Sie die LED-Leuchte nicht, wenn entweder die LED-Leuchte oder das Netzkabel beschädigt sind. Ersetzen Sie das Netzkabel nur durch ein korrekt dimensioniertes Kabel.
- Änderungen an den Kabeln können zu unerwünschten elektromagnetischen Einflüssen führen, die dazu führen können, dass das Produkt nicht den gesetzlichen Anforderungen entspricht.
- Setzen Sie das LED-Gerät keinem der Folgenden aus:

- Kondensierende Feuchtigkeit, starker Nebel oder Sprühregen;
- Umgebungstemperaturen außerhalb des angegebenen Bereichs;
- Staub und Verunreinigungen;
- Direktes Sonnenlicht während des Gebrauchs oder HID-Licht, das den Treiber erhitzen kann. Trennen Sie das LED-Gerät immer vom Stromnetz, bevor Sie Wartungsarbeiten durchführen. Halten Sie immer eine Abkühlzeit von mindestens 20-30 Minuten ein, bevor Sie die LED-Lichtleisten berühren. Berühren der LED-Leisten, wenn das Gerät leuchtet oder unmittelbar danach, kann zu Verbrennungen führen!
- Die natürliche Konvektion transportiert die Wärme vom Kühlkörper weg. Damit sich das System richtig abkühlen kann, ist ein Abstand von mindestens 5 cm zwischen dem Gerät und dem Dach Ihres Anzuchtbereichs erforderlich.
- Verwenden Sie zur Reinigung der LED-Leuchte keine scheuernden Materialien oder aggressiven Reinigungsmittel, da dies die Sekundäroptik beschädigen kann. Verwenden Sie stattdessen ein sauberes, trockenes Gewebe/Tuch.
- Verwenden Sie die LED-Leuchte nicht in der Nähe von brennbaren, explosiven oder reaktiven Stoffen. Die LED-Leuchte kann Temperaturen von 40 °C erreichen.
- Verwenden Sie keine Schwefelverdampfer oder Wasserzerstäuber.
- Die Installation und Verwendung der LED-Leuchte liegt in der Verantwortung des Endverbrauchers. Unsachgemäße Verwendung oder Installation kann zu Ausfällen und Schäden an der LED-Leuchte führen. Schäden an der LED-Leuchte und der elektronischen Schaltung durch unsachgemäße Installation und Verwendung führen zum Erlöschen der Garantie.

5. INHALT

1x BENUTZERHANDBUCH

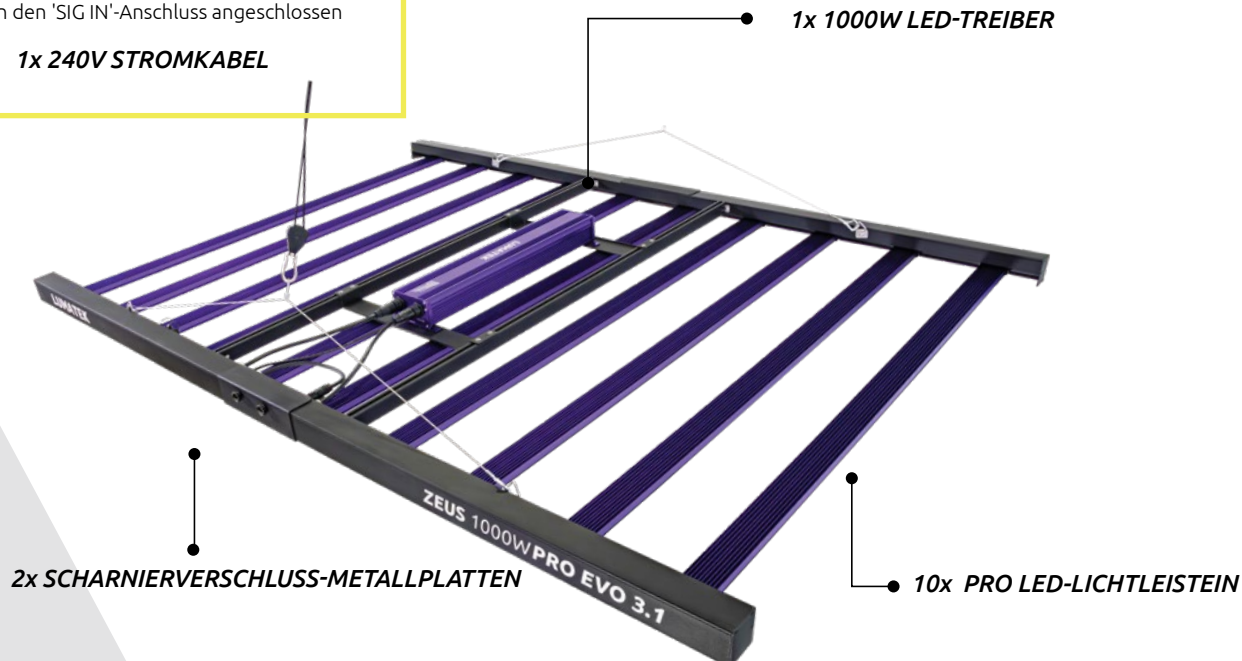
2x KABELAUFHÄNGUNGEN AUS METALL

1x DIMM-CONTROLLER 0-10V

wird an den 'SIG IN'-Anschluss angeschlossen

1x 240V STROMKABEL

1x 1000W LED-TREIBER



6. INSTALLATION

Warnung! Die Montage und Installation der LED-Leuchte muss in Übereinstimmung mit den geltenden lokalen Gesetzen und Vorschriften erfolgen.

Warnung! Der Installateur ist für die korrekte und sichere Installation verantwortlich.

Warnung! Stellen Sie sicher, dass die lokale Verkabelung den Spannungs- und Stromanforderungen der LED-Leuchte entspricht.

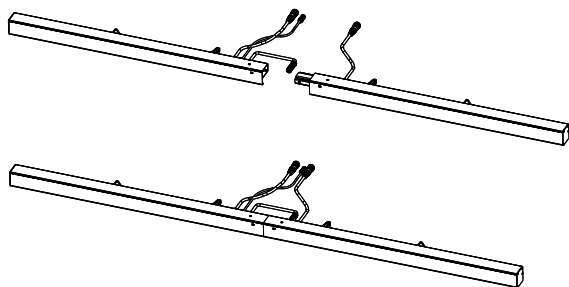
Warnung! Vermeiden Sie Spiralkabel und halten Sie die Netzleitungen getrennt, um elektromagnetische Störungen zu vermeiden.

Warnung! Schließen oder trennen Sie das LED-Gerät nicht unter Last.

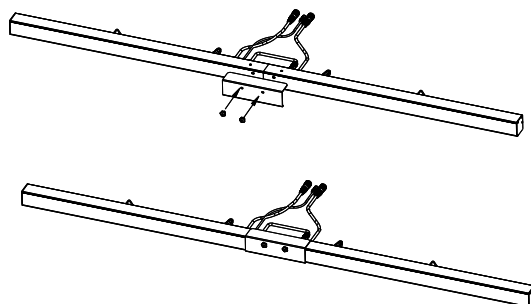
6.1 Montage und Installation des Geräts

Der Leuchtenrahmen besteht aus verschiedenen Teilen, die in der Verpackung enthalten sind. Beginnen Sie mit dem Zusammenbau der Rahmenteile, nachdem Sie sie aus der Verpackung genommen haben. Zur Fixierung der Stangenverschraubungen sind zwei Metallverriegelungsplatten vorhanden.

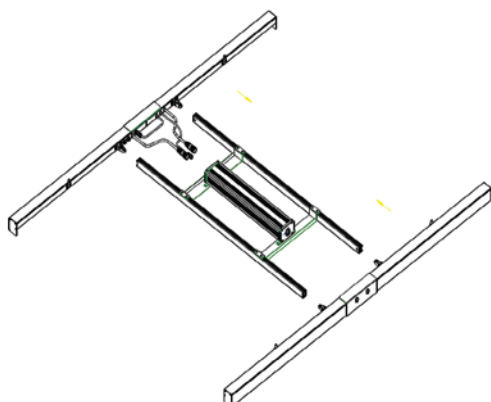
Schritt 1: Richten Sie die Stangen mit den Kabeln aus und verbinden Sie sie. Wiederholen Sie den Vorgang an den anderen Leisten.



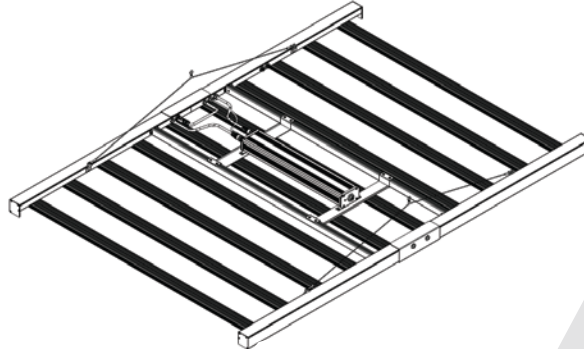
Schritt 2: Verwenden Sie die beiden Metallverriegelungsplatten, um die Stangen miteinander zu verbinden.



Schritt 3: Verbinden Sie die montierten Stangen mit dem Rahmen.

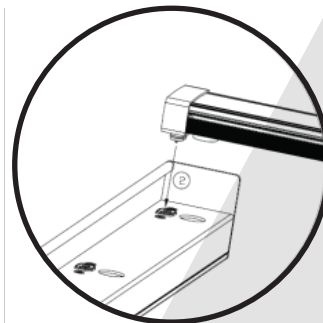
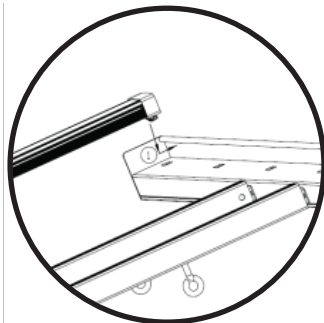


Schritt 4: Schließen Sie die Kabel an und befestigen Sie die Metallbügel an der Halterung. Verbinden Sie die LED-Leisten.



6.2 Anschließen der LED-Lichtleisten

Warnung! Die Lichtleisten werden mit Schutzabdeckungen aus Kunststoff über den Dioden ausgeliefert. Bitte stellen Sie sicher, dass diese Schutzabdeckungen vor der Verwendung entfernt werden!



Montieren Sie zuerst das Hakenende; setzen Sie den Haken in das Vierkantloch ein

Setzen Sie dann das andere Ende ein; richten Sie den Magnetanschluss des Lichtbalkens auf das runde Loch am Steckverbinder des Rahmens aus und stecken Sie den Stift in die Buchse. Stellen Sie sicher, dass die Magnetverbindung sicher ist.

6.3 Wechseln und Ersetzen von Lichtleisten und modularer Einsatz

Das modulare Design der LED-Leuchte nutzt intelligente LED-Treiber, die die Leistung automatisch verringern oder erhöhen können, um der Anzahl der installierten 100-W-Lichtleisten zu entsprechen. Wenn nicht alle Lichtleisten benötigt werden, verbrauchen die Treiber nur die Leistung, die für die Anzahl der angeschlossenen Lichtleisten erforderlich ist, z. B. wenn sechs Lichtleisten angeschlossen sind, verbrauchen die Treiber nur 600 W, um diese zu betreiben.

Warnung! Vor dem Einschalten muss mindestens ein Lichtbalken im Gerät installiert sein.

6.4 Installieren des Geräts

Warnung! Montieren Sie das System an einer Stelle, die das Gewicht der LED-Leuchte tragen kann.

Vergewissern Sie sich, dass alle Lichtleisten korrekt und sicher installiert sind. Drehen Sie das Gerät vorsichtig um und befestigen Sie die Metallkabelaufhängungen an den Befestigungshaken. Hängen Sie das Gerät in der gewünschten Position und Höhe auf. Für eine optimale Leistung positionieren Sie das Gerät 50 - 100 cm über dem Pflanzdach für eine Lichtverteilung von 1,5 x 2 m. Achten Sie darauf, dass das Gerät waagrecht aufgehängt ist.

Befestigen Sie die Kabelaufhänger an den Montagehaken.



6.5 Anschließen des manuellen Dimmers oder der externen Lichtsteuerung

Die Dimmersteuerung oder Lichtsteuerung wird an den Anschluss 'SIG IN' am Rahmen des Geräts angeschlossen. Damit kann die Lichtintensität (PPF-Ausgang) je nach Bedarf eingestellt werden. Die Lichtintensität der LED-Leuchte kann angepasst werden, ohne die relative spektrale Leistungsverteilung zu verändern oder die Effizienz zu verlieren.

Entfernen Sie die Staubschutzkappe und vergewissern Sie sich, dass die Stecker und Buchsen korrekt ausgerichtet sind und schieben Sie sie zusammen, bis sie mit einem hörbaren Klick einrasten. Zum Trennen drehen Sie den Drehverschluss gegen den Uhrzeigersinn und ziehen Sie ihn auseinander.



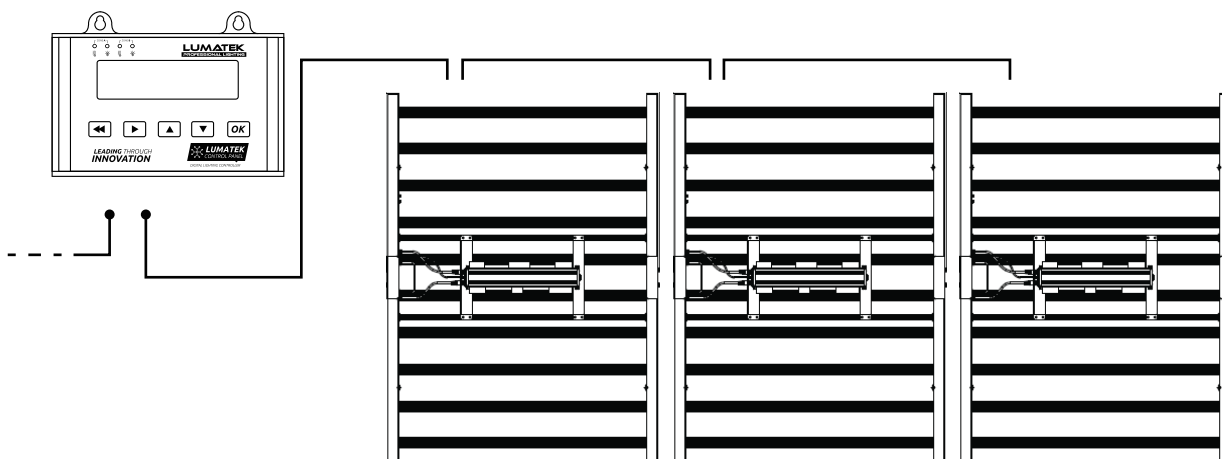
Schließen Sie ein manuelles Dimmerkabel oder ein Lichtsteuerungskabel an den SIG IN-Anschluss (linke Buchse) an.

6.6 Anschluss von Geräten in Reihe für externe Steuerung

Detaillierte Anweisungen finden Sie in der Anleitung des Lumatek Control Panels.

Positionieren und hängen Sie jedes Gerät entsprechend auf.
Die Geräte der ZEUS-Serie werden mit einem 0-10 V Signalprotokoll gesteuert.

Verbinden Sie das Ausgangssignalkabel des Controllers mit dem Anschluss SIG IN des Geräts 1.
Verbinden Sie das Daisy-Chain-Steuersignalkabel vom Anschluss SIG OUT des Geräts 1 mit dem Anschluss SIG IN des Geräts 2.
Fahren Sie fort, die Geräte in Reihe zu schalten, um bis zu 100 Geräte pro Steuerung anzuschließen, siehe Abb.



6.7 Anschluss des LED-Gerätes an das Stromnetz

Warnung! Stellen Sie sicher, dass die Netzspannung ausgeschaltet ist.

Warnung! Stellen Sie sicher, dass das Stromversorgungskabel nicht aufgewickelt ist und keine heißen Oberflächen berührt.

Warnung! Schließen Sie die Kabel gemäß den örtlichen Vorschriften, Sicherheitsbestimmungen und elektrischen Vorschriften an.

Warnung! Wenn Sie keine externe Beleuchtungssteuerung verwenden, stellen Sie sicher, dass externe Schaltgeräte den Einschaltstrom der LED-Leuchte bewältigen kann. Verwenden Sie immer ein digitales Zeitschütz, Zeitschalterschütz, das zum Schalten einer kapazitiven Last geeignet ist.

Vergewissern Sie sich, dass der Twist-Lock-Anschluss des Netzteils des LED-Geräts korrekt auf den AC INPUT-Anschluss des Geräts eingestellt ist und drücken Sie ihn zusammen, bis er einrastet.

Verbinden Sie den Netzstecker mit dem Schaltgerät/Netzteil.
Schalten Sie die Netzspannung ein.



- Zum Trennen der Verbindung drehen Sie den Drehverschluss gegen den Uhrzeigersinn und ziehen ihn vom Gerät ab.

7. VORSICHTSMAßNAHMEN BEI DER VERWENDUNG DES LED-GERÄTES

Warnung! Stellen Sie vor dem Einschalten sicher, dass mindestens ein Lichtstreifen an das Gerät angeschlossen ist. Das Zeus 1000W Pro-Gerät verfügt über einen intelligenten LED-Treiber, der die Leistung entsprechend der Anzahl der angeschlossenen Lichtstreifen automatisch erhöhen oder verringern können.

Warnung! Warten Sie immer 20 - 30 Minuten, bis die LED-Lichtleisten abgekühlt sind, bevor Sie das Gerät anfassen.

8. INSPEKTION, WARTUNG UND REPARATUR

Warnung! Trennen Sie das LED-Gerät vom Netz, bevor Sie Wartungs- oder Reparaturarbeiten durchführen.

Warnung! Schließen Sie das LED-Gerät nicht unter Last an und trennen Sie es nicht unter Last.

Warnung! Öffnen oder zerlegen Sie das LED-Gerät nicht, es enthält keine zu wartenden Teile im Inneren. Das Öffnen des LED-Geräts kann gefährlich sein und führt zum Erlöschen der Garantie.

Warnung! Warten Sie immer 20 - 30 Minuten, bis die LED-Lichtleisten abgekühlt sind, bevor Sie sie anfassen.

Warnung! Reinigen Sie das LED-Gerät nicht mit Reinigungsmitteln, Scheuermitteln oder anderen aggressiven Substanzen.

Prüfen Sie das LED-Gerät regelmäßig auf Staub- oder Schmutzablagerungen. Reinigen Sie es, wenn nötig. Verunreinigungen können zu Überhitzung und verminderter Leistung führen. Reinigen Sie die Außenseite der LED-Leuchte mit einem trockenen oder feuchten Tuch.

Überprüfen Sie regelmäßig die Kabel des LED-Geräts, um sicherzustellen, dass diese unbeschädigt sind.

9. LAGERUNG UND ENTSORGUNG

Lagern Sie das LED-Gerät in einer trockenen und sauberen Umgebung bei einer Umgebungstemperatur von -25 °C bis 55 °C.

Das Produkt darf nicht als unsortierter Hausmüll entsorgt werden, sondern muss zum Zwecke der Aufbereitung, Verwertung und umweltgerechten Entsorgung separat entsorgt werden.

10. GARANTIE

Lumatek garantiert für einen Zeitraum von fünf (5) Jahren ab dem ursprünglichen Kaufdatum, dass die mechanischen und elektronischen Komponenten des Produkts bei Verwendung unter normalen Betriebsbedingungen frei von Material- und Verarbeitungsfehlern sind. Wenn das Produkt innerhalb dieses Zeitraums Mängel aufweist und dieser Mangel nicht auf einen Benutzerfehler oder unsachgemäßen Gebrauch zurückzuführen ist, wird Lumatek das Produkt nach eigenem Ermessen entweder ersetzen oder reparieren, wobei geeignete neue oder überholte Produkte oder Teile verwendet werden. Falls Lumatek sich entscheidet, das gesamte Produkt zu ersetzen, gilt diese eingeschränkte Garantie für das Ersatzprodukt für die verbleibende ursprüngliche Garantiezeit, d. h. fünf (5) Jahre ab dem Kaufdatum des Originalprodukts. Für den Service; bringen Sie das Produkt mit dem Originalkaufbeleg zu Ihrem Fachhändler zurück.

Lumatek-Produkte, die im Gebiet der Schweizerischen Eidgenossenschaft verkauft werden, werden mit einer eigenen Seriennummernserie hergestellt und sind als exklusiv für den Verkauf auf dem Schweizerischen Eidgenossenschaftsmarkt bestimmt und nur für lizenzierte Schweizer Händler verfügbar. Wenn Sie ein Endkunde mit Wohnsitz oder ansässig in der Schweizerischen Eidgenossenschaft, gilt die Lumatek-Garantie nur für Produkte, die mit der Seriennummernserie gekennzeichnet sind, die ausschließlich für den Schweizer Markt verwendet ist.

LUMATEK ZEUS 1000W PRO EVO 3.1 LED MANUALE

ITALIANO

SOMMARIO

1. **Introduzione**
2. **Descrizione del prodotto**
3. **Informazioni e specifiche del prodotto**
 - 3.1 Informazioni generali sul prodotto
 - 3.2 Specifiche tecniche
 - 3.3 Dimensioni del dispositivo
 - 3.4 Grafico della distribuzione quantistica spettrale
 - 3.5 Curva di distribuzione della luce
 - 3.6 Ambiente
 - 3.7 Legale
4. **Raccomandazioni e avvertenze di sicurezza**
5. **Contenuti**
6. **Installazione**
 - 6.1 Montaggio e installazione del dispositivo
 - 6.2 Collegare le barre luminose a LED
 - 6.3 Rimozione e Sostituzione delle barre luminose e utilizzo modulare
 - 6.4 Installazione dell'apparecchiatura
 - 6.5 Collegamento del dimmer manuale o del controller dell'illuminazione esterno
 - 6.6 Collegamento in serie di apparecchi per comando esterno
 - 6.7 Collegamento dell'apparecchio LED alla rete
7. **Precauzioni per l'utilizzo del dispositivo LED**
8. **Ispezione, manutenzione e riparazione**
9. **Stoccaggio e smaltimento**
10. **Garanzia**

1. INTRODUZIONE

Grazie per aver acquistato l'apparecchio LED a barra multiluce lineare Lumatek ZEUS 1000W PRO EVO 3.1. Questo manuale descrive come installare e utilizzare l'apparecchiatura Zeus Pro; leggere attentamente questo manuale prima di tentare di installare o utilizzare qualsiasi sistema della serie Lumatek Zeus. Se non ti senti a tuo agio con l'installazione di sistemi di illuminazione ad alte prestazioni, dovresti affidarti ai servizi di un professionista qualificato dell'installazione.

2. DESCRIZIONE DEL PRODOTTO

LUMATEK ZEUS 1000W PRO EVO 3.1 è un apparecchio elettronico a LED per orticoltura che utilizza un design lineare con dieci barre luminose a LED da 100 W e un driver intelligente che rende l'apparecchio controllabile e dimmerabile dall'esterno. L'apparecchio ZEUS 1000W PRO EVO 3.1 è una soluzione di illuminazione superiore a ciclo completo ad altissime prestazioni per l'orticoltura commerciale, con la potenza e la flessibilità per illuminare le fasi dalla propagazione e clonazione attraverso la crescita vegetativa fino a intensità luminose più elevate in fioritura.

In questo manuale il Lumatek ZEUS 1000W PRO EVO 3.1 LED sarà indicato come: "l'apparecchio LED".

3. INFORMAZIONI E SPECIFICHE DEL PRODOTTO

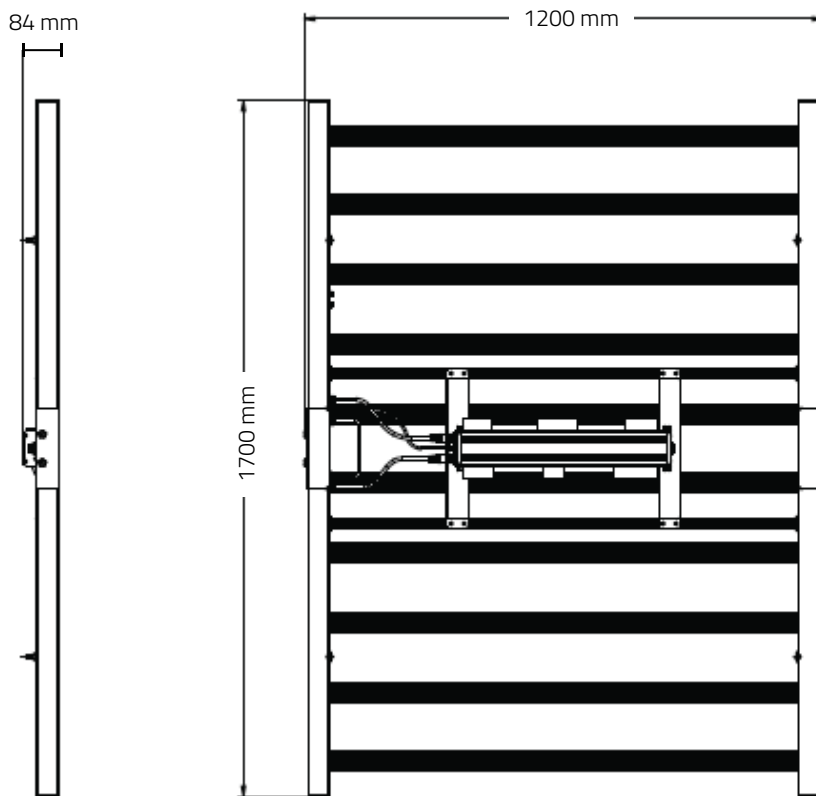
3.1 Informazioni generali sul prodotto

NOME DEL PRODOTTO	ZEUS 1000W PRO EVO 3.1
CODICE PRODOTTO	LUMLED027
PRODUTTORE	LUMATEK EU
EAN	5060560032212

3.2 Specifiche tecniche

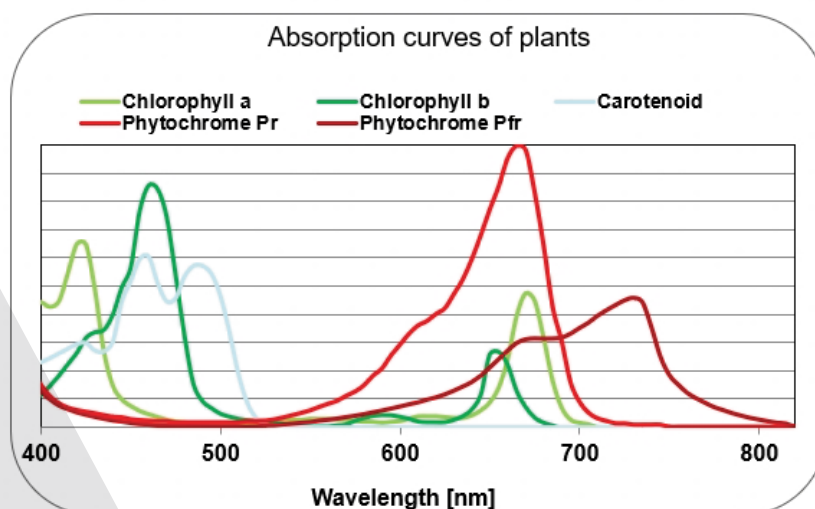
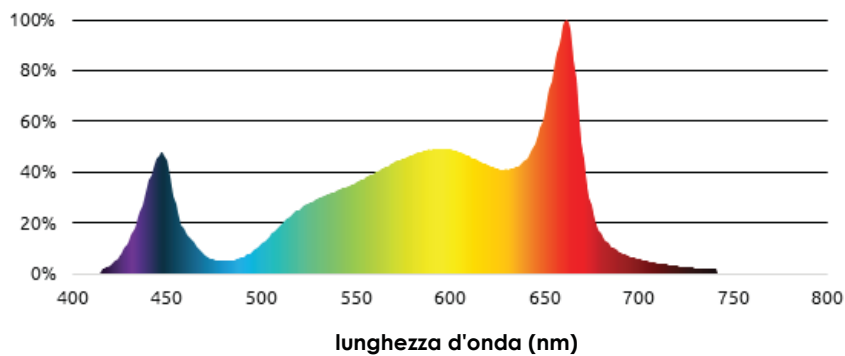
PPF	3125 $\mu\text{mol/s}$
EFICACIA	3.1 $\mu\text{mol/J}$
POTENZA DI INGRESSO A 230V AC 100% o/p	1025W ($\pm 5\%$) @ 230 V AC
TENSIONE DI INGRESSO	220-240 V AC 50/60 Hz
CORRENTE DI INGRESSO A 230V , 100% o/p	4.9 A
TEMPERATURA DI LAVORO	-10 °C – +40 °C
UMIDITÀ DI LAVORO	20% - 30%
FATTORE DI POTENZA	> 0.95
DURATA DI VITA	L90 > 60000 h
SPETTRO	Espectro completo F
FONTE DI LUCE	SAMSUNG LM301H EVO OSRAM 4.24
DIMENSIONI (LxWxH)	1700 x 1200 x 84 mm
PESO	18 Kg
ANGOLO DEL FASCIO LUMINOSO	120°
REGOLAZIONE INTENSITÀ LUMINOSA MANUALE/ CONTROLLER ILLUMINAZIONE ESTERNA	Protocollo analogico 0 - 10 V
IMPERMEABILE/ANTIPOLVERE	IP65

3.3 Dimensioni del dispositivo

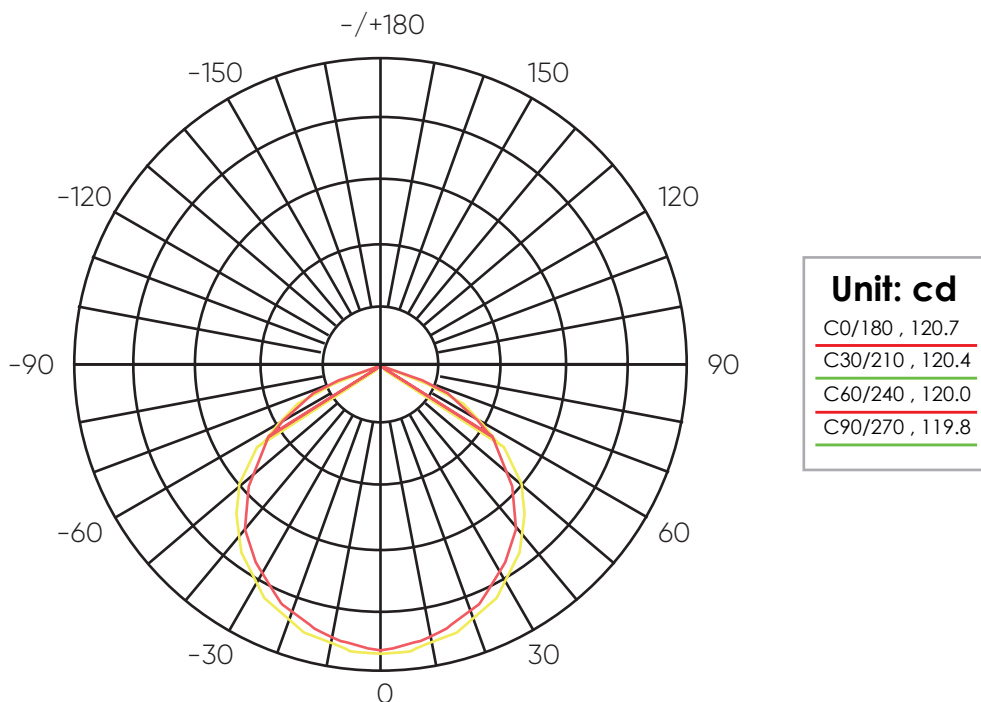


3.4 Grafico della distribuzione quantistica spettrale

La serie ZEUS Pro utilizza LED bianchi e rossi per l'orticoltura del contenitore superiore ad alta efficienza con specifiche più elevate per creare uno spettro completo bilanciato di luce di qualità ideale per la fotosintesi.



3.5 Curva di distribuzione della luce



3.6 Ambiente

L'apparecchio a LED è destinato all'uso in stanze di coltivazione climatizzate e fattorie indoor. Il prodotto può essere utilizzato in ambienti umidi ma non può essere utilizzato in ambienti con presenza di acqua o all'aperto.

Il prodotto funzionerà a temperature ambiente comprese tra -10°C e 40 °C ma funzionerà a un livello ottimale tra 20°C e 30°C.

Il prodotto funzionerà con un'umidità del 20% – 90%, senza condensa.

3.7 Legale

Questo prodotto è progettato con precisione e qualità in mente, aderendo perfettamente agli standard dell'industria e garantendo un'esperienza utente che soddisfa e supera le norme attese.

4. RACCOMANDAZIONI E AVVERTENZE DI SICUREZZA

Avvertenze! Leggere attentamente le avvertenze di seguito prima di utilizzare o lavorare con il prodotto!

- Rispettare sempre le norme e i regolamenti locali durante l'installazione o l'utilizzo dell'apparecchio a LED.
- Non aprire o smontare l'apparecchio a LED in quanto non contiene parti riparabili all'interno. L'apertura o la modifica del dispositivo del LED può essere pericoloso e invalidare la garanzia.
- Non utilizzare l'apparecchio a LED se l'apparecchio a LED o il cavo di alimentazione sono danneggiati. Sostituire il cavo di alimentazione esclusivamente con un cavo con impedenza nominale corretta.
- Modifiche ai cavi possono portare ad effetti elettromagnetici indesiderati che possono rendere il prodotto non conforme ai requisiti di legge.
- Non esporre l'apparecchio a LED a:
 - Condensa, nebbia pesante o spruzzo diretto;
 - Temperature ambiente fuori dal range specificato;
 - Polvere e contaminazione;
 - Luce solare diretta durante l'uso o luce HID che possono riscaldare il driver.

- Scollegare sempre l'apparecchio LED dalla rete prima di eseguire la manutenzione.
- Consentire sempre un periodo di raffreddamento di almeno 20-30 minuti prima di toccare le barre luminose a LED. Toccando le barre LED quando l'apparecchio è acceso o immediatamente dopo può provocare ustioni!
- La convezione naturale rimuove calore dal dissipatore di calore. Affinché il sistema si raffreddi correttamente, sono richiesti almeno 5 centimetri di spazio tra l'apparecchio e il tetto dell'area di coltivazione.
- Non usare materiali abrasivi o detergenti aggressivi per pulire l'apparecchio a LED per evitare di danneggiare l'ottica secondaria. Utilizzare invece un tessuto/panno pulito e asciutto.
- Non utilizzare l'apparecchio a LED in prossimità di sostanze infiammabili, esplosive o reattivi. L'apparecchio a LED può raggiungere temperature di 40°C.
- Non utilizzare vaporizzatori di zolfo o d'acqua.
- L'installazione e l'utilizzo dell'apparecchio a LED è responsabilità dell'utente finale. L'uso o installazione non corretta possono portare a difetti e danni al dispositivo a LED. Danni al supporto LED e alla circuiteria elettronica come conseguenza di installazione e utilizzo incorretti comporta la revoca della garanzia.

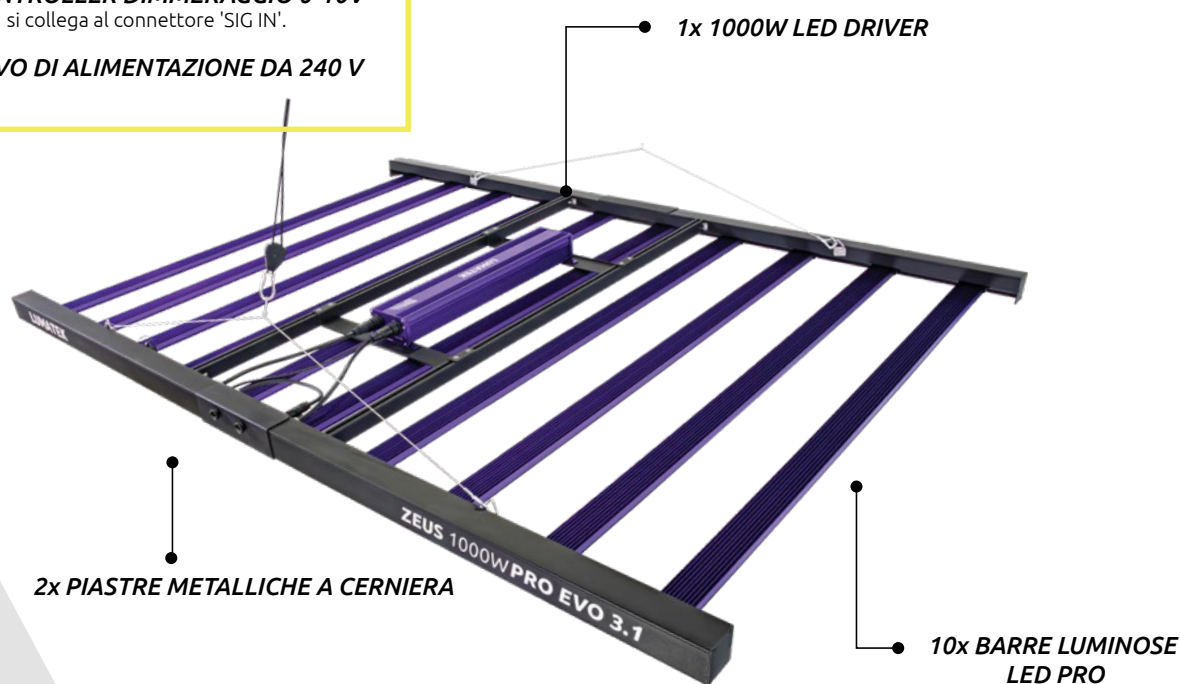
5. CONTENUTI

1x MANUALE UTENTE

2x GANCI PER CAVI IN METALLO

1x CONTROLLER DIMMERAGGIO 0-10V
si collega al connettore 'SIG IN'.

1x CAVO DI ALIMENTAZIONE DA 240 V



6. IINSTALLAZIONE

Avvertimento! Montare e installare l'apparecchio a LED in conformità con le leggi locali e i regolamenti applicabili.

Avvertimento! L'installatore è responsabile per l'installazione corretta e sicura.

Avvertimento! Assicurarsi che il cablaggio locale possa supportare i requisiti di tensione e corrente dell'apparecchio LED.

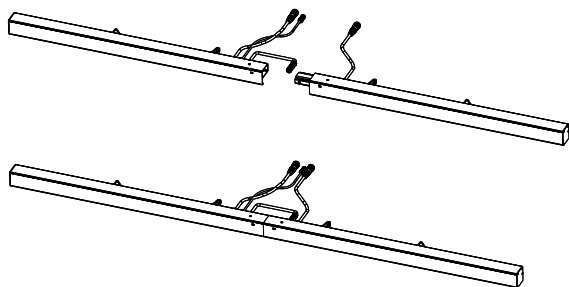
Avvertimento! Evitare cavi attorcigliati e mantenere cavi di alimentazione separati per prevenire le interferenze elettromagnetiche.

Avvertimento! Non collegare o scollegare l'apparecchio a LED quando sotto carico.

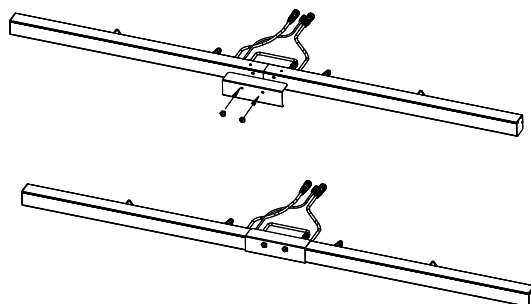
6.1 Montaggio e installazione del dispositivo

Il quadro dell'apparecchio è composto da varie parti incluse nell'imballaggio. Iniziare ad assemblare le parti del quadro dopo averle tolte dall'imballaggio. Per fissare i raccordi delle barre sono fornite due piastre metalliche di bloccaggio.

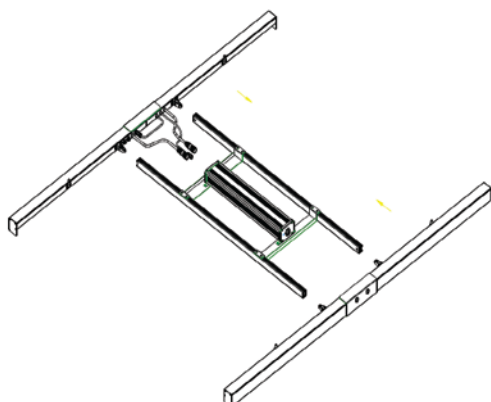
Passo 1: Allineare e unire le barre con i cavi. Ripetere la procedura per le altre barre.



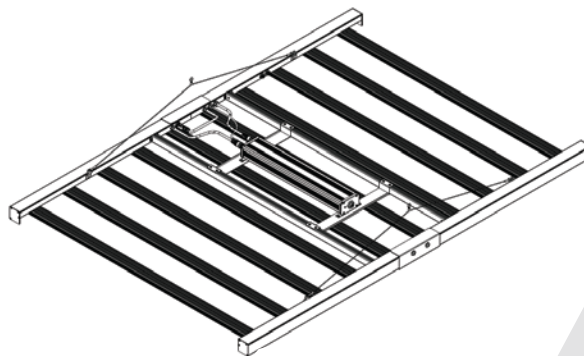
Passo 2: Utilizzare le due piastre metalliche di bloccaggio per garantire l'unione delle barre.



Passo 3: Collegare le barre assemblate al quadro.

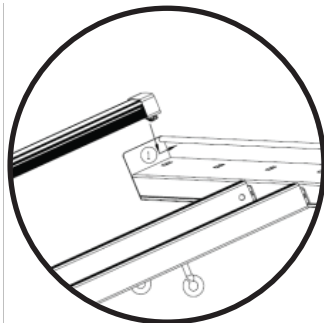


Passo 4: Collegare i cavi e fissare i ganci metallici all'apparecchio. Collegare le barre LED.

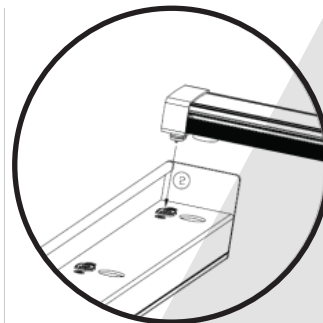


6.2 Collegare le barre luminose a LED

Avvertimento! Le barre luminose vengono spedite con coperture protettive in plastica sui diodi. Si prega di assicurarsi che queste coperture protettive siano rimosse prima dell'uso!



Installare prima l'estremità del gancio; inserire il gancio nel foro quadrato.



Quindi inserire l'altra estremità; allineare il connettore magnetico della barra luminosa con il foro rotondo sul connettore del telaio e inserire il pin maschio nella presa femmina. Assicurati che la connessione magnetica sia sicura.

6.3 Rimozione e sostituzione delle barre luminose e utilizzo modulare

Il design modulare dell'apparecchio a LED utilizza driver LED intelligenti che possono diminuire o aumentare la potenza per abbinare automaticamente la quantità di barre luminose da 100 W installate sull'apparecchio. Se non sono necessarie tutte le barre luminose, i driver assorbiranno solo la potenza necessaria per la quantità di barre luminose collegate, ad esempio se sono collegate sei barre luminose, i driver assorbiranno solo 600 W per alimentare.

Avvertimento! Almeno una barra luminosa deve essere installata nell'apparecchio prima dell'accensione.

6.4 Installazione dell'apparecchiatura

Avvertimento! Montare il sistema su qualcosa che possa sostenere il peso dell'apparecchio LED.

Montare il sistema su qualcosa che possa sostenere il peso dell'apparecchio a LED. Assicurati che tutte le barre luminose siano installate correttamente e siano sicure. Capovolgere con cautela l'apparecchio e fissare i ganci per cavi metallici ai ganci di montaggio. Appendere l'apparecchio nella posizione e all'altezza richieste. Per prestazioni ottimali; posizionare l'apparecchio 50 -100 cm sopra la chioma della pianta per una diffusione della luce di 1,5 x 2 m. Assicurarsi che l'apparecchio sia appeso orizzontalmente.

Fissare i ganci per cavi ai ganci di montaggio.



6.5 Collegamento del dimmer manuale o del controller dell'illuminazione esterno

Il controllo del dimmer o controller dell'illuminazione è collegato al connettore 'SIG IN' sul telaio dell'apparecchio. Ciò consente di regolare l'intensità della luce (uscita PPF) in base alle esigenze. L'intensità della luce dell'apparecchio a LED può essere regolata senza modificare la distribuzione della potenza spettrale relativa o perdere efficienza.

Rimuovere il cappuccio antipolvere e assicurarsi che i connettori maschio e femmina siano allineati correttamente, quindi premere insieme fino a quando non si bloccano. Per disconnettersi; ruotare il twist-lock in senso antiorario e separare.



Collegare il cavo del dimmer manuale o il cavo del controller dell'illuminazione alla porta SIG IN (presa sinistra).

6.6 Collegamento in serie di apparecchi per comando esterno

Per istruzioni dettagliate, fare riferimento al manuale del pannello di controllo Lumatek.

Posizionare e appendere ogni apparecchio in modo appropriato.

Gli apparecchi della serie ZEUS utilizzano il protocollo di segnale 0-10V per il controllo.

Collegare il cavo del segnale di uscita del controller al connettore SIG IN dell'apparecchiatura 1.

Collegare il cavo del segnale di controllo a margherita dal connettore SIG OUT dell'apparecchiatura 1 al connettore SIG IN dell'apparecchiatura 2.

Continuare a collegare i dispositivi in serie per un massimo di 100 dispositivi per controller, vedere la Fig.



6.7 Collegamento dell'apparecchio LED alla rete

Avvertimento! Assicurarsi che l'alimentazione di rete sia disattivata.

Avvertimento! Assicurarsi che il cavo di alimentazione non sia arrotolato e non tocchi superfici calde.

Avvertimento! Collegare i cavi secondo le norme locali, le norme di sicurezza e il codice elettrico.

Attenzione! Se non utilizzate un controllore di illuminazione esterno, assicuratevi che il dispositivo di commutazione esterno sia in grado di gestire la corrente di spunto dell'apparecchio LED. Utilizzare sempre un contattore digitale temporizzato adatto alla commutazione di un carico capacitivo.

Assicurarsi che il connettore twist-lock del cavo di alimentazione dell'apparecchio LED sia allineato correttamente al connettore AC INPUT sul telaio dell'apparecchio e premere insieme fino a quando non si blocca.

Collegare la spina dell'alimentazione di rete al dispositivo di commutazione/alimentatore.
Accendere l'alimentazione di rete



- Per disconnettersi; ruotare il connettore twist-lock in senso antiorario per sbloccarlo e separarlo dall'apparecchiatura.

7. PRECAUZIONI QUANDO SI UTILIZZA L'APPARECCHIO A LED

Attenzione! Assicurarsi sempre che all'apparecchio sia collegata almeno una barra luminosa prima di accenderlo. Il sistema Zeus PRO è dotato di un driver LED intelligente che aumenta o diminuisce automaticamente la potenza in base alla quantità di barre luminose collegate al sistema.

Avvertimento! Attendere sempre 20-30 minuti affinché le barre luminose a LED si raffreddino prima di maneggiare l'apparecchiatura.

8. ISPEZIONE, MANUTENZIONE E RIPARAZIONE

Avvertimento! Scollegare l'apparecchio a LED dalla rete prima di eseguire qualsiasi operazione di manutenzione o riparazione.

Avvertimento! Non collegare o scollegare l'apparecchio LED sotto carico.

Avvertimento! Non aprire o smontare l'apparecchio a LED, non contiene parti riparabili all'interno. L'apertura dell'apparecchio a LED può essere pericolosa e invaliderà la garanzia.

Avvertimento! Attendere sempre 20-30 minuti affinché le barre luminose a LED si raffreddino prima di maneggiarle.

Attenzione! Non pulire l'apparecchio a LED con detersivi, abrasivi o altre sostanze aggressive.

Controllare regolarmente l'apparecchio a LED per l'accumulo di polvere o sporco. Pulisci se necessario. La contaminazione può causare surriscaldamento e prestazioni ridotte. Pulisci l'esterno dell'apparecchio a LED con un panno asciutto o umido.

Controllare regolarmente i cavi dell'apparecchio a LED per assicurarsi che non siano danneggiati.

9. STOCCAGGIO E SMALTIMENTO

Conservare l'apparecchio a LED in un ambiente asciutto e pulito, con una temperatura ambiente compresa tra -25°C e 55°C.

Il prodotto non deve essere smaltito come rifiuto urbano indifferenziato ma deve essere raccolto separatamente ai fini del trattamento, recupero e smaltimento ecocompatibile.

10. GARANZIA

Lumatek garantisce che i componenti meccanici ed elettronici del proprio prodotto sono privi di difetti di materiale e lavorazione se utilizzati in condizioni operative normali per un periodo di cinque (5) anni dalla data di acquisto originale. Se il prodotto mostra difetti entro questo periodo e tale difetto non è dovuto a un errore dell'utente o a un uso improprio, Lumatek dovrà, a sua discrezione, sostituire o riparare il prodotto utilizzando prodotti o parti nuovi o ricondizionati. Nel caso in cui Lumatek decida di sostituire l'intero prodotto, questa garanzia limitata si applicherà al prodotto sostitutivo per il restante periodo di garanzia iniziale, ovvero cinque (5) anni dalla data di acquisto del prodotto originale. Per servizio; restituisci il prodotto al tuo negozio con lo scontrino di vendita originale.

I prodotti Lumatek venduti nel territorio della Confederazione Svizzera sono fabbricati con numeri di serie specifici e sono specificatamente identificati per la vendita nel mercato della Confederazione Svizzera, essendo disponibili solo ai distributori svizzeri autorizzati. Se sei un cliente finale residente o domiciliato nella Confederazione Svizzera, la Garanzia Lumatek è valida solo per i prodotti con il numero di serie utilizzato esclusivamente per questo mercato.

LUMATEK ZEUS 1000W PRO EVO 3.1 LED MANUAL

FRANÇAIS

TABLE DES MATIÈRES

1. **Introduction**
2. **Description du produit**
3. **Informations et spécifications sur le produit**
 - 3.1 Informations générales sur le produit
 - 3.2 Spécifications techniques
 - 3.3 Dimensions du luminaire
 - 3.4 Graphique de distribution quantique spectrale
 - 3.5 Courbe de distribution de la lumière
 - 3.6 Environnement
 - 3.7 Mentions légales
4. **Recommandations de sécurité et avertissements**
5. **Contenu**
6. **Installation**
 - 6.1 Montage et installation du luminaire
 - 6.2 Connecter les barres de lumière LED
 - 6.3 Changement et remplacement des barres lumineuses et utilisation modulaire
 - 6.4 Installation du luminaire
 - 6.5 Raccordement du variateur manuel ou du contrôleur d'éclairage externe
 - 6.6 Connexion des luminaires en série pour une commande externe
 - 6.7 Raccordement du luminaire à LED au secteur
7. **Précautions à prendre lors de l'utilisation du luminaire à LED**
8. **Inspection, entretien et réparation**
9. **Stockage et élimination**
10. **Garantie**

1. INTRODUCTION

Nous vous remercions d'avoir acheté le luminaire linéaire à multiples barres LED ZEUS 1000W PRO EVO 3.1 de LUMATEK. Ce manuel décrit comment installer et utiliser le luminaire Zeus Pro. Veuillez lire attentivement ce manuel Avant d'essayer d'installer ou d'utiliser tout système de la série LUMATEK ZEUS. Si vous n'êtes pas à l'aise avec l'installation de systèmes d'éclairage à haute performance, vous devriez faire appel aux services d'un professionnel de l'installation qualifié.

2. DESCRIPTION DU PRODUIT

Le LUMATEK ZEUS 1000W PRO EVO 3.1 est un luminaire électronique à LED pour l'horticulture qui utilise un réseau linéaire avec dix barres lumineuses à LED de 100 W et un driver intelligent qui rend le luminaire contrôlable et dimmable extérieurement.

Le luminaire ZEUS 1000W PRO EVO 3.1 est une solution d'éclairage à cycle complet ultra-haute performance pour la culture horticole commerciale, avec la puissance et la flexibilité nécessaires pour passer de la propagation et du clonage à la croissance végétative et à des intensités lumineuses plus élevées en floraison. Dans ce manuel, le Lumatek Zeus 1000W PRO EVO 3.1 LED sera désigné par : "le luminaire à LED".

3. INFORMATIONS ET SPÉCIFICATIONS SUR LE PRODUIT

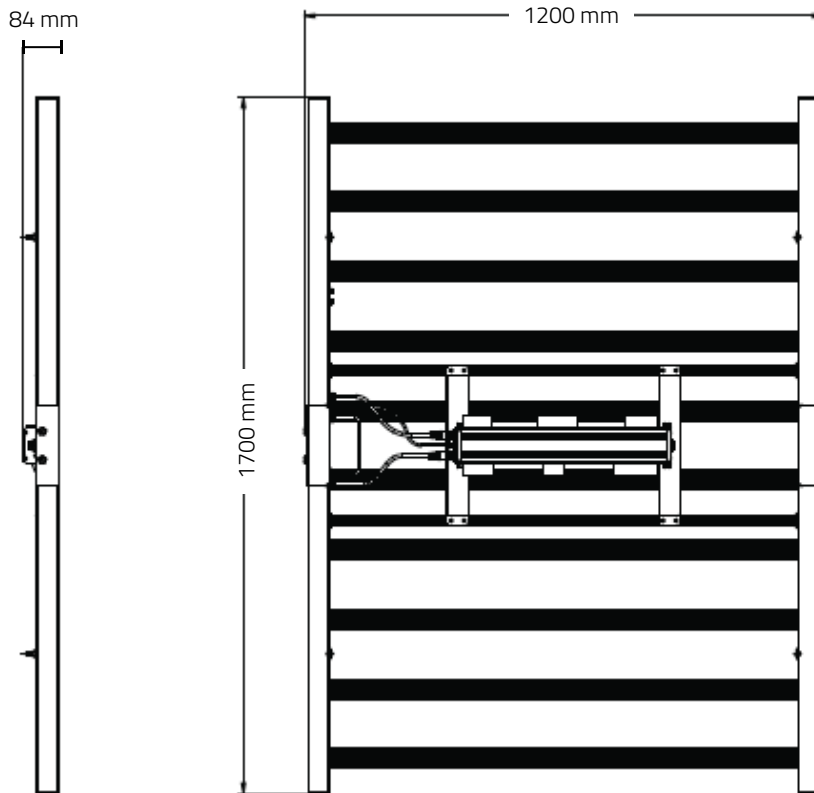
3.1 Informations générales sur le produit

NOM DU PRODUIT	ZEUS 1000W PRO EVO 3.1
CODE PRODUIT	LUMLED027
FABRICANT	LUMATEK EU
EAN	5060560032212

3.2 Spécifications techniques

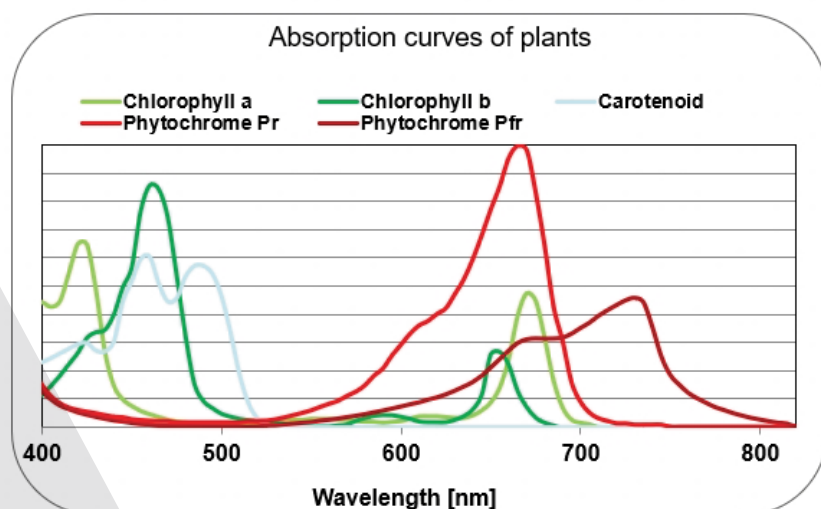
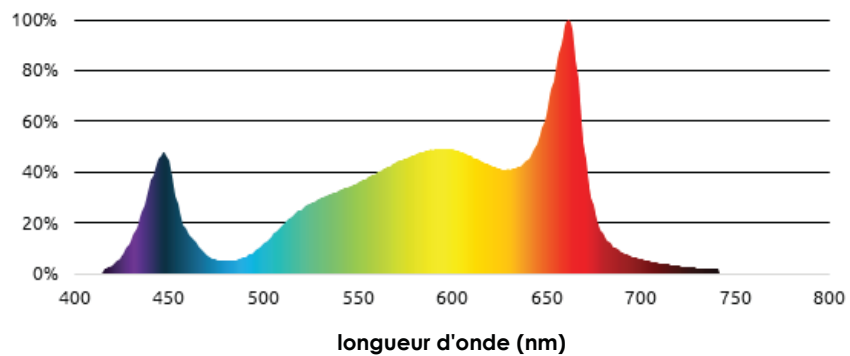
PPF	3125 $\mu\text{mol/s}$
EFFICACITÉ	3.1 $\mu\text{mol/J}$
PUISSANCE D'ENTRÉE @ 230VAC 100% o/p	1025W ($\pm 5\%$) @ 230 V AC
TENSION D'ENTRÉE	220-240 V AC 50/60 Hz
COURANT D'ENTRÉE @ 230VAC 100% o/p	4.9 A
TEMPÉRATURE DE FONCTIONNEMENT	-10 °C – +40 °C
TAUX D'HUMIDITÉ ACCEPTÉ	20% - 30%
FACTEUR DE PUISSANCE	> 0.95
DURÉE DE VIE	L90 > 60000 h
SPECTRE	Full-Spectrum F
SOURCE LUMINEUSE	SAMSUNG LM301H EVO OSRAM 4.24
DIMENSIONS (LxWxH)	1700 x 1200 x 84 mm
POIDS	18 Kg
ANGLE DE RAYONNEMENT	120°
VARIATION MANUELLE/CONTRÔLEUR DE LAMPE EXTERNE	0 - 10 V analog protocol
RÉSISTANCE À L'EAU/POUSSIÈRE	IP65

3.3 Dimensions du luminaire

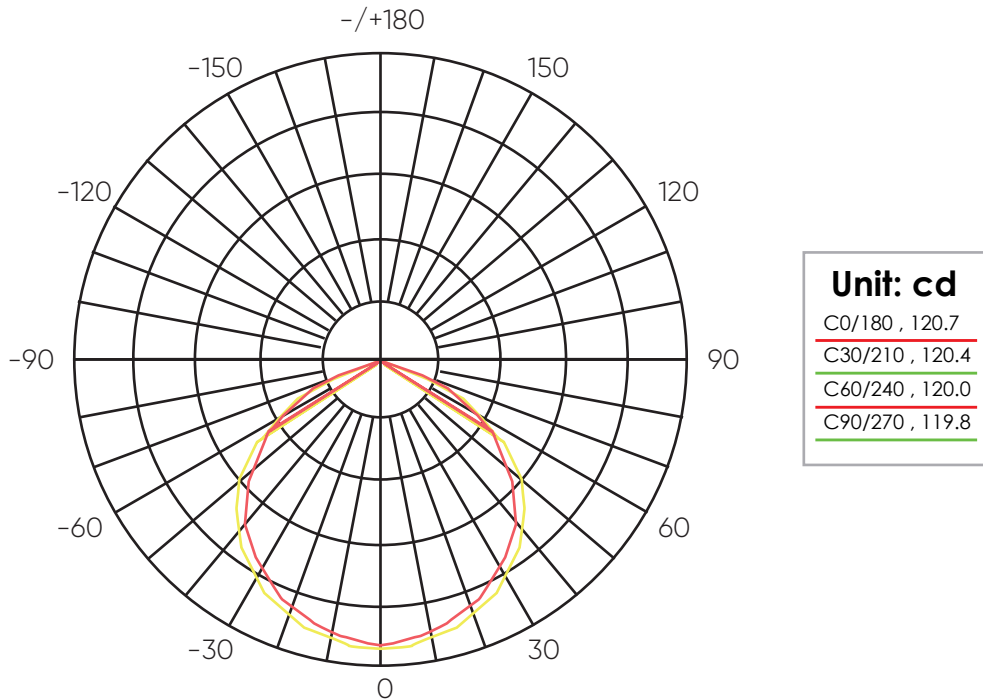


3.4 Graphique de distribution quantique spectrale

La série Zeus Pro utilise des LED horticoles blanches et rouges de haute qualité et très efficaces pour créer un spectre complet et équilibré de lumière de qualité, idéal pour la photosynthèse.



3.5 Courbe de distribution de la lumière



3.6 Environnement

Le luminaire à LED est destiné à être utilisé dans des salles de culture et des fermes intérieures à climat contrôlé. Le produit peut être utilisé dans des environnements humides mais ne peut pas être utilisé dans des environnements très humides/liquides ou à l'extérieur.

Le produit fonctionnera à des températures ambiantes allant de -10°C à 40 °C mais fonctionnera de manière optimale entre 20°C et 30°C.

Le produit fonctionnera dans un taux d'humidité de 20% à 90%, sans condensation.

3.7 Informations légales

Ce produit est conçu avec précision et qualité en tête, se conformant parfaitement aux normes de l'industrie, garantissant une expérience utilisateur qui répond et dépasse les normes attendues.

4. RECOMMANDATIONS DE SÉCURITÉ ET AVERTISSEMENTS

Avertissement ! Lisez attentivement les avertissements ci-dessous avant d'utiliser ou de travailler avec le produit !

- Respectez toujours les règles et réglementations locales lors de l'installation ou de l'utilisation du luminaire à LED.
- N'ouvrez pas ou ne démontez pas le luminaire à LED car il ne contient aucune pièce réparable. Ouvrir ou modifier le luminaire à LED peut être dangereux et annule la garantie.
- N'utilisez pas le luminaire à LED si le luminaire à LED ou son câble d'alimentation sont endommagés. Remplacez le câble d'alimentation uniquement par un câble de valeur nominale correcte.
- Les modifications apportées aux câbles peuvent entraîner des effets électromagnétiques indésirables qui peuvent rendre le produit non conforme aux exigences légales.
- N'exposez pas le luminaire à LED à :
 - De l'humidité condensée, brume épaisse ou pulvérisation directe;
 - Des températures ambiantes en dehors de la plage spécifiée;
 - De la poussière et de la pollution;
 - La lumière directe du soleil pendant l'utilisation ou de la lumière HID qui pourraient conduire à la surchauffe du transformateur.

- Débranchez toujours le luminaire à LED du secteur avant d'effectuer tout entretien.
- Laissez toujours refroidir l'appareil pendant au moins 20 à 30 minutes avant de le toucher.
Si vous touchez le luminaire à LED lorsqu'il est allumé ou immédiatement après, vous risquez de vous brûler !
- La convection naturelle évacue la chaleur du dissipateur. Pour que le système puisse se refroidir correctement, un espace d'au moins 5 cm est nécessaire entre l'appareil et le toit de votre espace de culture.
- N'utilisez pas de matériaux abrasifs ou de produits de nettoyage agressifs pour nettoyer le luminaire à LED car cela pourrait endommager l'optique secondaire. Utilisez plutôt un tissu/chiffon propre, humide ou sec.
- N'utilisez pas le luminaire à LED à proximité de substances inflammables, explosives ou réactives.
Le luminaire à LED peut atteindre des températures de 40 °C.
- Ne pas utiliser de vaporisateurs de soufre ou de brumisateurs d'eau.
- L'installation et l'utilisation du luminaire à LED sont de la responsabilité de l'utilisateur final. Une utilisation ou une installation incorrecte peut entraîner une panne et endommager le luminaire à LED. Tout dommage au luminaire à LED et aux circuits électroniques résultant d'une installation ou d'une utilisation incorrecte annule la garantie.

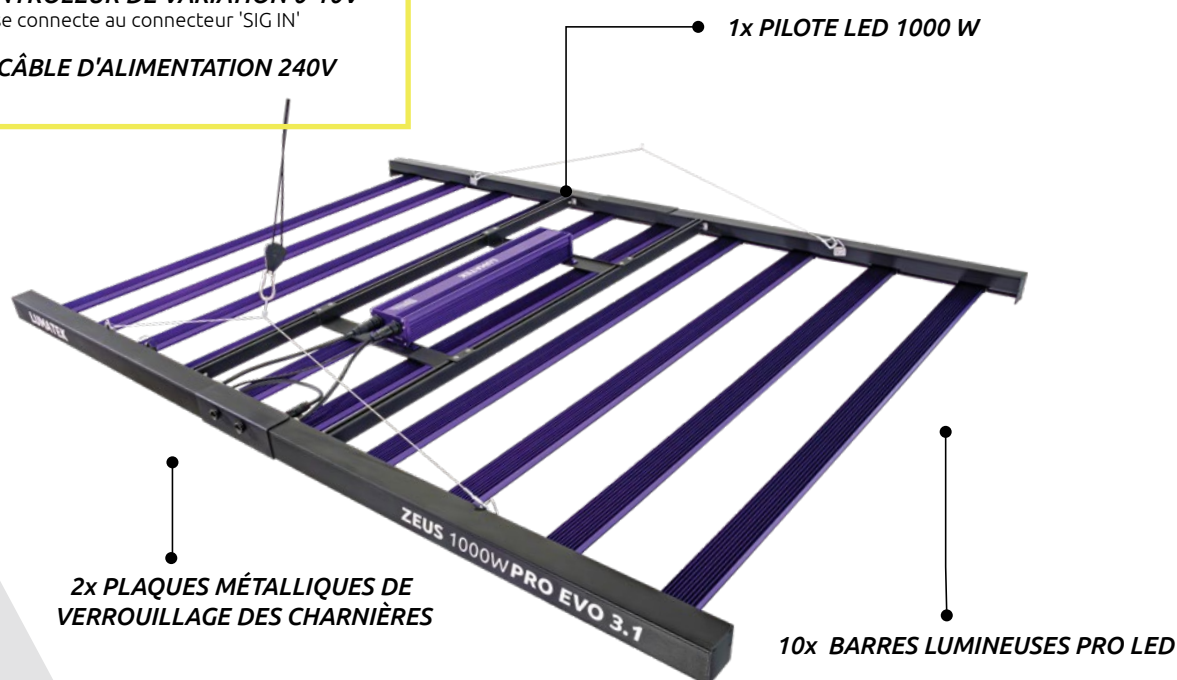
5. CONTENU

1x MANUEL D'UTILISATION

2x SUPPORTS DE CÂBLES EN MÉTAL

1x CONTRÔLEUR DE VARIATION 0-10V
se connecte au connecteur 'SIG IN'

1x CÂBLE D'ALIMENTATION 240V



6. INSTALLATION

Avertissement! Le montage et l'installation du luminaire à LED doivent être conformes aux lois et réglementations locales en vigueur.

Avertissement! L'installateur est responsable d'une installation correcte et sécurisée.

Avertissement! Assurez-vous que le câblage local peut supporter les exigences de tension et de courant du luminaire à LED.

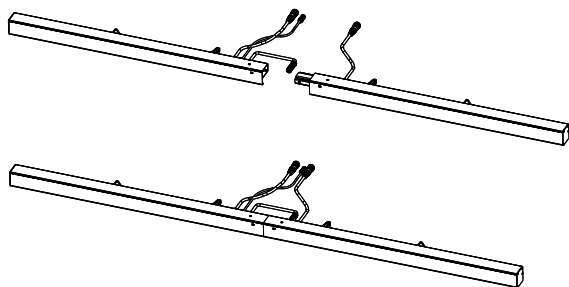
Avertissement! Évitez les câbles en spirale et gardez les fils d'alimentation séparés pour contribuer à l'évitement des interférences électromagnétiques.

Avertissement! Ne pas connecter ou déconnecter le luminaire à LED sous tension.

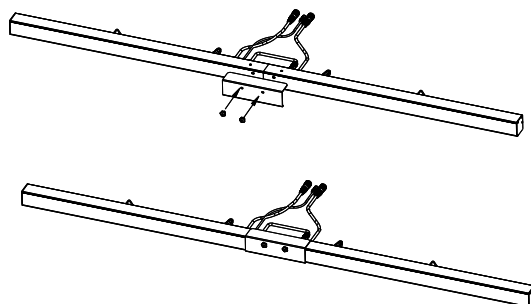
6.1 Montage et installation du luminaire

Le cadre du dispositif est composé de plusieurs pièces incluses dans l'emballage. Commencez par assembler les pièces du cadre après les avoir retirées de l'emballage. Deux plaques métalliques de fixation sont fournies pour sécuriser les unions de barres.

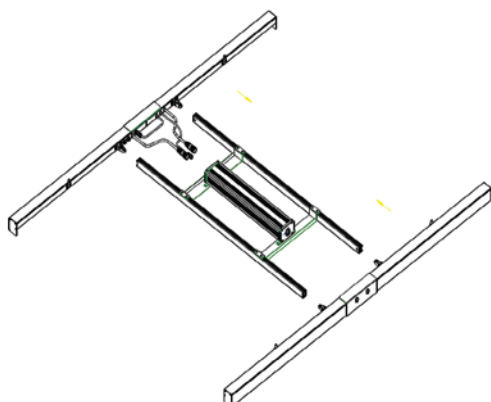
Étape 1: Alignez et joignez les barres qui ont les câbles. Répétez le processus pour les autres barres.



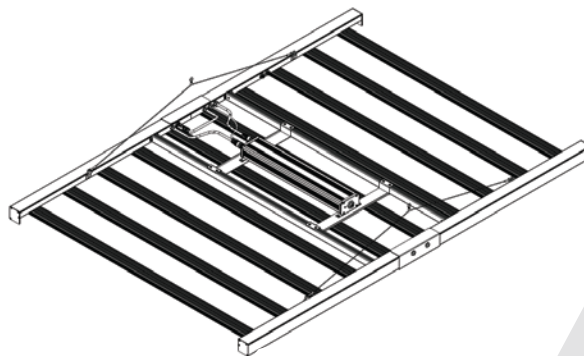
Étape 2: Utilisez les deux plaques métalliques de fixation pour assurer l'union des barres.



Étape 3: Connectez les barres assemblées au cadre.

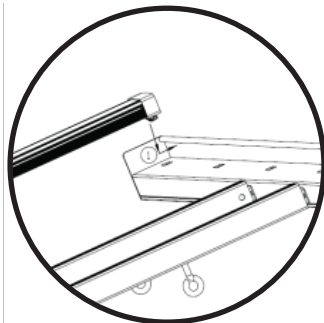


Étape 4: Connectez les câbles et fixez les crochets métalliques au luminaire. Connectez les barres LED.

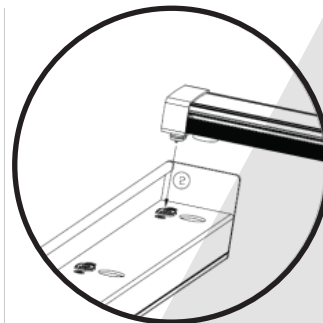


6.2 Connecter les barres de lumière LED

Avertissement! Les barres lumineuses sont expédiées avec des couvercles de protection en plastique sur les diodes. Veillez à ce que ces protections soient retirées avant l'utilisation !



Installez d'abord l'extrémité du crochet; insérez le crochet dans le trou carré.



Insérez ensuite l'autre extrémité ; alignez le connecteur magnétique de la barre lumineuse avec le trou rond du connecteur du support et insérez la broche mâle dans la prise femelle. Assurez-vous que la connexion magnétique est bien fixée.

6.3 Changement et remplacement des barres lumineuses et utilisation modulaire

La conception modulaire du luminaire LED utilise des transformateurs LED intelligents qui peuvent diminuer ou augmenter automatiquement la puissance en fonction du nombre de barres lumineuses de 100 W installées sur le luminaire. Si toutes les barres lumineuses ne sont pas nécessaires, les pilotes ne consommeront que la puissance requise pour le nombre de barres lumineuses connectées, par exemple, si six barres lumineuses sont connectées, les pilotes ne consommeront que 600 W pour les alimenter.

Attention! Au moins une barre lumineuse doit être installée dans le luminaire avant de l'allumer.

6.4 Installation du luminaire

Attention! Montez le système sur quelque chose qui peut supporter le poids du luminaire à LED.

Assurez-vous que toutes les barres lumineuses sont installées correctement et sont bien fixées. Retournez soigneusement le luminaire et fixez les crochets de câbles métalliques aux crochets de montage. Accrochez le luminaire dans la position et à la hauteur requises. Pour une performance optimale, placez le luminaire à 50-100 cm au-dessus de la couverture végétale pour une diffusion de la lumière de 1,5 x 2 m. Veillez à ce que le luminaire soit suspendu horizontalement.

Fixez les accroches-câbles
aux crochets de montage.



6.5 Raccordement du variateur manuel ou du contrôleur d'éclairage externe

Le variateur de lumière ou le contrôleur d'éclairage est connecté au connecteur "SIG IN" sur le support du luminaire. Cela permet de régler l'intensité lumineuse (sortie PPF) en fonction des besoins. L'intensité lumineuse du luminaire à LED peut être ajustée sans modifier la distribution de la puissance spectrale relative ni perdre en efficacité.

Retirez le capuchon et assurez-vous que les connecteurs mâle et femelle sont correctement alignés, puis poussez-les l'un vers l'autre jusqu'à ce qu'ils soient verrouillés par un clic. Pour déconnecter, tournez le verrou tournant dans le sens inverse des aiguilles d'une montre et séparez-les.



Connectez le câble du variateur manuel ou
le câble du contrôleur d'éclairage au port
SIG IN (prise de gauche).

6.6 Connexion des appareils en série pour une commande externe

Pour des instructions détaillées, veuillez vous référer au manuel du panneau de contrôle Lumatek.

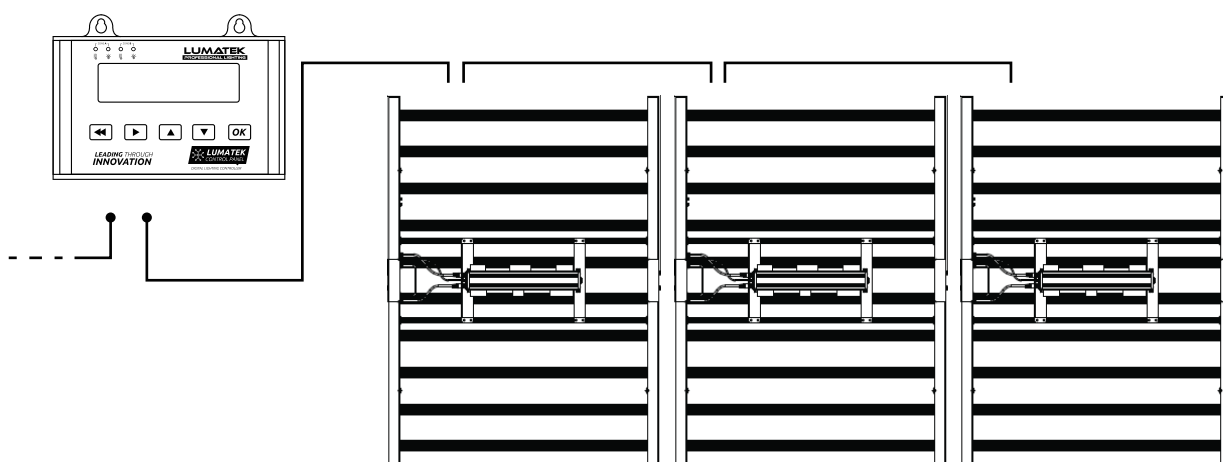
Positionnez et suspendez chaque appareil de manière appropriée.

Les luminaires de la série ZEUS utilisent un protocole de signal 0-10V pour le contrôle.

Connectez le câble du signal de sortie du contrôleur au connecteur SIG IN du luminaire 1.

Connectez le câble de signal de contrôle en guirlande du connecteur SIG OUT du luminaire 1 au connecteur SIG IN du luminaire 2.

Continuez à connecter les appareils en série pour un maximum de 100 luminaires par contrôleur, voir Fig.



6.7 Raccordement du luminaire à LED au secteur

Avertissement! Assurez-vous que l'alimentation secteur est coupée.

Avertissement! Assurez-vous que le câble d'alimentation n'est pas enroulé et qu'il ne touche pas de surfaces chaudes.

Avertissement! Connectez les câbles conformément aux règles locales, aux règlements de sécurité et au code électrique.

Attention! Si vous n'utilisez pas de contrôleur d'éclairage externe, assurez-vous que le dispositif de commutation externe peut supporter le courant d'appel de l'appareil à LED. Utilisez impérativement un contacteur à minuterie numérique adapté à la commutation d'une charge capacitive.

Assurez-vous que le connecteur à verrouillage rotatif du câble d'alimentation du luminaire à LED est correctement aligné avec le connecteur AC INPUT du support du luminaire et poussez-le jusqu'à ce qu'il soit verrouillé.

Branchez la fiche d'alimentation secteur sur l'appareil de commutation/l'alimentation électrique. Mettez l'appareil sous tension.



- Pour déconnecter, tournez le connecteur à verrouillage rotatif dans le sens inverse des aiguilles d'une montre pour le déverrouiller et tirez pour le séparer de l'appareil.

7. PRÉCAUTIONS À PRENDRE LORS DE L'UTILISATION DU LUMINAIRE À LED

Attention! Assurez-vous toujours qu'au moins une barre lumineuse est connectée au luminaire avant de l'allumer. Le Zeus PRO est équipé d'un driver LED intelligent qui augmentera ou diminuera la puissance en fonction du nombre de barres lumineuses connectées au système.

Avertissement! Attendez toujours 20 à 30 minutes pour que les barres lumineuses à LED refroidissent avant de manipuler le luminaire.

8. INSPECTION, ENTRETIEN ET RÉPARATION

Avertissement! Déconnectez le luminaire à LED du secteur avant d'effectuer toute maintenance ou réparation.

Avertissement! Ne pas connecter ou déconnecter le luminaire à LED sous tension.

Avertissement! N'ouvrez pas ou ne démontez pas le luminaire à LED, il ne contient aucune pièce réparable. Ouvrir le luminaire à LED peut être dangereux et annule la garantie.

Avertissement! Attendez toujours 20 à 30 minutes pour que les barres lumineuses à LED refroidissent avant de les manipuler.

Attention! Ne nettoyez pas le luminaire à LED avec des détergents, des abrasifs ou d'autres substances agressives.

Vérifiez régulièrement l'absence de poussière ou d'accumulation de saletés sur le luminaire à LED. Nettoyez-le si nécessaire. La pollution peut entraîner une surchauffe et une diminution des performances. Nettoyez l'extérieur du luminaire à LED à l'aide d'un chiffon sec ou humide.

Vérifiez régulièrement les câbles du luminaire à LED pour vous assurer qu'ils ne sont pas endommagés.

9. STOCKAGE ET DISPOSITION

Stockez le luminaire LED dans un environnement sec et propre, avec une température ambiante de -25°C à 55°C.

Le produit ne doit pas être jeté comme un déchet municipal non trié, mais doit être collecté séparément à des fins de traitement, de récupération et d'élimination écologiquement propre.

10. GARANTIE

Lumatek garantit que les composants mécaniques et électroniques de son produit sont exempts de défauts de matériaux et de fabrication s'ils sont utilisés dans des conditions normales d'exploitation pendant une période de cinq (5) ans à compter de la date d'achat originale. Si le produit présente des défauts pendant cette période et que ces défauts ne sont pas dus à une erreur de l'utilisateur ou à une utilisation incorrecte, Lumatek remplacera ou réparera, à sa discrétion, le produit en utilisant des produits ou des pièces neufs ou reconditionnés. Dans le cas où Lumatek décide de remplacer l'ensemble du produit, cette garantie limitée s'appliquera au produit de remplacement pour la période de garantie initiale restante, c'est-à-dire cinq (5) ans à compter de la date d'achat du produit original. Pour ce service, retournez le produit à votre magasin avec le reçu d'achat original.

Les produits Lumatek vendus sur le territoire de la Confédération Suisse sont fabriqués avec différents numéros de série et sont spécifiquement identifiés pour la vente sur le marché de la Confédération Suisse, étant disponibles uniquement pour les distributeurs suisses autorisés. Si vous êtes un client final résidant ou domicilié dans la Confédération Suisse, la Garantie Lumatek n'est valable que pour les produits avec le numéro de série utilisé exclusivement pour ce marché.

LUMATEK ZEUS 1000W PRO EVO 3.1 LED MANUAL

ČEŠTINA

OBSAH

- 1. Úvod**
- 2. Popis produktu**
- 3. Informace o produktu a technické údaje**
 - 3.1 Obecné informace o produktu
 - 3.2 Technické specifikace
 - 3.3 Rozměry svítidla
 - 3.4 Spektrální kvantový distribuční graf
 - 3.5 Křivka distribuce světla
 - 3.6 Prostředí
 - 3.7 Právní
- 4. Bezpečnostní doporučení a varování**
- 5. Obsah**
- 6. Instalace**
 - 6.1 Montáž a instalace svítidla
 - 6.2 Připojte LED světelné lišty
 - 6.3 Výměna světelných lišt a modulární použití
 - 6.4 Instalace svítidla
 - 6.5 Připojení ručního stmívače nebo externího ovladače osvětlení
 - 6.6 Zapojení zařízení do série pro externí ovládání
 - 6.7 Připojení LED zařízení k síti
- 7. Opatření při používání LED svítidla**
- 8. Inspekce, údržba a opravy**
- 9. Skladování a likvidace**
- 10. Záruka**

1. ÚVOD

Děkujeme, že jste si zakoupili lineární LED svítidlo s více světelnými lištami Lumatek ZEUS 1000W PRO EVO 3.1. Tato příručka popisuje, jak zařízení Zeus Pro nainstalovat a používat; před instalací nebo provozem jakéhokoli systému řady Lumatek Zeus si pečlivě přečtěte tuto příručku. Pokud si nejste jisti instalací vysoce výkonných osvětlovacích systémů, měli byste vyhledat služby kvalifikovaného instalačního odborníka.

2. POPIS PRODUKTU

LUMATEK ZEUS 1000W PRO EVO 3.1 je elektronické zahradní LED svítidlo s lineárním uspořádáním s deseti 100 W LED světelnými lištami a inteligentním ovladačem, který umožňuje externí ovládání a stmívání. Svítidlo ZUES 1000W PRO EVO 3.1 je ultra výkonné špičkové řešení plnohodnotného osvětlení pro komerční pěstírny, s výkonem a flexibilitou od počátku růstu a klonování, přes vegetativní růst až po vyšší intenzitu světla v květu.

V této příručce bude Lumatek Zeus 1000W PRO EVO 3.1 LED označován jako: „LED svítidlo“.

3. INFORMACE O PRODUKTU A TECHNICKÉ ÚDAJE

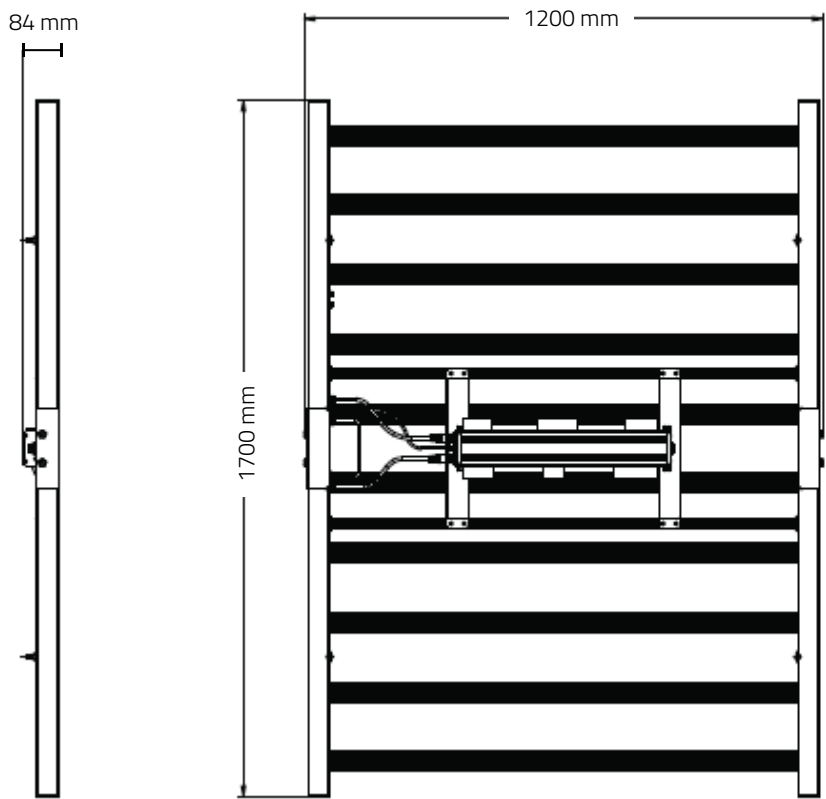
3.1 Obecné informace o produktu

JMÉNO PRODUKTU	ZEUS 1000W PRO EVO 3.1
KÓD PRODUKTU	LUMLED027
VÝROBCE	LUMATEK EU
EAN	5060560032212

3.2 Technické specifikace

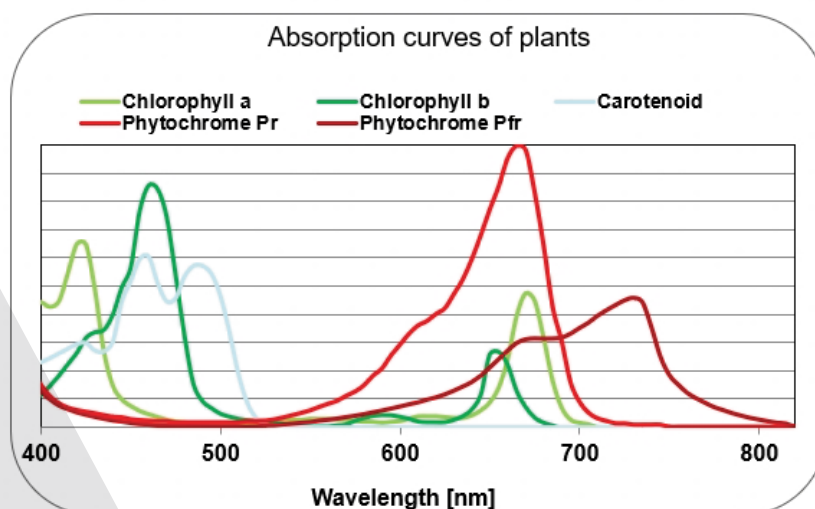
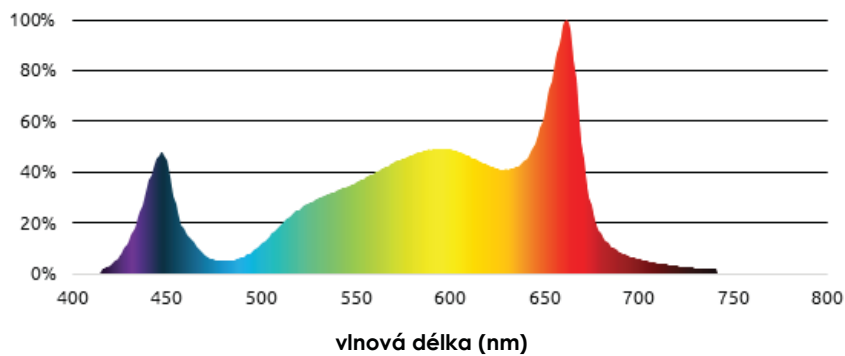
PPF	3125 $\mu\text{mol/s}$
ÚČINNOST	3.1 $\mu\text{mol/J}$
PŘÍKON @ 230VAC 100%	1025W ($\pm 5\%$) @ 230 V AC
VSTUPNÍ NAPĚTÍ	220-240 V AC 50/60 Hz
VSTUPNÍ PROUD @ 230VAC 100%	4.9 A
PRACOVNÍ TEPLOTA	-10 °C – +40 °C
PRACOVNÍ VLHKOST	20% - 30%
VYUŽITÍ ENERGIE	> 0.95
ŽIVOTNOST	L90 > 60000 h
SPEKTRUM	Celé spectrum F
ZDROJ SVĚTLA	SAMSUNG LM301H EVO OSRAM 4.24
ROZMĚRY (LxWxH)	1700 x 1200 x 84 mm
VÁHA	18 Kg
ÚHEL PAPRSKU	120°
MANUÁLNÍ OVLADAČ STMÍVÁNÍ/ EXTERNÍHO OSVĚTLENÍ	0 - 10 V analogový protokol
VODOTĚSNOST/ PRACHOTĚSNOST	IP65

3.3 Rozměry svítidla

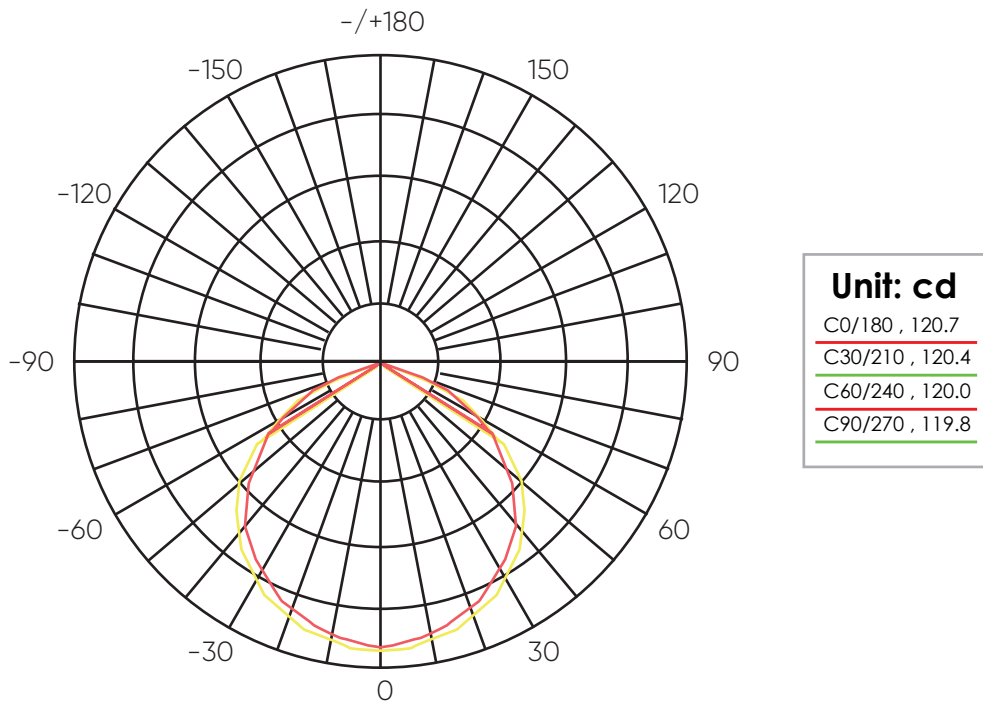


3.4 Spektrální kvantový distribuční graf

Řada ZEUS Pro využívá vysoce výkonné a vysoce efektivní bílé a červené LED diody určené k pěstování, díky čemu vytváří vyvážené spektrum kvalitního světla ideálního pro fotosyntézu.



3.5 Křivka distribuce světla



3.6 Prostředí

LED svítidlo je určeno k použití v klimaticky řízených pěstírnách a vnitřních farmách. Produkt může být používán ve vlhkém prostředí, ale nesmí být používán v mokřem prostředí nebo venku. Produkt bude fungovat při okolních teplotách od -10 ° C do 40 ° C, ale nejlépe bude fungovat při optimální teplotě mezi 20 ° C až 30 ° C. Produkt bude pracovat při 20% - 90% vlhkosti, bez kondenzace.

3.7 Právní

Tento produkt je navržen s presností a kvalitou na mysli, naše zařízení bezproblémově splňuje průmyslové normy, což zaručuje uživatelský zážitek, který odpovídá a překračuje očekávané normy.

4. BEZPEČNOSTNÍ DOPORUČENÍ A UPOZORNĚNÍ

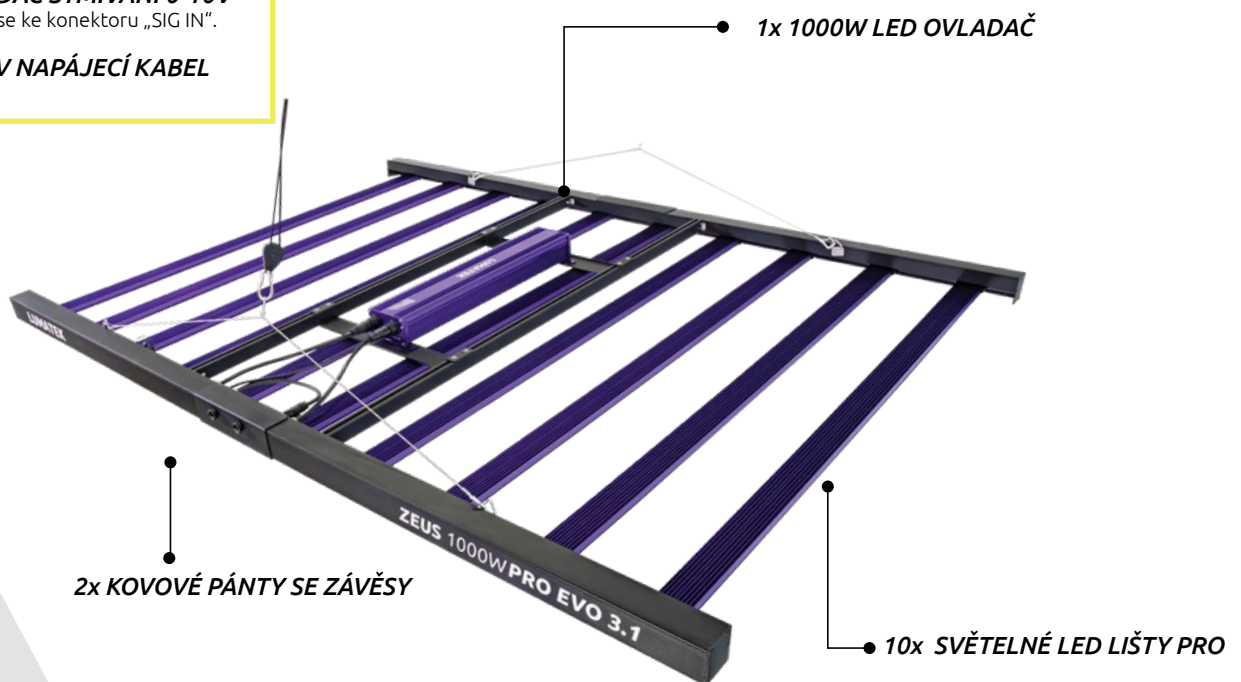
Varování! ! Před použitím nebo prací s výrobkem si pozorně přečtete níže uvedená varování!

- Při instalaci nebo používání LED svítidla vždy dodržujte místní pravidla a předpisy.
- LED svítidlo Neotvírejte ani nerozebírejte, uvnitř neobsahuje žádné opravitelné součásti. Otevření nebo úprava LED zařízení může být nebezpečné a ruší záruku.
- Nepoužívejte LED zařízení, pokud je zařízení samotné poškozeno, nebo pokud je poškozen jeho napájecí kabel. Napájecí kabel vyměňujte pouze za správně dimenzovaný kabel.
- Úpravy kabelů mohou vést k nežádoucím elektromagnetickým účinkům, které mohou způsobit, že produkt nebude splňovat zákonné požadavky.
- Nevystavujte svítidlo LED:
 - Kondenzující vlhkost, hustá mlha nebo přímý postřík vodou;
 - Okolní teplotě mimo stanovený rozsah;
 - Prach a znečištění;
 - Přímé sluneční světlo během používání nebo HID světlu, protože může dojít z zahřátí zdroje.

- Před prováděním jakékoli údržby LED zařízení vždy odpojte od sítě.
- Než se dotknete LED zařízení, vždy počkejte alespoň 20 - 30 minut. Dotknutí se LED zařízení během provozu, nebo bezprostředně po něm, může způsobit popáleniny!
- Přirozená konvekce odvádí teplo od chladiče. Pro zajištění správného chlazení je zapotřebí alespoň 5 cm prostoru mezi přípravkem a střešou vaší pěstírny.
- K čištění LED svítidla nepoužívejte abrazivní materiály ani agresivní čisticí prostředky, protože by mohlo dojít k poškození sekundární optiky. Místo toho použijte čistou suchou nebo vlhkou látku / hadřík.
- Nepoužívejte LED svítidlo v blízkosti hořlavých, výbušných nebo reaktivních látek. LED svítidlo může dosáhnout teploty až 40 ° C.
- Nepoužívejte odpařovače síry nebo vodní mlhy.
- Za instalaci a používání LED svítidla odpovídá konečný uživatel. Nesprávné použití nebo instalace může vést k poruše a poškození LED zařízení. Poškození LED zařízení a elektronických obvodů v důsledku nesprávné instalace a použití ruší záruku.

5. OBSAH

1x UŽIVATELSKÁ PŘÍRUČKA
2x KOVOVÉ VĚŠÁKY NA KABELY
1x OVLADAČ STMÍVÁNÍ 0-10V
 Připojuje se ke konektoru „SIG IN“.
1x 240V NAPÁJECÍ KABEL



6. INSTALACE

Varování! Montáž a instalace LED svítidla musí být v souladu s platnými místními zákony a předpisy.

Varování! Instalační technik odpovídá za správnou a bezpečnou instalaci.

Varování! Zajistěte, aby místní kabeláž byla dostatečně kalibrována pro plnění požadavek napětí a proudu LED svítidla.

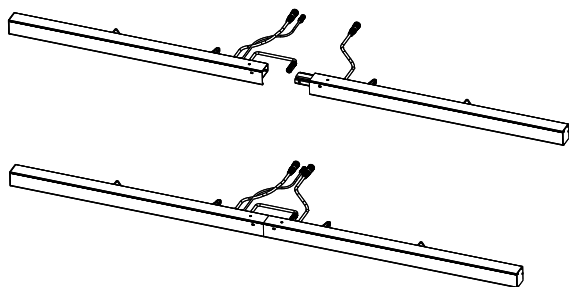
Varování! Vyvarujte se stáčení kabelů a udržujte napájecí kabely oddělené, díky čemuž zabráníte elektromagnetickému rušení.

Varování! Nepřipojujte ani neodpojujte LED zařízení pod zátěží.

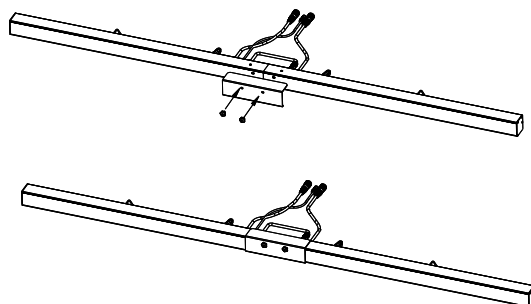
6.1 Montáž a instalace svítidla

Rám výrobku se skládá z různých dílů, které jsou součástí balení. Po vyjmutí částí rámu z obalu je začněte sestavovat. K zajištění svazků světelných tyčí jsou k dispozici dvě kovové zajišťovací desky.

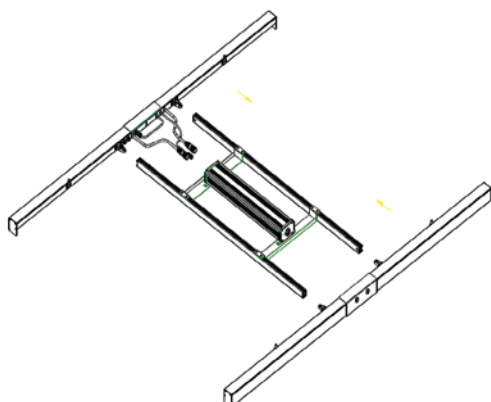
Krok 1: Vyrovnajte a spojte světelné lišty s kabely. Postup zopakujte i u ostatních světelných lišt.



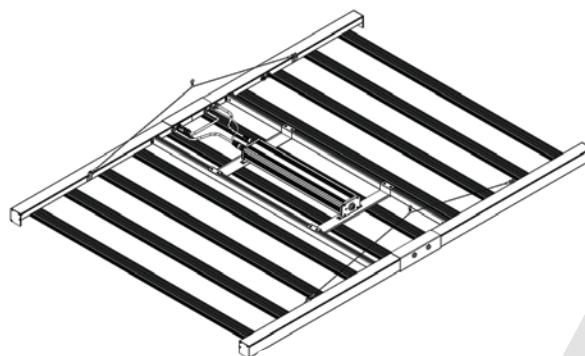
Krok 2: Pomocí dvou kovových zajišťovacích destiček zajistěte světelné lišty dohromady.



Krok 3: Připojte sestavené světelné lišty k rámu.

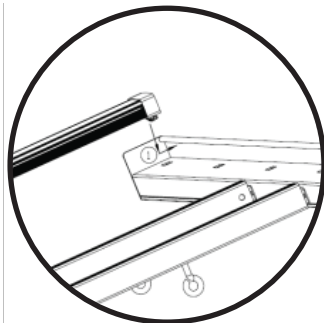


Krok 4: Připojte kabely a připevněte kovové závěsy k upevnění. Připojte světelné lišty LED.

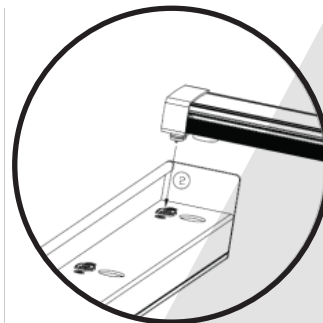


6.2 Připojení světelných LED lišt

Varování! Světelné lišty jsou dodávány s ochrannými plastovými kryty přes diody. Před použitím se ujistěte, že jsou tyto ochranné kryty odstraněny!



Nejprve nainstalujte zadní hák; zasuňte hák do čtvercového otvoru.



Poté vložte druhý konec; zarovnejte magnetický konektor světelné lišty s kulatým otvorem s konektorem rámu a zasuňte jej do zásuvky. Ujistěte se, že magnetické připojení je bezpečné.

6.3 Výměna světelných lišt a modulární použití

Modulární konstrukce LED svítidla využívá inteligentní LED ovladače, které mohou snižovat nebo zvyšovat výkon tak, aby automaticky odpovídaly množství instalovaných 100W světelných lišt na zařízení. Pokud nejsou všechny světelné lišty vyžadovány, budou ovladače odebírat pouze požadovaný výkon pro množství připojených světelných lišt, např. pokud je připojeno pouze šest světelných lišt, budou ovladače napájet pouze 600 W.

Varování! Před zapnutím musí být v svítidle nainstalována alespoň jedna světelná lišta.

6.4 Instalace svítidla

Varování! Připevněte systém na něco, co unese váhu LED zařízení.

Ujistěte se, že jsou všechny světelné lišty správně a bezpečně nainstalovány. Opatrně otočte přípravek a připevněte kovové věšáky na kabely k montážním háčkům. Zavěste svítidlo do požadované polohy a výšky. Svítidlo umístěte pro optimální výkon 50 - 100 cm nad vrchlík rostliny pro rozptýl světla 1,5 x 2 m. Zajistěte, aby bylo zařízení zavěšeno vodorovně.

Připevněte závěsy kabelů k montážním háčkům.



6.5 Připojení ručního nebo externího ovladače osvětlení

Ovládání stmívače nebo ovladače osvětlení je připojeno ke konektoru „SIG IN“ na rámečku zařízení. To umožňuje upravit intenzitu světla (výstup PPF) podle požadavků. Intenzitu světla LED svítidla lze upravit beze změny relativního rozložení spektrálního výkonu nebo ztráty účinnosti.

Sejměte protiprachovou krytku a ujistěte se, že jsou zásuvky i zástrčky správně zarovnané, a poté je přitlačte k sobě až nezaklapnou. Odpojení; otočte otočným zámkem proti směru hodinových ručiček a vytáhněte je směrem od sebe.



Připojte kabel ručního stmívače nebo ovladače osvětlení k portu SIG IN (levá zásuvka).

6.6 Zapojení zařízení do série pro externí ovládání

Podrobné pokyny naleznete v příručce k ovládacímu panelu Lumatek.

Umístěte a zavěste každé zařízení odpovídajícím způsobem.
Svítilna řady ZEUS používají k ovládacímu protokolu signálu 0-10V.

Připojte kabel výstupního signálu ovladače ke konektoru 1 SIG IN zařízení.
Připojte řídicí signální kabel zapojený do série z konektoru SIG OUT zařízení 1 na konektor SIG IN zařízení 2.
Pokračujte v zapojování svítidel do série až do 100 svítidel na ovladač, viz obr.



6.7 Připojení LED zařízení k síti

Varování! Ujistěte se, že je napájení ze sítě vypnuto.

Varování! Ujistěte se, že napájecí kabel není svinut a nedotýkal se žádných horkých povrchů.

Varování! Připojte kabely podle místních bezpečnostních a elektrických předpisů.

Varování! Pokud nepoužíváte externí ovladač osvětlení, ujistěte se, že externí spínací zařízení zvládne rozběhový proud svítidla LED. Vždy používejte digitální časový stykač vhodný pro spínání kapacitní zátěže. Ujistěte se, že je otočný zámek konektoru kabelu napájecího LED zdroj je správně zarovnan s AC INPUT konektorem na rámu zařízení a zatlačte je k sobě, až nezaklapnou.

Připojte síťovou zástrčku ke spínacímu zařízení/napájecímu zdroji.

Zapněte síťové napájení.



- K odpojení; otočením otočného zámku proti směru hodinových ručiček jej odemknete a zatáhnutím od sebe dojde k odpojení.

7. OPATŘENÍ PŘI POUŽÍVÁNÍ LED SVÍTIDLA

Varování! Před zapnutím se vždy ujistěte, že je ke svítidlu připojena alespoň jedna světelná lišta. Svítidlo Zeus PRO je vybaveno inteligentním regulátorem LED, který automaticky zvýší nebo sníží výkon podle počtu připojených světelných listů.

Varování! Před manipulací se svítidlem vždy počkejte 20 - 30 minut, než se LED světelné lišty ochladí.

8. INSPEKCE, ÚDRŽBA A OPRAVY

Varování! Před prováděním jakékoli údržby nebo opravy odpojte LED svítidlo od elektrické sítě.

Varování! Nepřipojujte ani neodpojujte LED svítidla pod zátěží.

Varování! Neotvírejte ani nerozebírejte LED svítidlo, které uvnitř neobsahuje žádné opravitelné části. Otevření LED svítidla může být nebezpečné a ruší platnost záruky.

Varování! Před manipulací se svítidlem vždy počkejte 20 - 30 minut, než LED světelné lišty vychladnou.

Pozor! Nečistěte svítidlo LED čistícími prostředky, abrazivními prostředky nebo jinými agresivními látkami.

Pravidelně kontrolujte, zda-li není na LED svítidle usazený prach nebo nečistoty. V případě potřeby je odstraňte. Znečištění může způsobovat přehřívání a snižování výkonu. Vnější část LED svítidla očistěte suchým nebo vlhkým hadříkem.

Pravidelně kontrolujte kabely LED svítidla, zda nejsou poškozené.

9. SKLADOVÁNÍ A LIKVIDACE

LED svítidlo skladujte v suchém a čistém prostředí s okolní teplotou od -25 ° C do 55 ° C.

Produkt nesmí být likvidován jako netříděný komunální odpad, ale musí být separován za účelem zpracování, využití a ekologické likvidace.

10. ZÁRUKA

Společnost Lumatek zaručuje, že mechanické a elektronické součástky produktu neobsahují vady materiálu a zpracování, pokud jsou používány za normálních provozních podmínek po dobu pěti (5) let od původního data zakoupení. Pokud výrobek během této doby vykazuje vady a vada není způsobena chybou uživatele nebo nesprávným použitím, společnost Lumatek podle svého uvážení buď vymění nebo opraví produkt pomocí vhodných nových nebo repasovaných produktů nebo dílů. V případě, že se společnost Lumatek rozhodne vyměnit celý produkt, bude se tato omezená záruka vztahovat na náhradní produkt po zbývající část počáteční záruční doby, tj. pět (5) let od data zakoupení původního produktu. Pro údržbu; produkt vraťte do obchodu s originální stvrzenkou o prodeji.

Produkty Lumatek prodávané na území Švýcarské konfederace jsou vyráběny se samostatnou řadou sériových čísel a označeny jako výhradně určené k prodeji na trhu Švýcarské konfederace. Tyto produkty jsou přístupné pouze autorizovaným švýcarským distributorům. Pokud jste například koncový spotřebitel s bydlištěm nebo sídlem ve Švýcarské konfederaci, záruka Lumatek se vztahuje pouze na produkty označené sériovým číslem používaným výhradně na tomto trhu.

คู่มือ LUMATEK ZEUS 1000W PRO EVO 3.1 LED

ภาษาไทย

สารบัญ

1. บทนำ
2. คำอธิบายผลิตภัณฑ์
3. ข้อมูลและข้อมูลจำเพาะผลิตภัณฑ์
 - 3.1 ข้อมูลทั่วไปของผลิตภัณฑ์
 - 3.2 ข้อมูลจำเพาะทางเทคนิค
 - 3.3 ขนาดโคมไฟ
 - 3.4 กราฟสเปกตรัม
 - 3.5 การกระจายแสงของโคม
 - 3.6 สภาพแวดล้อม
 - 3.7 สภาพแวดล้อม
4. คำแนะนำและคำเตือนด้านความปลอดภัย
5. สิ่งที่มาพร้อมสินค้า
6. การติดตั้ง
 - 6.1 การประกอบและการติดตั้งโคมไฟ
 - 6.2 การต่อแท่งหลอดไฟ LED
 - 6.3 การต่อและถอดไดรเวอร์
 - 6.4 การเปลี่ยนและใส่แท่งหลอดไฟใหม่ และการใช้โมดูลแปลงไฟ
 - 6.5 การติดตั้งโคมไฟ
 - 6.6 การต่อโคมชุดโคมไฟสำหรับการควบคุมภายนอก
 - 6.7 การต่อโคมไฟ LED เข้ากับไฟเมน
7. ข้อพึงระวังเมื่อใช้โคมไฟ LED
8. การตรวจสอบ การบำรุงรักษา และการซ่อมแซม
9. การจัดเก็บและการกำจัด
10. การรับประกัน

1. บทนำ

ขอขอบคุณที่ท่านซื้อผลิตภัณฑ์โคมไฟ LED แบบหลากแท่ง Lumatek Zeus 1000W Pro EVO 3.1 คู่มือขุดนี้อธิบายวิธีการติดตั้งและการใช้โคมไฟ Zeus Pro กรุณาอ่านคู่มือนี้โดยละเอียดก่อนทำการติดตั้ง หรือใช้งานระบบไฟ Lumatek Zeus Series หากท่านไม่มั่นใจในการติดตั้งระบบแสงสว่างสมรรถนะสูงด้วยตัวเอง ท่านควรรับบริการติดตั้งจากผู้ให้บริการมืออาชีพที่มีความชำนาญ

2. คำอธิบายผลิตภัณฑ์

LUMATEK ZEUS 1000W PRO EVO 3.1 เป็นอุปกรณ์ติดตั้งไฟ LED สำหรับพืชสวนแบบอิเล็กทรอนิกส์ที่ใช้การออกแบบอาร์เรย์เชิงเส้นพร้อม แแถบไฟ LED 100W สิบแถบและไดรเวอร์อัจฉริยะที่ทำให้อุปกรณ์ควบคุมสามารถควบคุมและหรี่แสงได้จากภายนอก ที่ โคมไฟ LUMATEK ZEUS 1000W PRO EVO 3.1 เป็นโซลูชันระบบไฟส่องสว่างดานบนแบบเต็มวงจรมีประสิทธิภาพสูงพิเศษเพื่อการพาณิชย์ การเพาะปลูกพืชสวนด้วยพลังและความยืดหยุ่นในการขยายขนาดตั้งแต่การขยายพันธุ์และการโคลนนิ่ง การเจริญเติบโตของพืชจนมีความเข้มของแสงสูงขึ้นในช่วงบาน ในคู่มือนี้ LUMATEK 1000W PRO EVO 3.1 จะเป็น เรียกว่า: "อุปกรณ์ติดตั้ง LED"

3. ข้อมูลและข้อมูลจำเพาะผลิตภัณฑ์

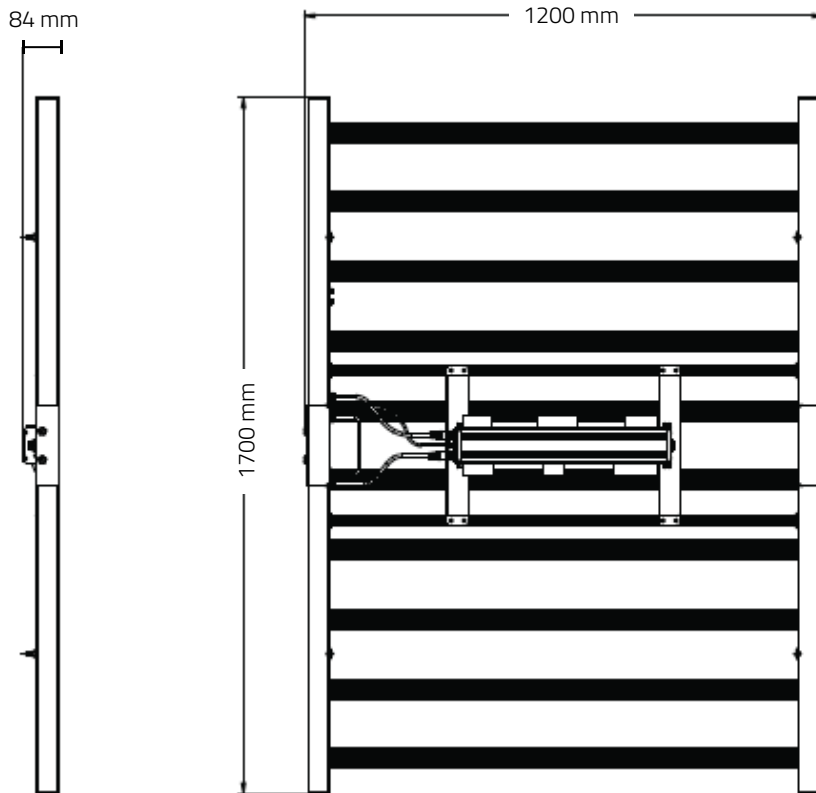
3.1 ข้อมูลทั่วไปของผลิตภัณฑ์

ชื่อสินค้า	ZEUS 1000W PRO EVO 3.1
รหัสสินค้า	LUMATEK EU
ผู้ผลิต	LUMLED027
EAN	5060560032212

3.2 ข้อมูลจำเพาะทางเทคนิค

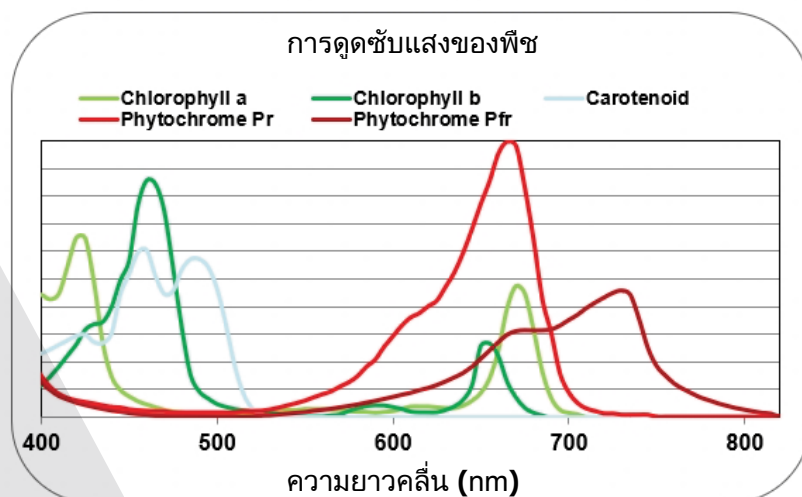
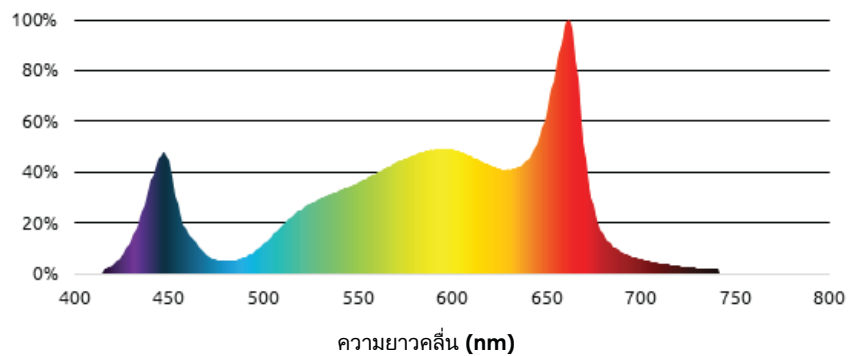
PPF	3125 $\mu\text{mol/s}$
ประสิทธิภาพโคมไฟ	3.1 $\mu\text{mol/J}$
กำลังไฟเข้า ที่ 230V AC 100% o/p	1025W ($\pm 5\%$) @ 230 V AC
แรงดันไฟฟ้าขาเข้า	220-240 V AC 50/60 Hz
กระแสไฟเข้า ที่ 230V AC 100% o/p	4.9 A
อุณหภูมิในการทำงาน	-10 °C – +40 °C
ความชื้นในการทำงาน	20% - 30%
ค่าพาวเวอร์แฟคเตอร์	> 0.95
อายุการใช้งาน	L90 > 60000 ชั่วโมง
สเปกตรัม	เต็มสเปกตรัม เอฟ
แหล่งกำเนิดแสง	SAMSUNG LM301H EVO OSRAM 4.24
ขนาด (ยาวxกว้างxสูง)	1700 x 1200 x 84 mm
น้ำหนัก	18 Kg
มุมกระจายแสงของหลอดไฟ	120°
ระบบหรี่ไฟแบบควบคุมเอง หรือระบบควบคุมแสงสว่างจากภายนอก	0 - 10 V analogový protokol
กันน้ำ	IP65

3.3 ขนาดการติดตั้ง

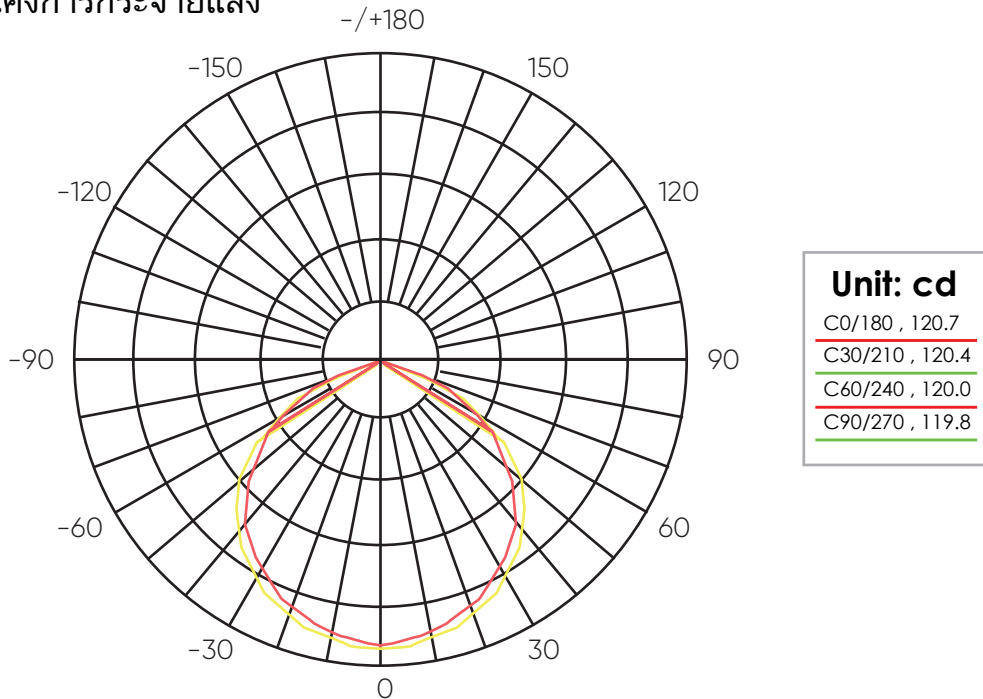


3.4 กราฟสเปกตรัม

โคมไฟชุด ZEUS pro ใช้ไฟ LED สีแดงและสีขาวประสิทธิภาพสูงสำหรับการปลูกพืชในร่มเพื่อสร้างแสงเต็มสเปกตรัมที่สมดุล เหมาะสำหรับการสังเคราะห์แสงอย่างมีคุณภาพของพืช



3.5 เส้นโค้งการกระจายแสง



3.6 สภาพแวดล้อม

โคมไฟ LED มีวัตถุประสงค์การใช้งานในห้องเพดานที่ควบคุมสภาพอากาศ และการเกษตรแบบในร่ม สามารถใช้ผลิตภัณฑ์ในสภาพแวดล้อมที่มีความชื้นได้ แต่ห้ามใช้ในสภาพแวดล้อมที่เปียก หรือภายนอกอาคาร ผลิตภัณฑ์ทำงานในอุณหภูมิโดยรอบระหว่าง -20 °C ถึง +40 °C แต่จะทำงานได้ดีที่สุดที่อุณหภูมิระหว่าง 20 °C ถึง 30 °C นอกจากนี้ผลิตภัณฑ์ทำงานได้ในสภาพความชื้น 20% - 90% แบบไม่ควบแน่น

3.7 กฎหมาย

ผลิตภัณฑ์นี้ได้รับการออกแบบโดยคำนึงถึงความแม่นยำและคุณภาพ ผลิตภัณฑ์ของเราจึงสอดคล้องกันอย่างลงตัวมาตรฐานอุตสาหกรรมรับประกันประสิทธิภาพผู้ใช้ที่ตรงและเกินบรรทัดฐานที่คาดหวัง

4. คำแนะนำและคำเตือนด้านความปลอดภัย

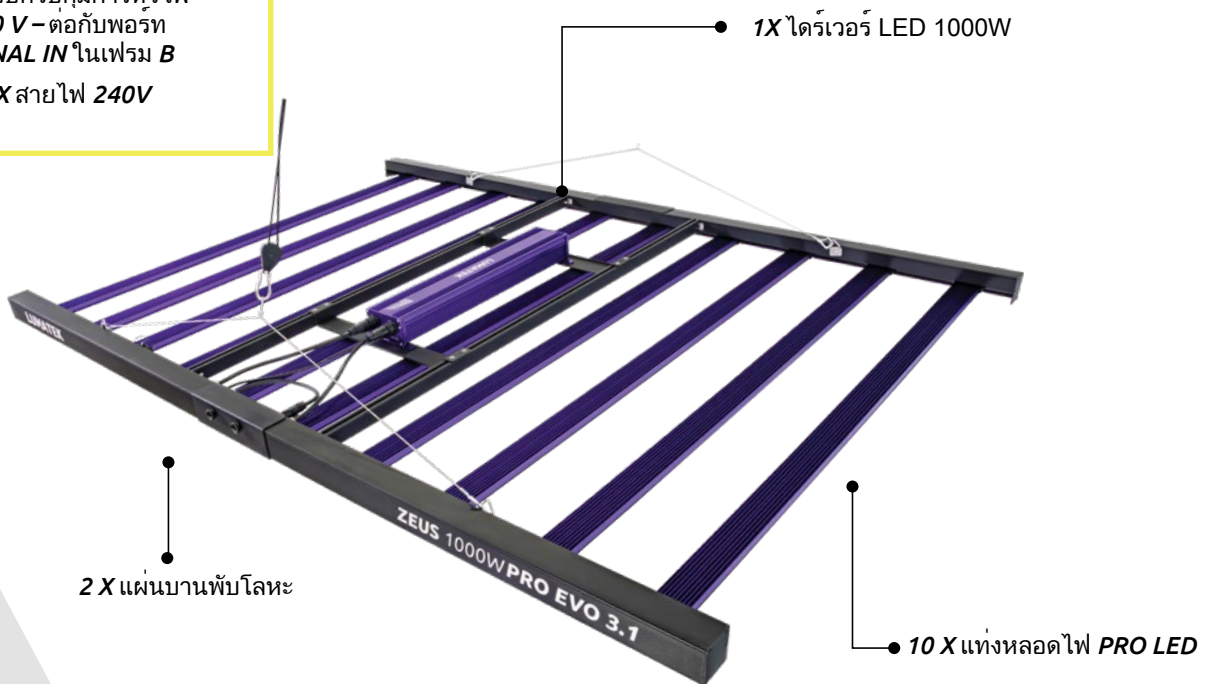
คำเตือน! อ่านคำเตือนด้านล่างโดยละเอียดก่อนใช้งานผลิตภัณฑ์

- ปฏิบัติตามกฎและข้อบังคับท้องถิ่นเสมอเมื่อทำการติดตั้งหรือใช้โคมไฟ LED
- อย่าเปิดหรือถอดชิ้นส่วนโคมไฟ LED เนื่องจากมีชิ้นส่วนที่ใช้งานไม่ได้ภายใน การเปิดโคมไฟ LED อาจเป็นอันตราย และการรับประกันจะเป็นโมฆะ
- อย่าใช้โคมไฟ LED หากโคมไฟ LED หรือสายไฟเสียหาย เปลี่ยนสายไฟเก่าด้วยสายไฟใหม่ที่เหมาะสม
- การดัดแปลงสายไฟอาจก่อให้เกิดผลกระทบต่อสนามแม่เหล็กอันไม่พึงประสงค์ ส่งผลให้ผลิตภัณฑ์ไม่เป็นไปตามข้อกำหนดตามกฎหมาย
- อย่าให้โคมไฟสัมผัสกับความชื้นควบแน่น ละอองจำนวนมาก หรือสเปรย์โดยตรง อุณหภูมิโดยรอบที่เกิดระดับที่กำหนดเฉพาะ ฝุ่นและการปนเปื้อน แสงอาทิตย์โดยตรงขณะใช้งาน หรือไฟ HID เพราะอาจทำให้ไดรเวอร์เกิดความร้อน

- ถอดวงจรโคมไฟ LED จากไฟหลักก่อนบำรุงรักษา
- รอเป็นเวลา 20 – 30 นาทีทุกครั้งเพื่อให้แก๊สหลอดไฟ LED เย็นลงก่อนสัมผัสด้วยมือ การสัมผัสแก๊สหลอดไฟ LED ขณะที่ยังไม่ปิดไฟ หรือทันทีที่เปิด อาจก่อให้เกิดอาการผิวหนังไหม้ได้
- การถ่ายเทความร้อนธรรมชาตินำความร้อนออกจากแผงระบายความร้อน เพื่อให้ระบบเย็นตัวลงได้เองอย่างเหมาะสม ควรวางโคมไฟให้ห่างจากเรือนยอดเพาะปลูกของคุณอย่างน้อย 5 ซม.
- อย่าใช้วัสดุขีดสั หรือสารทำความสะอาดที่มีฤทธิ์รุนแรงทำความสะอาดโคมไฟ LED เพราะอาจทำให้เลนส์สารองเสียหาย และนำไปให้ใช้ผาแห้งทำความสะอาดแทน
- อย่าใช้งานโคมไฟ LED ใกล้กับสารไวไฟ วัตถุระเบิด และสารที่ไวต่อปฏิกิริยา โคมไฟ LED มีอุณหภูมิสูงถึง 40 องศาเซลเซียส
- อย่าใช้เครื่องพ่นสารระเหยซัลเฟอร์ หรือละอองน้ำ
- การติดตั้งและใช้งานโคมไฟ LED เป็นหน้าที่รับผิดชอบของผู้ใช้ การใช้งานหรือการติดตั้งที่ไม่ถูกต้องอาจส่งผลให้โคมไฟ LED ทำงานล้มเหลว หรือเกิดความเสียหาย ซึ่งความเสียหายของโคมไฟ LED และวงจรไฟฟ้าที่เกิดจากการติดตั้งและใช้งาน ไม่ถูกต้องจะยกเว้นการรับประกัน

5. สิ่งที่มาพร้อมสินค้า

1 X คู่มือ
 2 X สายแขวนโลหะ
 1X ระบบควบคุมการหรี่ไฟ
 0-10 V – ต่อกับพอร์ต
 SIGNAL IN ในเฟรม B
 1 X สายไฟ 240V



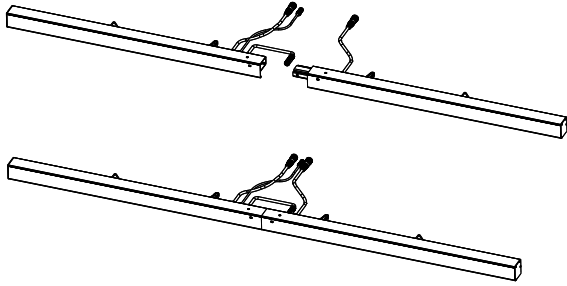
6. การติดตั้ง

- คำเตือน!** การติดตั้งโคมไฟ LED ต้องเป็นไปตามกฎหมายและข้อบังคับท้องถิ่นที่บังคับใช้
- คำเตือน!** ผู้ติดตั้งมีหน้าที่ทำการติดตั้งอย่างถูกต้องและปลอดภัย
- คำเตือน!** ตรวจสอบให้แน่ใจว่าสายที่มีรองรับกำลังและกระแสไฟตามข้อกำหนดมาตรฐานของโคมไฟ LED
- คำเตือน!** หลีกเลี่ยงการใช้สายไฟที่ขดม้วน และแยกสายไฟหลักเพื่อป้องกันการรบกวนคลื่นแม่เหล็กไฟฟ้า
- คำเตือน!** อย่าต่อหรือถอดโคมไฟ LED ขณะที่ยังต่อวงจรไฟฟ้า

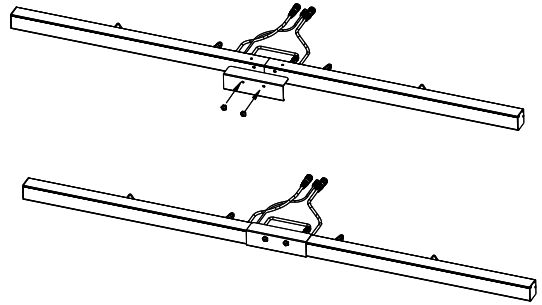
6.1 การประกอบโคมไฟ

โครงยึดประกอบด้วยชิ้นส่วนต่างๆ ที่รวมอยู่ในบรรจุภัณฑ์ เริ่มต้นด้วยการประกอบชิ้นส่วนเฟรมหลังจากนำออกจากบรรจุภัณฑ์ มีแผ่นล็อกโลหะสองแผ่นไว้เพื่อยึดขอตอबार

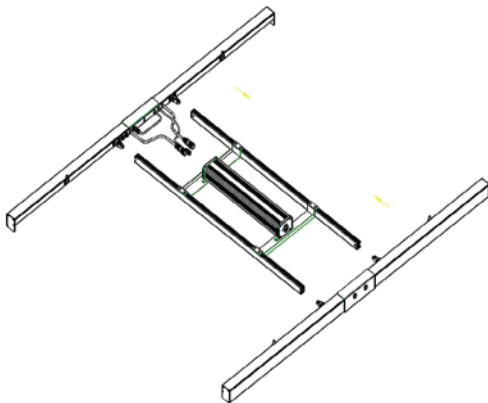
ขั้นตอนที่ 1: จัดตำแหน่งและเข้ารวมแถบที่มีสายเคเบิล ทำซ้ำขั้นตอนนี้กับแถบอื่นๆ



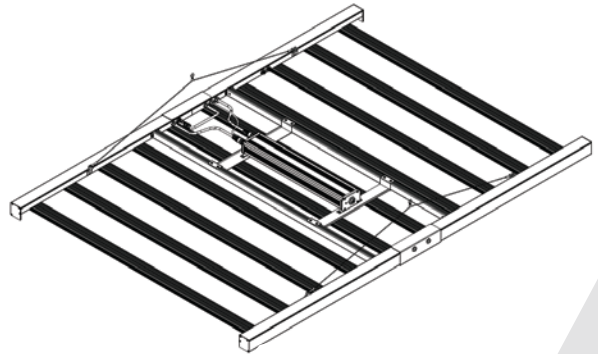
ขั้นตอนที่ 2: ไขแผ่นล็อกโลหะทั้งสองแผ่นเพื่อให้แน่ใจว่าแท่งเชื่อมต่อกัน



ขั้นตอนที่ 3: เชื่อมต่อแท่งที่ประกอบเข้ากับเฟรม

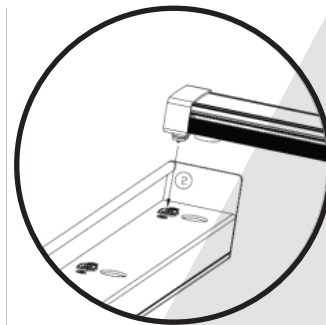
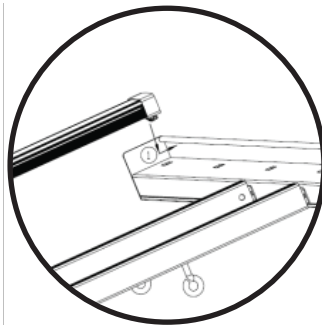


ขั้นตอนที่ 4: เชื่อมต่อสายเคเบิลและติดตั้งไม้แขวนหลอดไฟโลหะเข้ากับฟิซเจอร์ เชื่อมต่อแถบ LED



6.2 การต่อแท่งหลอดไฟ LED

คำเตือน! แท่งหลอดไฟ LED จัดส่งมาพร้อมกับไดโอดปิดพลาสติกป้องกัน ตรวจสอบให้แน่ใจว่าได้นำพลาสติกออกก่อนใช้งาน!



ติดตั้งปลายตะขอก่อน สอดตะขอในช่องสี่เหลี่ยม

จากนั้นสอดปลายอีกด้าน จัดตำแหน่งสายพ่วงแม่เหล็กของแท่งหลอดไฟกับช่องกลมบนโครงโคมไฟ และใส่หมุดตัวผู้เข้ากับเบ้าปลั๊กตัวเมีย ตรวจสอบให้แน่ใจว่าการต่อแม่เหล็กเสถียร ประกอบแท่งหลอดไฟที่เหลือกับโครงโคมไฟ ประกอบที่แขวนสายโลหะกับตะขอยึดในโครง

6.3 การเปลี่ยนและใส่แทงหลอดไฟใหม่ และการใช้โมดูลแปลงไฟ

การออกแบบโมดูลแปลงไฟของโคมไฟ LED ใช้ไดรเวอร์ LED อัจฉริยะที่สามารถลดหรือเพิ่มกำลังไฟอัตโนมัติตามจำนวนแทงหลอดไฟ 100w ที่ติดตั้งบนโคมไฟ หากไม่ต้องใช้แทงหลอดไฟทั้งหมด ไดรเวอร์จะดึงกำลังไฟตามที่ต้องใช้จริง อาทิเช่น หากติดตั้งหลอดไฟหกแทง ไดรเวอร์จะดึงกำลังไฟเพียง 600W

คำเตือน! มีอย่างน้อยหนึ่งแทงหลอดไฟ LED ที่ต่อเข้ากับโคมไฟก่อนเปิดสวิตช์

6.4 การติดตั้งโคมไฟ

คำเตือน! ติดตั้งระบบเข้ากับสิ่งที่สามารถรองรับน้ำหนักโคมไฟ LED ได้

ตรวจสอบให้แน่ใจว่าแทงหลอดไฟทั้งหมดถูกติดตั้งอย่างถูกต้องและมั่นคง แขนงโคมไฟขึ้นด้วยความระมัดระวัง และติดสายแขวนโลหะเข้ากับตะขอติดตั้ง แขนงโคมไฟในตำแหน่งและความสูงที่ต้องการ สำหรับสมรรถนะสูงสุด ตำแหน่งของโคมไฟควรอยู่เหนือเรือยนต์พีช 50 - 100 cm. สำหรับ พื้นที่กระจายแสง 1.5 x 2 m ตรวจสอบให้แน่ใจว่าแขนงโคมไฟในแนวนอน

ติดสายแขวนโลหะเข้ากับตัวยึด



6.5 การต่อสวิตช์หรือไฟแบบควบคุมเอง หรือระบบควบคุมแสงสว่างจากภายนอก

ระบบควบคุมการหรี่ไฟ หรือแสงสว่างเชื่อมต่อกับสายพ่วง "SIG IN" บนโคมไฟ ทำให้สามารถปรับความเข้มข้นของแสง (ค่า PPF ภายนอก) ได้ตามที่ต้องการ ปรับความเข้มข้นไฟของโคม LED ได้โดยไม่ต้องเปลี่ยนการกระจายกำลังไฟ หรือเสียประสิทธิภาพ

ถอดจุกปิดกันฝุ่นออก ตรวจสอบให้แน่ใจว่าสายพ่วงตัวผู้และตัวเมียอยู่ในตำแหน่งที่ถูกต้อง จากนั้นกดจุกล็อก การถอดสาย: หมุนทวนเข็มนาฬิกาและดึงออก



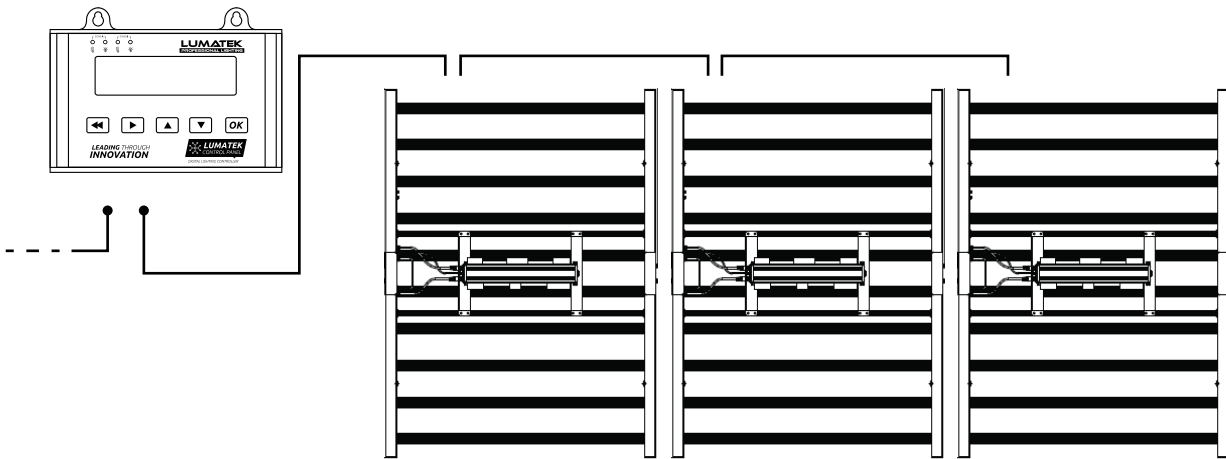
ต่อสายสวิตช์หรือไฟแบบควบคุมเอง หรือสายควบคุมแสงสว่างกับพอร์ท SIGNAL IN (ตัวรับชาย)

6.6 ต่อโคมชุดโคมไฟสำหรับการควบคุมภายนอก

สำหรับวิธีการใช้โดยละเอียด โปรดศึกษาจากคู่มือแผงควบคุม Lumatek

วางตำแหน่งและแฉวนโคมไฟแต่ละอันอย่างเหมาะสม โคมไฟ ZEUS ใช้การควบคุมด้วยโปรโตคอลสัญญาณ 0-10 V

ต่อสายสัญญาณกำลังไฟจากระบบควบคุมเข้ากับสายพ่วงต่อ 1 SIG IN
ต่อสายสัญญาณจากสายพ่วง 1 SIG OUT ของโคมไฟกับสายพ่วง 2 SIG IN ของโคมไฟ
ต่อเข้ากับโคมไฟแบบเดียวกันจนครบ 100 ดวงต่อระบบควบคุม โปรดดูรูปภาพประกอบ



6.7 การต่อโคมไฟ LED เข้ากับไฟหลัก

คำเตือน! ตรวจสอบให้แน่ใจว่าไฟเมนเปิดอยู่

คำเตือน! ตรวจสอบให้แน่ใจว่าสายไฟไม่ม้วนขด และไม่ได้สัมผัสพื้นผิวร้อน

คำเตือน! ต่อสายไฟต่างตามกฎหมาย ข้อบังคับด้านความปลอดภัย และมาตรฐานไฟฟ้าท้องถิ่น

คำเตือน! หากไม่มีการใช้ระบบควบคุมแสงสว่างจากภายนอก ตรวจสอบให้แน่ใจว่าอุปกรณ์สวิตช์ภายนอกสามารถจัดการกระแสไฟพุ่งเข้าของโคมไฟ LED ได้ ใช้เครื่องจับเวลาดิจิทัลที่เหมาะสมทุกครั้งในการเปลี่ยนโหลดตัวเก็บประจุ อย่าต่อหรือถอดโคมไฟ LED ขณะที่ยังต้องวงจรไฟฟ้า

ตรวจสอบให้แน่ใจว่าสายไฟพ่วงโคม LED อยู่ในตำแหน่งที่ถูกต้องกับสายพ่วง **AC INPUT** บนโคมไฟ และล็อกประกบกันจนเปิดสนิท ต่อปลั๊กไฟหลักกับสวิตช์ชิงพาวเวอร์ซัพพลาย และเปิดกระแสไฟหลัก



- การถอด: หมุนสายไฟพ่วงเข็มนาฬิกาเพื่อปลดล็อก และดึงออกจากโคมไฟ

7. ขอพึงระวังเมื่อใช้โคมไฟ LED

คำเตือน! ตรวจสอบให้แน่ใจเสมอว่ามีแถบไฟเชื่อมต่อกับอุปกรณ์ติดตั้งอย่างน้อยหนึ่งแถบก่อนที่จะเปิดเครื่อง ที่ Zeus PRO มีไดรเวอร์ LED อัจฉริยะซึ่งจะเพิ่มหรือลดพลังงานให้ตรงกับปริมาณ แถบไฟเชื่อมต่อกับระบบอัตโนมัติ

คำเตือน! รอเป็นเวลา 20 – 30 นาทีทุกครั้งเพื่อให้แท่งหลอดไฟ LED เย็นลงก่อนสัมผัสด้วยมือ

8. การตรวจสอบ การบำรุงรักษา และการซ่อมแซม

Warning! ถอดวงจรโคมไฟ LED จากไฟหลักก่อนบำรุงรักษาและซ่อมแซม

Warning! อย่าต่อหรือถอดโคมไฟ LED ขณะที่ยังต่อวงจรไฟฟ้า

Warning! อย่าเปิดหรือถอดชิ้นส่วนโคมไฟ LED เนื่องจากมีชิ้นส่วนที่ใช้งานไม่ได้ภายใน การเปิดโคมไฟ LED อาจเป็นอันตราย และการ รับประทานจะเป็นโทษ

Warning! อย่าทำความสะอาดโคมไฟ LED ด้วยสารซักฟอก สารขัดสี หรือสารที่มีฤทธิ์รุนแรงอื่นๆ

ตรวจสอบโคมไฟ LED อย่างสม่ำเสมอว่ามีฝุ่นหรือสิ่งสกปรกเกาะหรือไม่ ทำความสะอาดหากจำเป็น การปนเปื้อนอาจเป็นสาเหตุให้เกิด ความร้อนจัด หรือสมรรถนะลดลง ทำความสะอาดภายนอกโคมไฟ LED ด้วยผ้าแห้งหรือเปียกหมาดๆ ตรวจสอบสายโคมไฟ LED เป็น ประจำเพื่อมั่นใจว่าไม่มีความเสียหายเกิดขึ้น

ไดรเวอร์ LED มีระบบกันไฟกระชากเพื่อการใช้งานที่ปลอดภัย และป้องกันอุปกรณ์ ในกรณีที่เกิดเหตุการณ์แรงดันไฟหลักกระเพื่อม ไฟฟ้าวงจรเปิดหรือลัดวงจร และ/หรืออุณหภูมิไดรเวอร์อยู่ในระดับที่ไม่ปลอดภัย ไดรเวอร์จะปิดการทำงานอัตโนมัติ และจะทำงานอีกครั้ง เมื่อพารามิเตอร์ระบบกันไฟกระชากอยู่ในระดับที่ปลอดภัย

/ การตั้งค่าไดรเวอร์ LED ใหม่; ปิดกำลังไฟหลัก และเปิดกำลังไฟหลักอีกครั้ง

9. การจัดเก็บและการกำจัด

จัดเก็บโคมไฟ LED ในที่แห้งและสะอาด โดยมีอุณหภูมิแวดล้อมอยู่ที่ -25 °C ถึง 55 °C ต้องไม่ทิ้งผลิตภัณฑ์เป็นขยะแบบไม่จำแนก ประเภท แต่กำจัดแยกกันอย่างเหมาะสม สำหรับวัตถุประสงค์ในการนำไปบำบัด พื้นฟูสภาพ และเป็นมิตรกับสิ่งแวดล้อม

10. การรับประกัน

บริษัท Lumatek จำกัด รับประกันชิ้นส่วนเครื่องกลและไฟฟ้าสำหรับผลิตภัณฑ์ว่าวัสดุและคุณภาพผลงานปราศจากข้อชำรุดบกพร่องหาก ใช้งานในสภาพปกติเป็นระยะเวลาห้า (5) ปี นับจากวันที่ซื้อสินค้า หากผลิตภัณฑ์แสดงข้อชำรุดบกพร่องภายในระยะเวลาดังกล่าว และ ไม่ได้เกิดจากความผิดพลาดในการใช้งาน หรือการใช้งานไม่เหมาะสม บริษัท Lumatek จำกัด จะทำการเปลี่ยน หรือซ่อมแซม ผลิตภัณฑ์โดยใช้ผลิตภัณฑ์หรือชิ้นส่วนตัวใหม่หรือปรับปรุงอย่างเหมาะสม โดยใช้ดุลยพินิจของบริษัท ในกรณีที่ บริษัท Lumatek จำกัด พิจารณาเปลี่ยนผลิตภัณฑ์ทั้งชิ้น การรับประกันอย่างจำกัดนี้จะใช้กับผลิตภัณฑ์ที่เปลี่ยนใหม่โดยมีระยะเวลาประกันตามเวลาที่ เหลือ ยกตัวอย่างเช่น ห้า (5) ปี นับจากวันที่ซื้อสินค้า สำหรับการบริการ ส่งคืนผลิตภัณฑ์ไปยังร้านค้าที่ท่านซื้อ พร้อมใบเสร็จซื้อสินค้าตัวจริง

การรับประกัน: ผลิตภัณฑ์ของ Lumatek ที่จำหน่ายในอาณาเขตของสมาพันธ์รัฐสวิสนั้นผลิตขึ้นโดยมีหมายเลขประจำเครื่องแยกจากกัน และติดฉลากว่าจำหน่ายเฉพาะในตลาดสมาพันธ์รัฐสวิสเท่านั้น และจำหน่ายเฉพาะสำหรับผู้จัดจำหน่ายสวิสที่ได้รับใบอนุญาตเท่านั้น หาก คุณเป็นผู้พำนักอาศัยของลูกค้าปลายทาง หรือมีภูมิลำเนาอยู่ในสมาพันธ์รัฐสวิส การรับประกันของ Lumatek ใช้ได้เฉพาะกับผลิตภัณฑ์ ที่มีหมายเลขซีเรียลสวิสที่ใช้เฉพาะในตลาดนี้เท่านั้น



STAY UP TO DATE WITH OUR
SOCIAL MEDIA CHANNELS



GENERAL: info@lumatek-lighting.com

SALES SUPPORT: orders@lumatek-lighting.com

TECHNICAL SUPPORT: techsupport@lumatek-lighting.com

VISIT US AT **WWW.LUMATEK-LIGHTING.COM**