

Spider  Farmer

USER MANUAL

INDOOR GROW TENT

Helping provide the perfect growing environment



SF-Tent-02

WHY CHOOSE SPIDER FARMER?



Well-established business:

We are partners with Samsung



Shipping ability:

A. Global delivery supported

B. We have warehouses in The USA, CA, AU, UK, EU, RU, TH
(We offer delivery within 24 hours)



Customer Service :

A. Local repair centers in The USA, CA, AU, UK, EU, RU

B. 5 Year warranty

C. Considerate customer service department



Professional tech support is available, including:

PPFD test data, hanging height recommendations etc



Bulk price discounts:

The larger the order the cheaper the price



MANUAL INDEX

Key Features	01
Product Contents	02
Installation	06
Complete Your Setup	12
Other Categories	13
Using Tips	14
Warranty & Caution	14

KEY FEATURES



Heavy Duty SBS Zipper

That perfectly covers the zipper chain and prevents light leaks



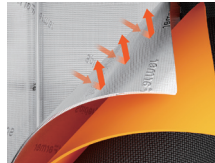
Viewing Window

You can check your plants effortlessly at any time through the viewing window



Tool Pouch

Located on the side of the tent for easy storage of various planting accessories



1680D Oxford

Along with diamond reflective Mylar, Spider Farmer tents effectively maximize light reflectivity and prevent light leaks



Ductwork Access

Ventilation holes for easy fixing of ducting



Floor Tray

Reflective waterproof lining that catches water, soil, and other debris to prevent leakage in the grow tent



Stronger, Denser & Thicker

The metal frame is made from hardened steel. Stable metal angle adapter, a load capacity of up to 140 lbs.



Controller Lanyard

Designed to place the fan controller to make it easier to control the ventilation system

PRODUCT CONTENTS

Size (1'=12", 1'= 30.48CM)	Weight (KG)	Tent Cloth	Viewing Window	Tent Door	Controller Lanyard	Tool Pouch
2'x2'x4' (24"x24"x48")	5.2	1	0	1	0	0
2'x2'x6' (24"x24"x72")	5.8	1	0	1	0	0
2.3'x2.3'x5.2' (28"x28"x63")	6.8	1	1	1	0	0
3'x1.6'x5.2' (36"x20"x63")	6.7	1	1	1	0	0
3'x3'x6' (36"x36"x70")	9	1	1	1	1	1
4'x2'x5' (48"x24"x60")	8.3	1	1	1	1	1
4'x2'x6' (48"x24"x72")	9	1	1	1	1	1
4.6'x2.3'x6.5' (55"x28"x80")	10.5	1	1	1	1	1
4'x4'x6.5 (48"x48"x80")	12.5	1	1	1	1	1
5'x5'x6.5' (60"x60"x80")	14.2	1	1	1	1	1
8'x4'x6.5' (96"x48"x80")	20	1	2	2	1	1
8'x8'x6.5' (96"x96"x80")	31	1	2	2	1	1
10'x5'x6.5 (120"x60"x80")	25	1	2	2	1	1
2in-4'x3'x6' (48"x36"x72")	15	1	2	2	0	0

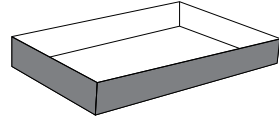
PARTS

Parts	Tent Cloth	Floor Tray	Corner Adapter	Framework Support						5-Way Steel Fitting	3-Way Steel Fitting	Middle Adapter 6
Size	A	B	D	E	F	G	H	J	K	M	T	E
2'x2'x4' (24"x24"x48")	1	1	8	8	4	4	1	1	0			
2'x2'x6' (24"x24"x72")	1	1	8	8	4	4	1	1	0			
2.3'x2.3'x5.2' (28"x28"x63")	1	1	8	8	4	4	1	1	0			
3'x1.6'x5.2' (36"x20"x63")	1	1	8	4	4	4	4	1	1			
3'x3'x6' (36"x36"x70")	1	1	8	8	4	4	1	1	0			
4'x2'x5' (48"x24"x60")	1	1	8	4	4	4	4	2	1			
4'x2'x6' (48"x24"x72")	1	1	8	4	4	4	4	2	1			
4.6'x2.3'x6.5' (55"x28"x80")	1	1	8	4	4	4	4	2	1			
4'x4'x6.5' (48"x48"x80")	1	1	8	8	4	4	2	1	0			
5'x5'x6.5' (60"x60"x80")	1	1	8	8	4	4	2	1	0			
8'x4'x6.5' (96"x48"x80")	1	1	8	0	14	6	6	4	2	0	0	4
10'x5'x6.5' (120"x60"x80")	1	1	8	0	14	6	6	4	2	0	0	4
8'x8'x6.5' (96"x96"x80")	Page 5											
2in-4'x3'x6' (48"x36"x72")	Page 5											

A
Tent Cloth



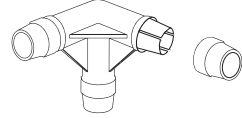
B
Floor Tray



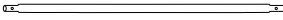
E
Middle Adapter



D
Corner Adapter



E
Framework Support



F
Framework Support



G
Framework Support



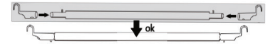
H
Framework Support



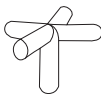
J
Framework Support



K
Framework Support
(48"x24"x72" & 48"x24"x60")



M
5-Way Steel Fitting



T
3-Way Steel Fitting



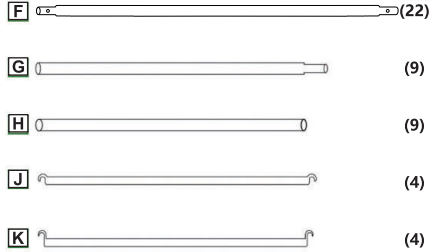
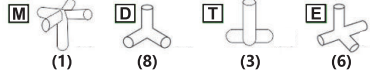
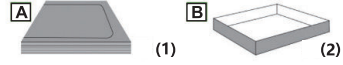
SPECIAL SIZES



SIZE: 8' x 8' x 6.5' (96" x 96" x 80")

COMPONENTS

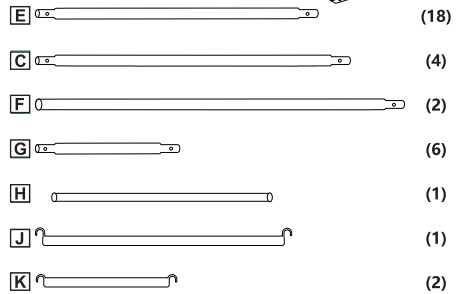
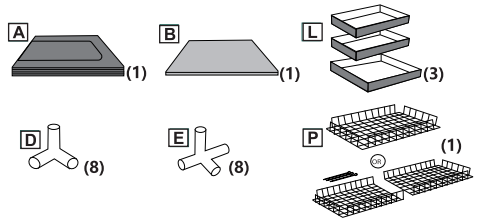
(A) Tent Cloth, (B) Floor Tray,
 (D) Corner Adapter, (E) Middle Adaptor,
 (M) 5-Way Steel Fitting, (T) 3-Way Steel Fitting,
 (F-K) Framework Support.



SIZE: 2in-4' x 3'x6'(2in-48" x 36" x 72")

COMPONENTS

(A) Tent Cloth, (B) Floor Tray,
 (D) Corner Adapter, (E) Middle Adaptor,
 (M) 5-Way Steel Fitting, (T) 3-Way Steel Fitting,
 (F-K) Framework Support.



INSTALLATION

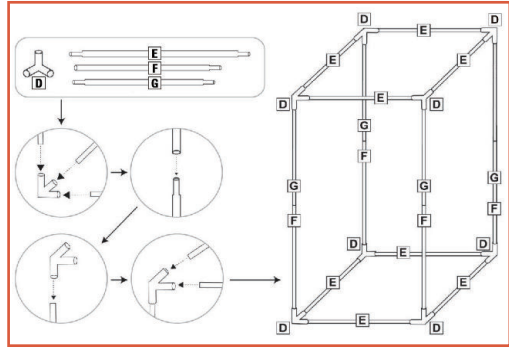
1-Pole

SIZE:

- 2'x2'x4' (24"x24"x48")
- 2'x2'x4.6'(24"x24"x55")
- 2'x2'x6' (24"x24"x72")
- 2.3'x2.3'x5.2' (28"x28"x63")
- 3'x3'x6' (36"x36"x70")
- 4'x4'x6.5' (48"x48"x80")
- 5' x5'x6.5' (60"x60"x80")

STEP 1:

Set up the tent frame following the letters in the diagram

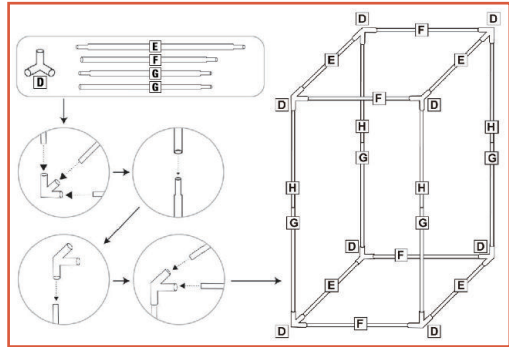


SIZE:

- 3'x1.6'x5.2' (36"x20"x63")
- 4'x2'x5' (48"x24"x60")
- 4'x2'x6' (48"x24"x72")
- 4.6'x2.3'x6.5' (55"x28"x80")

STEP 1:

Set up the tent frame following the letters in the diagram

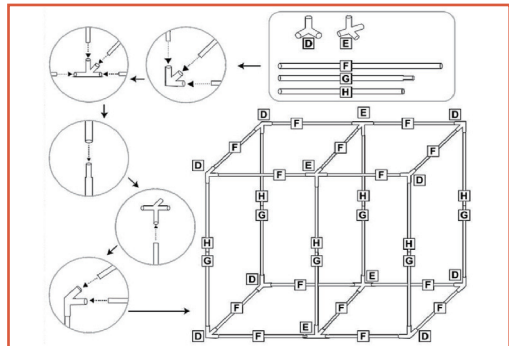


SIZE:

- 8'x4'x6.5' (96"x48"x80")
- 10'x5'x6.5' (120"x60"x80")

STEP 1:

Set up the tent frame following the letters in the diagram

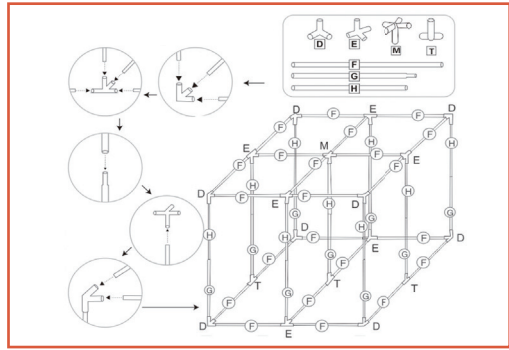


SIZE:

8'x8'x6.5' (96"x96"x80")

STEP 1:

Set up the tent frame following the letters in the diagram

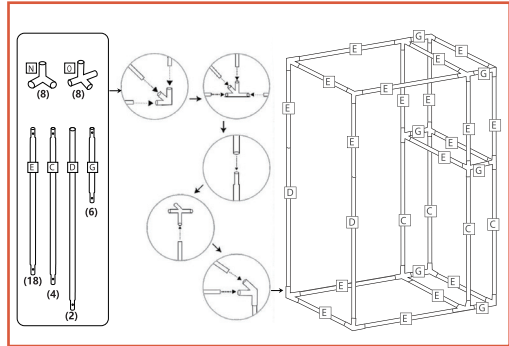


SIZE:

2in-4'x3'x6' (2in-48"x36"x72")

STEP 1:

Set up the tent frame following the letters in the diagram



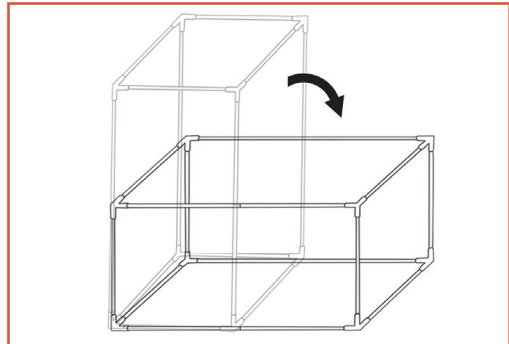
1-Pole

SIZE:

- 2'x2'x4' (24"x24"x48")
- 2'x2'x6' (24"x24"x72")
- 2.3'x2.3'x5.3' (28"x28"x63")
- 3'x3'x6' (36"x36"x70")
- 4'x4'x6.5' (48"x48"x80")
- 5'x5'x6.5' (60"x60"x80")
- 3'x1.6'x5.2' (36"x20"x68")
- 4'x2'x5' (48"x24"x60")
- 4'x2'x6' (48"x24"x72")
- 4.6'x2.3'x6.5' (55"x28"x80")

STEP 2:

Place the tent frame horizontally

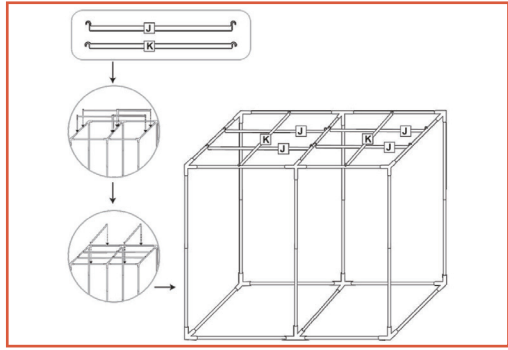


SIZE:

8'x4'x6.5' (96"x48"x80")
10'x5'x6.5' (120"x60"x80")

STEP 2:

Place the 6 tent poles on the top of the frame (2"K", 4"J")

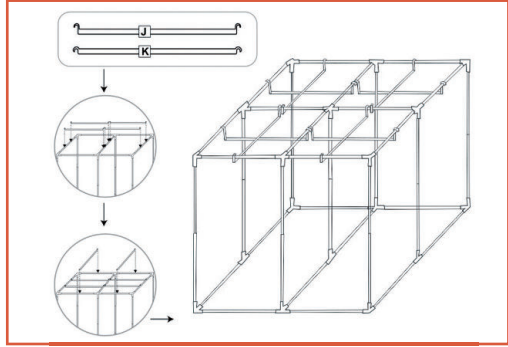


SIZE:

8'x8'x6.5' (96"x96"x80")

STEP 2:

Place the 6 tent poles on the top of the frame (2"K", 4"J")

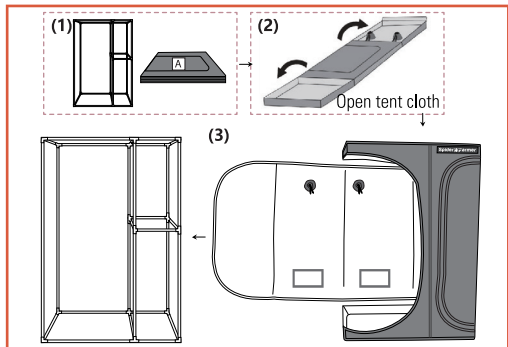


SIZE:

2in-4'x3'x6' (2in-48"x36"x72")

STEP 2:

Cover the frame with the cloth with the logo on the same side as the shelf



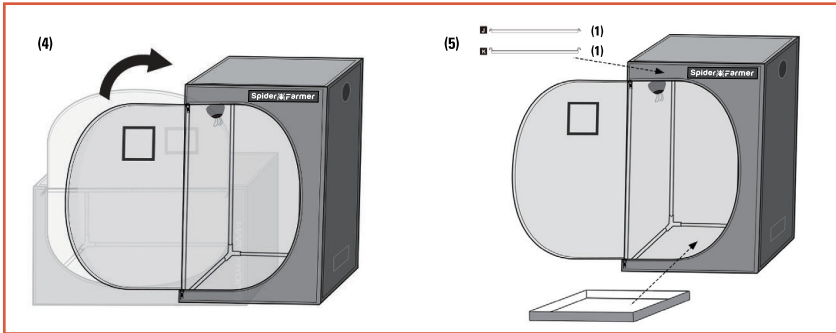
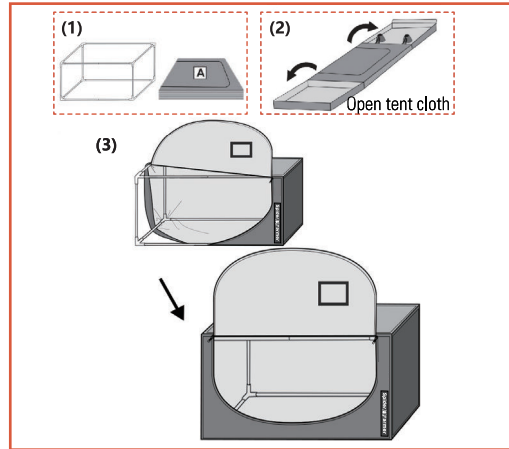
2-Tent Cloth

SIZE:

- 2'x2'x4' (24"x24"x48")
- 2'x2'x6' (24"x24"x72")
- 2.3'x2.3'x5.3' (28"x28"x63")
- 3'x3'x6' (36"x36"x70")
- 4'x4'x6.5' (48"x48"x80")
- 5'x5'x6.5' (60"x60"x80")
- 3'x1.6'x5.2' (36"x20"x63")
- 4'x2'x5'(48"x24"x60")
- 4'x2'x6'(48"x24"x72")
- 4.6'x2.3'x6.5' (55"x28"x80")

STEPS:

Cover the tent frame with the tent cloth
Stand the tent up vertically
Insert the remaining poles inside the tent
at the top and insert the flower tray in
the bottom

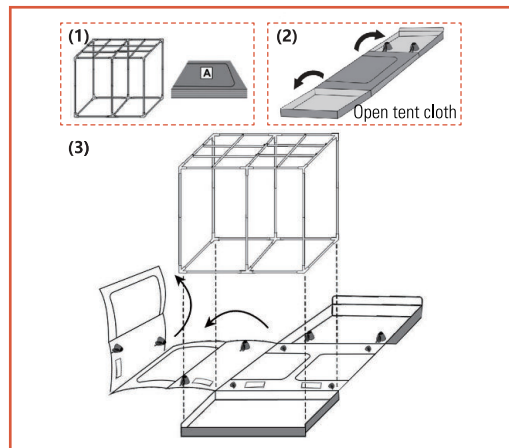


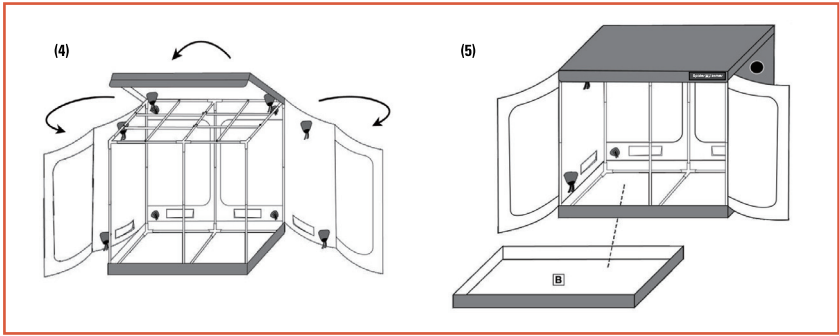
SIZE:

- 8'x4'x6.5' (96"x48"x80")
- 10'x5'x6.5' (120"x60"x80")

STEPS:

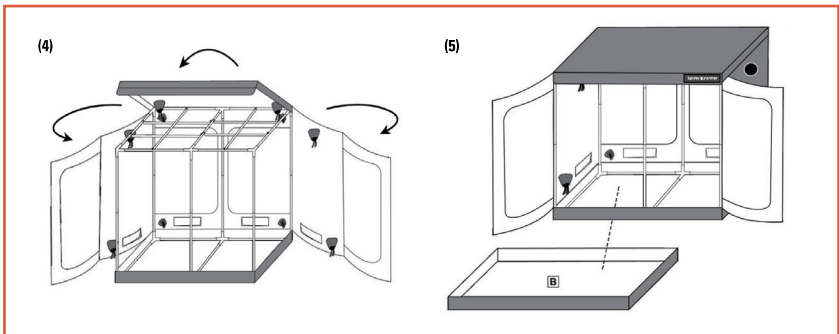
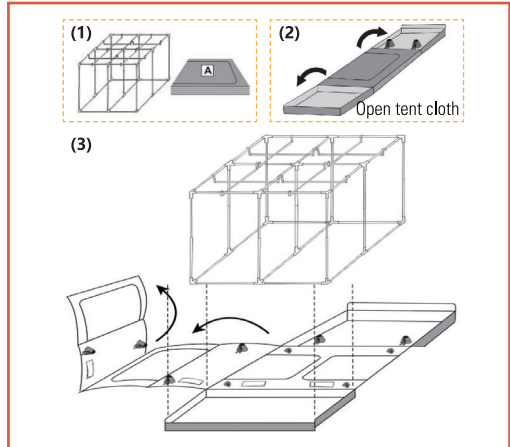
Open the tent cloth on the ground
place the frame on to the tent cloth
Cover the tent frame with the tent cloth
Put the floor tray into the tent





SIZE:
8'x8'x6.5' (96"x96"x80")

STEPS:
Cover the tent frame with the tent cloth
Stand the tent up vertically
Ensure the remaining poles are inside the tent and insert the floor tray into the bottom of the tent



SIZE:

2in-4'x3'x6' (2in-48"x36"x72")

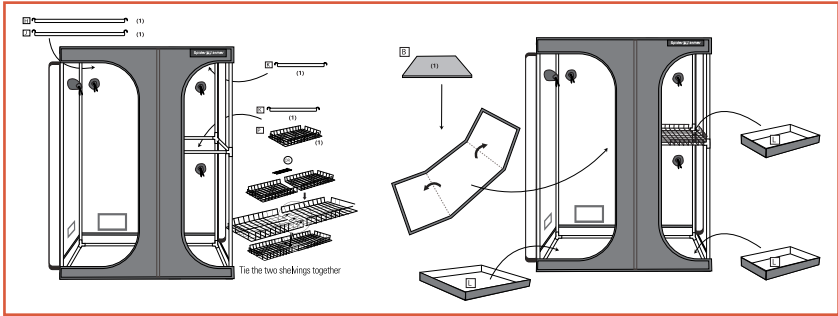
STEPS:

Place the hanging bars on top of the frame

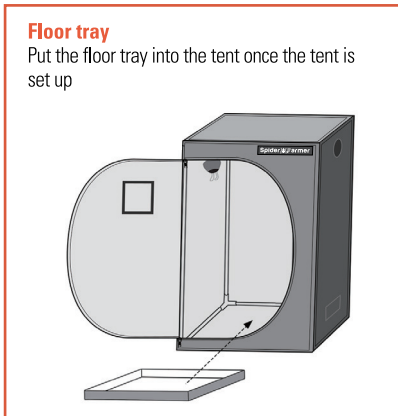
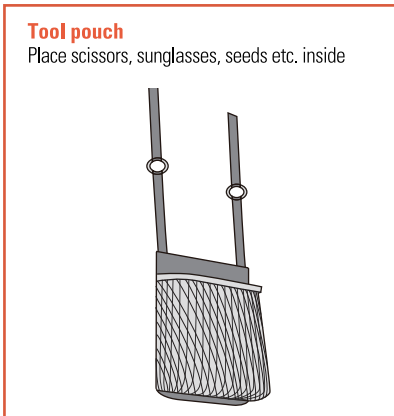
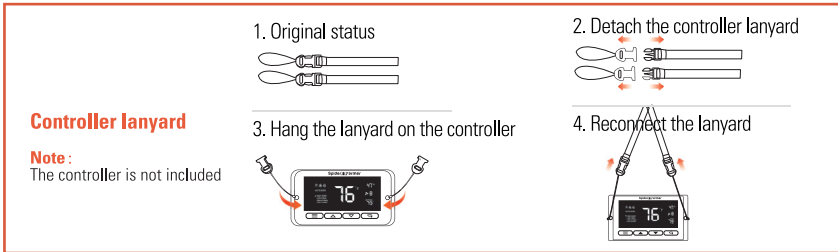
Place the shelving in the right propagation room

Set up the Mylar divider between the two planting rooms

Place the floor trays (3pcs) into the tent



3-Accessories



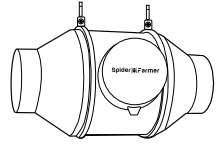
COMPLETE YOUR SETUP

Tent Size	Recommended Light	Recommended Inline Fan
2'x2'x4' (24"x24"x48")	SF1000/SF1000D	4 Inch
2'x2'x4.6' (24"x24"x55")	SF1000/SF1000D	4 Inch
2'x2'x6' (24"x24"x72")	SF1000/SF1000D	4 Inch
2.3'x2.3'x5.2' (28"x28"x63")	SF1000/SF1000D	4 Inch
3'x1.6'x5.2' (36"x20"x63")	SF1000/SF1000D	4 Inch
3'x3'x6' (36"x36"x70")	SE3000/G3000/SF2000pro	4 Inch
4'x2'x5' (48"x24"x60")	SF2000/2xSF1000	4 Inch
4'x2'x6' (48"x24"x72")	SF2000/2xSF1000	4 Inch
4.6'x2.3'x6.5' (55"x28"x80")	SF2000/2xSF1000	4 Inch
4'x4'x6.5' (48"x48"x80")	SF4000/2xSF2000/4xSF1000	6 Inch
5'x5'x6.5' (60"x60"x80")	SF7000/SE7000/G8600/ SE1000W/G1000W	6 Inch
8'x4'x6.5' (96"x48"x80")	2xSF4000/4xSF2000	6 Inch
8'x8'x6.5' (96"x96"x80")	4xSF4000	6 Inch
10'x5'x6.5' (120"x60"x80")	2x(SF7000/SE7000/G8600/ SE1000W/G1000W)	6 Inch
2in-4'x3'x6' (48"x36"x72")	SF2000/2xSF1000+SF300	4 Inch

OTHER CATEGORIES

Inline Fan

Utilizing a mixed flow design combined with an EC motor to ensure true energy efficiency with a very low noise level. Lightweight ABS blades reduce the airflow resistance and increase airflow by 40%. The smart controller has multiple modes for operation, 10 speeds, is easy to program and can control the humidity and temperature automatically.



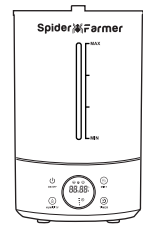
Metal Plant Stand

The Spider Farmer Metal Plant Stand is made of high quality iron with a moisture resistant powder coat finish. It can support up to 55 pounds per tier and is rust-resistant and durable. Paired with three spill-proof plant trays, it can prevent spills. The simple structure mainly consists of a shelf, support rod, waterproof tray and casters.



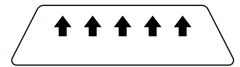
Humidifier

Spider Farmer's Humidifier adjusts mist volume and humidity (35%-95%) with 1-4 levels, has an independent hygrometer, and lasts up to 22 hours with a 6L tank. Its expandable hoses, 450 ml/h mist output covers large spaces and grow tents. It also has a sleep mode that runs with the screen closed.



Heat Mat

The Spider Farmer heating mat utilizes its advanced design to quickly heat the root area by 50-77°F (10-25°C) above the ambient air temp within 2 minutes. Compared with the traditional heating wire, the innovative far-infrared film heating speed is faster, the energy consumption is lower, the soft heat distribution is more uniform, and does not consume the moisture in the air, which is more conducive to the germination and rooting of indoor gardening.






Grow Bags

Spider Farmer's durable, high-quality non-woven fabric grow bags offer excellent aeration, preventing root rotation and promoting root health. Their sturdy handles ensure safe and easy movement.



Using Tips

	Germination	Seedling	Veg	Early Flower	Mid Flower	Late Flower
	Hang at 24"-30"	Hang at 24"	Hang at 16"-24"	Hang at 12"-18"	Hang at 8"-12"	Hang at 6"-10"
	50%	50%-75%	75%-100%	60%	90%	100%
	18hr ON / 6hr OFF	18hr ON / 6hr OFF	18hr ON / 6hr OFF	18hr ON / 6hr OFF	12hr ON / 12hr OFF	12hr ON / 12hr OFF
NOTE: Hanging distance is recommended based on the indoor temperature above 28C (82.4°F)						

WARRANTY & CAUTION

ENGLISH

Warranty

Spider Farmer will provide a warranty service through the following options which are only available in the United States, Canada, United Kingdom, European Union, Australia & Thailand.

1. Spider Farmer supports 30-day no-reason return and exchange under the condition the tent is in the original condition. If there are any problems regarding the quality, please contact us and Spider Farmer will cover the shipping costs for a return or replacement.
2. If the tent is defective, Spider Farmer will provide after-sales services according to the following rules:
 - Free parts will be provided within 3 month of the date the receipt was issued.
 - Free parts will be provided within 3-6 months of the date the receipt was issued but the customer will bear the shipping costs.
 - The customer must bear the costs of parts and shipping 6 months after the date the receipt was issued.

Caution

1. Please carefully follow the instructional steps to assemble the grow tent and avoid excessive force when assembling to prevent damage and light leakage.
2. Do not allow children to play on, in or around the grow tent.
3. Do not expose grow tent to direct sunlight, near an open flame or a heat source.
4. Please be extremely careful when holding sharp objects in or around grow tent.
5. Do not exceed the weight limits of the grow tent.

DEUTSCH

Garantie

Spider Farmer bietet einen Garantieservice durch die folgenden Optionen, die nur in den Vereinigten Staaten, Kanada, dem Vereinigten Königreich, der Europäischen Union, Australien und Thailand verfügbar sind.

1. Spider Farmer unterstützt eine 30-tägige Rückgabe ohne Angabe von Gründen und Umtausch unter der Bedingung, dass sich das Zelt im Originalzustand befindet. Wenn es Probleme mit der Qualität gibt, kontaktieren Sie uns bitte und Spider Farmer übernimmt die Versandkosten für eine Rücksendung oder einen Ersatz.
2. Wenn das Zelt defekt ist, leistet Spider Farmer Kundendienst gemäß den folgenden Regeln:
 - Kostenlose Teile werden innerhalb von 3 Monaten nach Ausstellung der Quittung bereitgestellt.
 - Kostenlose Teile werden innerhalb von 3-6 Monaten nach Ausstellung der Quittung bereitgestellt, aber der Kunde trägt die Versandkosten.
 - Die Kosten für Teile und Versand trägt der Kunde 6 Monate nach Ausstellungsdatum des Kaufbelegs.

Vorsicht

1. Bitte befolgen Sie sorgfältig die Anweisungen, um das Growzelt zusammenzubauen, und vermeiden Sie übermäßige Kraft beim Zusammenbau, um Schäden und Lichtaustritt zu vermeiden.
2. Erlauben Sie Kindern nicht, auf, in oder um das Growzelt herum zu spielen.
3. Setzen Sie das Growzelt nicht direktem Sonnenlicht, in der Nähe einer offenen Flamme oder einer Wärmequelle aus.
4. Bitte seien Sie äußerst vorsichtig, wenn Sie scharfe Gegenstände in oder um das Growzelt herum halten.
5. Überschreiten Sie nicht die Gewichtsgrenzen des Growzeltes.

FRANÇAIS

Garantie

Spider Farmer fournira un service de garantie via les options suivantes qui ne sont disponibles qu'aux États-Unis, au Canada, au Royaume-Uni, dans l'Union européenne, en Australie et en Thaïlande.

1. Spider Farmer prend en charge le retour et l'échange sans raison de 30 jours à condition que la tente soit dans son état d'origine. S'il y a des problèmes concernant la qualité, veuillez nous contacter et Spider Farmer couvrira les frais d'expédition pour un retour ou un remplacement.
2. Si la tente est défectueuse, Spider Farmer fournira des services après-vente selon les règles suivantes :
 - Les pièces gratuites seront fournies dans les 3 mois suivant la date d'émission du reçu.
 - Les pièces gratuites seront fournies dans les 3 à 6 mois suivant la date d'émission du reçu, mais le client supportera les frais d'expédition.
 - Le client doit supporter les frais de pièces et d'expédition 6 mois après la date d'émission du reçu.

Avertir

1. Veuillez suivre attentivement les instructions pour assembler la tente de culture et éviter une force excessive lors de l'assemblage pour éviter les dommages et les fuites de lumière.
2. Ne laissez pas les enfants jouer sur, dans ou autour de la tente de culture.
3. N'exposez pas la tente de culture à la lumière directe du soleil, à proximité d'une flamme nue ou d'une source de chaleur.
4. Veuillez être extrêmement prudent lorsque vous tenez des objets pointus dans ou autour de la tente de culture.
5. Ne dépassez pas les limites de poids de la tente de culture.

ITALIANO

Garanzia

Spider Farmer fornirà un servizio di garanzia attraverso le seguenti opzioni disponibili solo negli Stati Uniti, Canada, Regno Unito, Unione Europea, Australia e Thailandia.

1. Spider Farmer supporta il reso e lo scambio senza motivo entro 30 giorni a condizione che la tenda sia nelle condizioni originali. In caso di problemi relativi alla qualità, contattaci e Spider Farmer coprirà le spese di spedizione per un reso o una sostituzione.
2. Se la tenda è difettosa, Spider Farmer fornirà servizi post-vendita secondo le seguenti regole:
 - Le parti gratuite verranno fornite entro 3 mesi dalla data di emissione della ricevuta.
 - Le parti gratuite verranno fornite entro 3-6 mesi dalla data di emissione della ricevuta, ma il cliente si farà carico delle spese di spedizione.
 - Il cliente deve sostenere i costi delle parti e della spedizione 6 mesi dopo la data di emissione della ricevuta.

Attenzione

1. Seguire attentamente le istruzioni per assemblare la tenda da coltivazione ed evitare una forza eccessiva durante il montaggio per evitare danni e perdite di luce.
2. Non permettere ai bambini di giocare sopra, dentro o intorno alla tenda di coltivazione.
3. Non esporre la tenda da coltivazione alla luce diretta del sole, vicino a fiamme libere o fonti di calore.
4. Si prega di fare molta attenzione quando si tengono oggetti appuntiti dentro o intorno alla tenda da coltivazione.
5. Non superare i limiti di peso della tenda da coltivazione.

ESPAÑOL

Garantía

Spider Farmer proporcionará servicio de garantía a través de las siguientes opciones disponibles sólo en Estados Unidos, Canadá, Reino Unido, Unión Europea, Australia y Tailandia.

1. Spider Farmer admite devoluciones y cambios sin motivo en un plazo de 30 días siempre que la tienda esté en su estado original. En caso de problemas de calidad, póngase en contacto con nosotros y Spider Farmer cubrirá los gastos de envío para una devolución o cambio.
2. Si la tienda es defectuosa, Spider Farmer proporcionará servicios postventa de acuerdo con las siguientes reglas:
 - Las piezas gratuitas se proporcionarán en un plazo de 3 meses a partir de la fecha de recepción.
 - Se proporcionarán piezas gratuitas en un plazo de 3 a 6 meses a partir de la fecha de emisión del recibo, pero el cliente correrá con los gastos de envío.
 - El cliente correrá con los gastos de las piezas y de envío 6 meses después de la fecha de emisión del recibo.

Atención

1. Siga cuidadosamente las instrucciones de montaje de la tienda de cultivo y evite aplicar una fuerza excesiva durante el montaje para evitar daños y fugas de luz.
2. No permita que los niños jueguen sobre, dentro o alrededor del armario de cultivo.
3. No exponga la tienda de cultivo a la luz solar directa, llamas abiertas o fuentes de calor.
4. Tenga mucho cuidado al sostener objetos afilados dentro o alrededor de la tienda de cultivo.
5. No supere los límites de peso del armario de cultivo.

YOUR RELIABLE INDOOR GROW PARTNER

Our Social Media



Contact:

Tel: +1 866 553 8582

Email: support@spider-farmer.com

info@spider-farmer.com