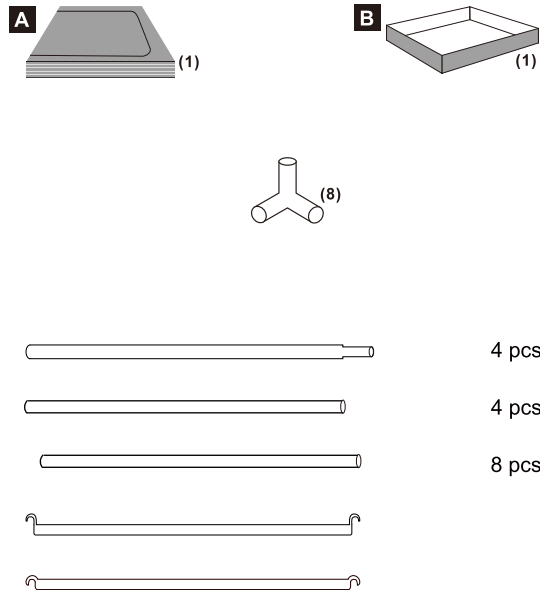


Grow Tent Assembly Instructions

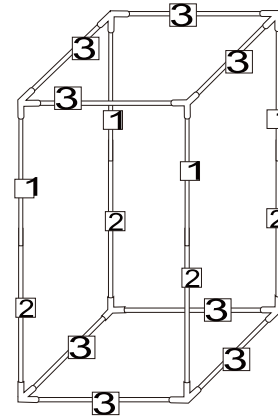
For Tent Size: 40x40x120-140cm
 60x60x100-200cm
 80x80x160-200cm
 90x90x180-200cm
 100x100x180-200cm
 120x120x200-230cm
 140x140x200-230cm
 150x150x200-230cm
 160x160x200-230cm

COMPONENTS

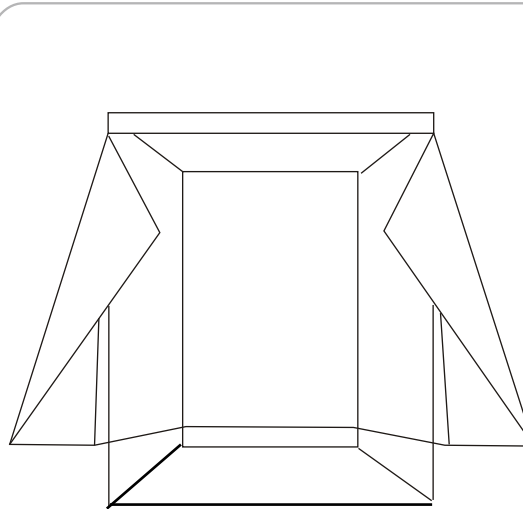
(A) Tent, (B) Floor Tray, (C) Filter Straps,
 (D) Corner Adapter, (1-5) Framework Support



STEP 1

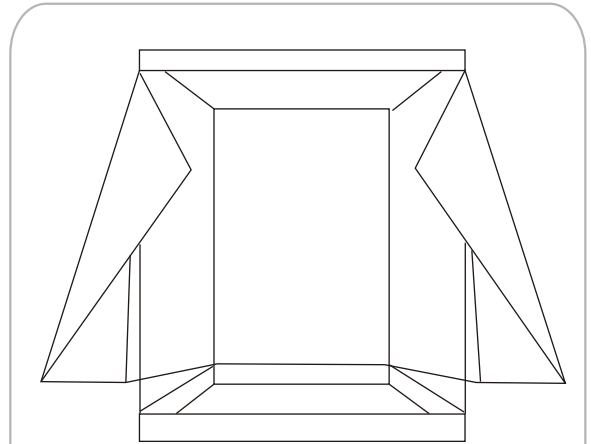


STEP 2



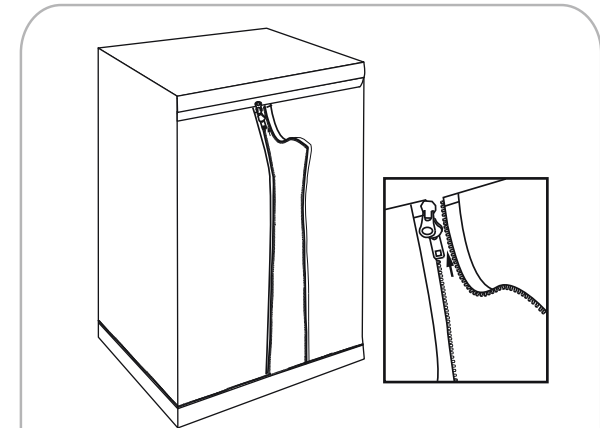
Unzip all zippers of the tent cover all the way.
 Gently pull up the top of tent shell on the frame
 make sure all corners are squarely in place.
 Having a helper makes this process easier.

STEP 3



Pull the bottom of tent shell under
 the base of tent frame properly.

STEP 4



Put all hanging bars on the top
 of the frame.
 Place floor tray inside the tent
 floor and secure to Velcro pieces
 of the tent cover.
 Close all zippers.