



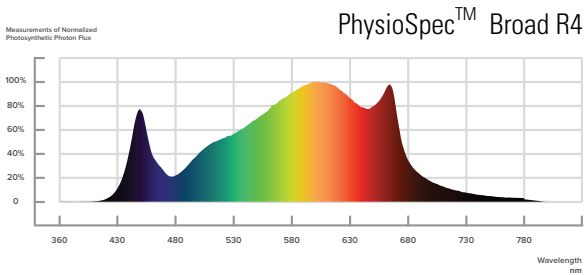
SPYDR 2h47 EU

The **SPYDR 2h** is a high-output multi-tier grow light for commercial cultivation environments, producing a photosynthetic photon flux (PPF) of 2,180 $\mu\text{mol/s}$. With strong uniformity and our PhysioSpec™ broad R4 spectrum, SPYDR 2h is designed to maximize yields for growers incorporating high-intensity lighting and cultivation strategies.

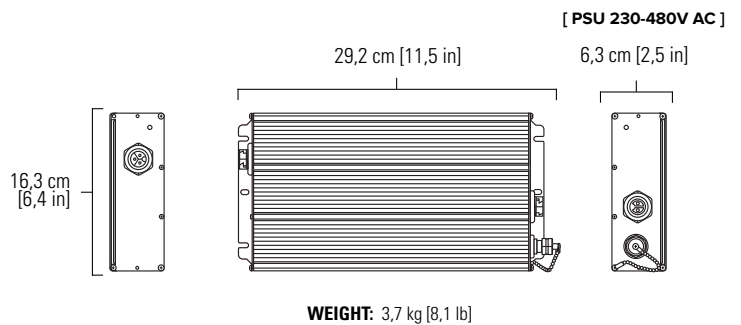
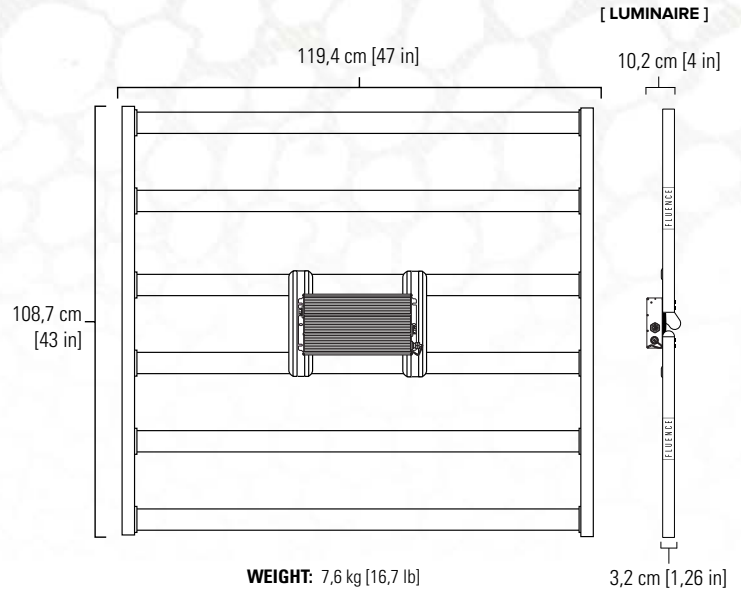
SPECIFICATIONS

Light Source	LED
Spectrum	PhysioSpec™ Broad R4
Light Output PPF	2180 μmol/s
Efficacy	2,7 μmol/J @ 230 V AC, 2,76 μmol/J @ 400 V AC
AC Input Power	797 W @ 230 V AC, 788 W @ 400 V AC
AC Input Voltage	230-480 V AC, 50 Hz
Nominal Power Factor	0,99 @ 230 V AC, 0,97 @ 400 V AC at 100% output
Nominal Mains Current	2,83 A @ 230 V AC, 2,05 A @ 400 V AC at 100% output
Light Distribution	120°
Mounting Height Above Canopy	15 cm - 30 cm [6" - 12"]
Thermal Management	Passive
Max. Ambient Temperature/Humidity	35°C [95°F], 90% RH
Dimming	Off/on 0/1-10 V sink dimming, source driver
Total Harmonic Distortion (THD)	< 10% at 100% output
Lifetime (Driver and LED Q90)	> 50.000 hrs
IP Rating per IEC 60598-1	IP66
Certifications	CE, UL 8800, IEC 60598-1
Warranty	5 Year Limited Warranty
Electrical Insulation	Class III (IEC 60598-1 Luminaire)
DLC Reported Application Position/Use case	Indoor (Stacked and Non-stacked), Top light/Sole-source

SPECTRA



Disclaimer: Performance values are from representative tests performed in accordance industry standards listed. Actual application performance may vary due to component tolerances and installation, environmental, and field measurements conditions.



LIGHT BARS

Description	Regional Commercial Code	Ordering PN 12NC Single Pack (-S)	Ordering PN 12NC Bulk Pack (-B)	Bulk Pack Pallet Quantity
SPYDR, 2h47, Light Bar, R4	SR-2H47-I	9124 017 01644	9124 017 01647	15

POWER SUPPLIES

AC Voltage	AC Connector Type	DC Current	Regional Commercial Code	Ordering PN 12NC Single Pack (-S)	Ordering PN 12NC Bulk Pack (-B)	Bulk Pack Pallet Quantity
230-480 V	M19	14,6 A	PHMG-V3B-800-146	9124 017 01650	9124 017 01660	24

POWER SUPPLY ACCESSORIES

Description	Regional Commercial Code	Ordering PN 12NC Single Pack (-S)	Ordering PN 12NC Bulk Pack (-B)	Bulk Pack Carton Quantity
800W PSU Fixture Mounting Bracket Kit	MF-S2-MB-8V	9124 017 01635	9124 016 55906	20

MOUNTING HARWARE

Description	Pcs per kits	Regional Commercial Code	Ordering PN 12NC Single Pack (-S)	Ordering PN 12NC Bulk Pack (-B)	Bulk Pack Carton Quantity
Adjustable Hanging Kit	2	MT-SR-GM-05	9124 017 01641	9124 016 55893	10
Lance Wire Hanger Kit	2	MT-SR-M2-XX	9124 017 01633	9124 016 88765	20
Offset Solid Deck Mounting Kit	4	MR-S2-SD-OS	9124 017 01630	9124 016 88762	20
Solid Deck Wire Hanger Kit 4.38 IN	4	MR-S2-SD-XX	9124 017 01638	9124 016 55894	20
Waterfall Wire Hanger Kit, Twisted V (8.375")	4	MR-S2-WL-XX	9124 017 01639	9124 016 55895	20
Waterfall Wire Hanger Kit, Twisted V (5.5")	4	MR-S2-WS-XX	9124 017 01640	9124 016 88763	20
PIPP Rack Hanger Kit - ABS Tray (4" Spacing)	4	MR-S2-VS-XX	9124 017 01632	9124 016 88771	20
PIPP Rack Hanger Kit - ABS Tray with VAS (6" Spacing)	4	MR-S2-VL-XX	9124 017 01631	9124 016 56014	20
PIPP Rack Hanger Kit - ABS Tray with VAS Long (8" Spacing)	4	MR-S2-VL-XL	9124 017 01761	9124 017 01760	20
PIPP Rack Hanger Kit - Offset Drip/Flood Tray with VAS	4	MR-S2-VL-OS	9123 000 02431	9124 016 88773	20
PIPP Rack Hanger Kit - Offset Drip/Flood Tray	4	MR-S2-VS-OS	9124 017 01642	9124 016 88775	20

DIMMING SIGNAL CABLE (Power Supply to Dimming Control)

Description	Regional Commercial Code	Ordering PN (12NC) Single Pack (S)	Ordering PN (12NC) Bulk Pack (B)	Bulk Pack Carton Quantity
80 cm (31,5 IN) Dimming Signal Cable, Cca, Pigtail, M12 Connector	CCE-XXC3T2FL3X0.8	9124 017 01623	9124 016 55883	10

AC POWER CABLE (Power Supply to AC Line)

Description	Regional Commercial Code	Ordering PN 12NC Single Pack (S)	Ordering PN 12NC Bulk Pack (B)	Bulk Pack Carton Quantity
1,83 m (6 FT) AC Cable, VDE H07RN-F, Schuko Type F7 Plug, M19 Push Lock, 250 V AC	CAE-XXV3P9FF7P1.8	9124 017 01628	9124 016 55901	10
1,83 m (6 FT) AC Cable, VDE H07RN-F, Pigtail, M19 Push Lock (not for CE countries)	CAR-XXV3P9FL3X1.8	9124 017 01616	9124 016 88464	10
4,57 m (15 FT) AC Cable, VDE H07RN-F, Schuko Type F7 Plug, M19 Push Lock, 250 V AC	CAE-XXV3P9FF7P4.6	9124 017 01615	9124 016 88463	5
4,57 m (15 FT) AC Cable, VDE H07RN-F, Pigtail, M19 Push Lock (not for CE countries)	CAR-XXV3P9FL3X4.6	9124 017 01617	9124 016 88465	5
70 cm (27,6 IN) AC Cable, Dca, Pigtail, M19 Push Lock (400V CE application)	CAE-XXD3P9FL3X0.7	9124 017 01627	9124 016 55887	10



Review our products, share your grow and stay abreast of the latest Fluence news and product releases through the channels below:



[@Fluence_Global](#) | [@Fluence_LED](#)

fluence-led.com

© Copyright 2024. Fluence Bioengineering, Inc.