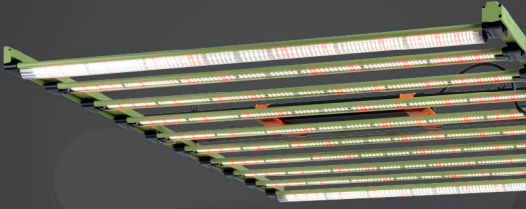


# TREEGERS GL1000W+ LED FIXTURE



HARNESS THE POWER, WITH A MASSIVE LIGHT OUTPUT, USABLE PHOTON EFFICACY AND EXCEPTIONAL CANOPY UNIFORMITY, OUR GL1000W+ WILL ELEVATE YOUR GROW TO THE NEXT LEVEL. THE ULTIMATE IN CUTTING-EDGE, GROW LIGHT TECHNOLOGY AND INNOVATION, THIS 10 BAR FIXTURE WITH DETACHABLE BARS, OFFERS UNBEATABLE PERFORMANCE AND AFFORDABILITY.

## USER GUIDE

- To ensure safety, please read this manual carefully before installation and follow the instructions herein.
- Store this manual in a secure place for future reference.

Made in P.R.C.


Getting Started	1
English	3
Spanish	15
French	27
Deutsche	39
Italian	51
Czech Republic	63

# Getting Started

**Hello there! Congratulations on your new Treegers GL1000W+ LED GROW LIGHT FIXTURE!**

Our products are packaged and shipped with the utmost care. In the unlikely event that your item is incorrect, incomplete, or unsatisfactory, please contact us and we will see to fix it immediately.



TREEGERS

TACTICAL GROW GEAR

[treegers.com](https://treegers.com)

# Treegers GL1000W+ LED Fixture

## User Guide

### English

#### Contents

1. Introduction	4
2. Product Description	4
3. What's in the Box	4
4. Optional Treegers Accessories	5
5. Safety Recommendations and Warnings	6
6. Assembly and Operation	6
7. Optical Lenses	10
8. Care and Maintenance	10
9. Fixture Specifications	10
10. Fixture Dimensions	12
11. Operating Conditions	12
12. Compliance	12
13. Storage	13
13. Disposal	13
15. Service and Warranty	13

# 1. Introduction

Congratulations on your choice to cultivate with the **Treegers GL1000W+ LED Fixture**.

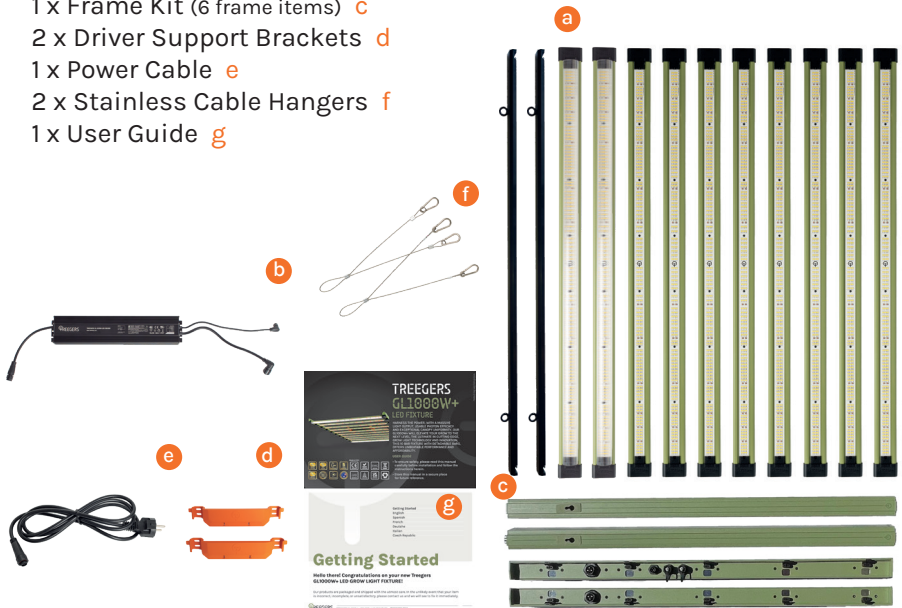
To ensure a seamless experience, we encourage you to thoroughly review and understand this guide prior to operating this fixture. If for any reason, you are unsure about the installation process, we strongly recommend that installation is carried out by a qualified professional.

# 2. Product Description

The **GL1000W+ LED** is a high powered, multi linear grow light with outstanding uniformity and a fixture efficacy of up to 3.1  $\mu\text{mol}/\text{J}$ . It is also equipped with Treegers Full-Spectrum HybridF+ blend of diodes to ensure optimal plant health and hefty harvests. The modular design of the **GL1000W+** ensures swift servicing and maintenance while its IP rating of IP66 will protect against moisture and dust.

# 3. What's in the Box?

- 10 x High Powered LED Bars (2 with optical lenses) **a**
- 1 x 1000W High Grade Driver **b**
- 1 x Frame Kit (6 frame items) **c**
- 2 x Driver Support Brackets **d**
- 1 x Power Cable **e**
- 2 x Stainless Cable Hangers **f**
- 1 x User Guide **g**



## 4. Optional Treegers Accessories

- Treegers Precise T-Dimmer 0-10v (manual dimming)  
Product code: TPTD001



- Treegers 1000W Driver Extension Kit (3m Cable Set)  
Product code: TDEK002



- Treegers Growcast Lighting Controller (automatic controller for up to 50 fixtures)  
Product code: TGC001



- Treegers Fixture Link Cable 4m (use to connect one fixture to another when controlling or dimming multiple fixtures) Product code: TFLK001



- Treegers Universal RJ-10V 3 pin Connection Cable 4m (use to connect alternative lighting controller that requires RJ connection) Product code: TUCC001



## 5. Safety and Warnings

- Ensure compliance with local laws and regulations regarding the use of this product.
- Ensure the lighting fixture is secured firmly in place prior to operation.
- Always disconnect power prior to moving the light fixture.
- After disconnecting power, allow the fixture to cool down before touching any part.
- Do not touch the light fixture when on, as some components may be hot.
- Do not touch the diodes with your hands, even when the unit is turned off.
- Do not look directly at the light source.
- Do not work underneath the lighting fixture while it is in operation.
- Do not immerse the light fixture in water.
- Do not attempt to service or repair the light fixture, including power cables.
- Maintain a distance of at least 5 cm from all surrounding objects to the light fixture.
- Do not use any abrasive cleaning products to clean the light fixture.
- Do not expose light fixtures to excessive heat sources.
- Do not use the LED fixture near flammable, explosive or reactive substances.
- Do not use sulphur vaporizers or water misters.
- If damage to any part of the light fixture occurs, disconnect and cease operation of the light fixture immediately.

## 6. Assembly and Operation

- Remove all items from their packaging and locate each item required for assembly.
- Thoroughly inspect each item for possible damage prior to assembly.
- Begin your assembly by joining together, each half of the outer frame assemblies **1&2**.

1.

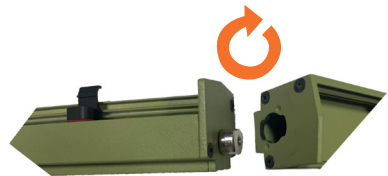


1.

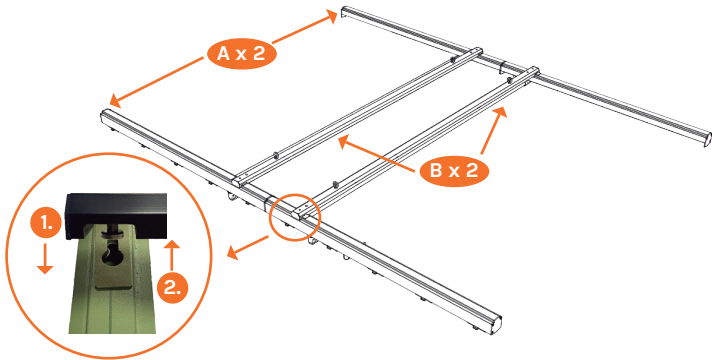
2.



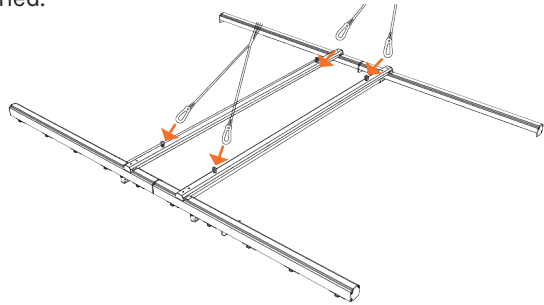
2.



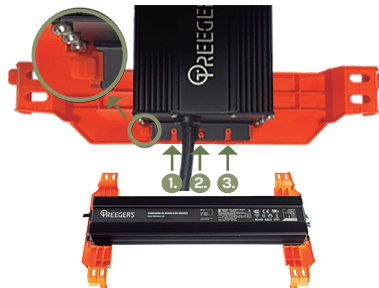
- Begin your assembly by attaching the black support frame pieces to both of the green frame sections. Locate the keyholes in the outer frame pieces (A) and align with the lugs in the frame support pieces (B). Push down (1.) and slide inwards (2.) to secure. Attach both ends of one frame support piece (B) first, to both outer frame pieces and then repeat to attach second frame support.



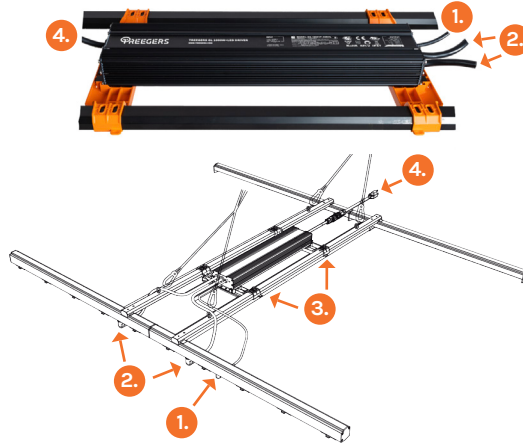
- Once the frame assembly is complete, attach each cable hanger to both hanging eyelets as pictured below and suspend the unit where required, ensuring the fixture is firmly attached.



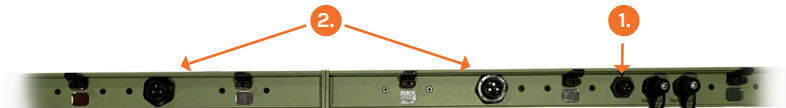
- Locate and attach each of the two orange driver support brackets to each end of the driver. When attaching the driver to the brackets, be sure to line up the three locating pins on the bracket to the three holes located on the mounting plate as shown below. Pay close attention to the position of the screw heads, ensuring they are resting within the recessed section of the bracket, also pictured below.



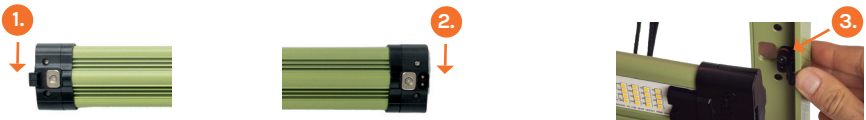
- Once the driver is secured to each of the driver brackets, attach the driver to frame assembly (as shown below), by clicking driver brackets onto the frame supports. Each bracket should be clipped into place, paying attention to the locating slots. Ensure the driver is positioned with the dimming (1.) and power cable (2.) facing to the correct side for attachment to the frame. Once in place, the driver will be secure with a little movement within the locating slots (3.)



- Connect the cables (1 & 2) that exit from one end of the driver to the frame. The sockets for these are located underneath the powered side of the GL1000W+ frame. When inserted, the ringlock of each cable socket should click and rotate when pushed in firmly. You can also connect the power cable (4.) to the single socket that exits the other end of the driver. Do not turn the power on yet.

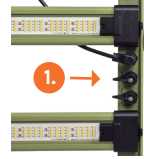


- Once the driver is attached and connected, you can now attach the LED bars. The GL1000+ has two LED bars that are fitted with optical lenses. Keep these aside for fitment last. Each LED bar is fitted with a high strength magnet on either end to help secure them in place, with a hook on one end (1.) and a powered socket on the other (2.). Attach one bar at a time, starting with the centre bars and finish using the two bars with optical lenses on the outer edges of the fixture. Insert the hooked end of each bar into the locating hole on the non-powered side of the LEDs frame and then carefully push the other end of each bar into place by clicking into its socket housing on the powered side of the LED frame. Take note of the barbed spring tab (3.), ensuring secure attachment.

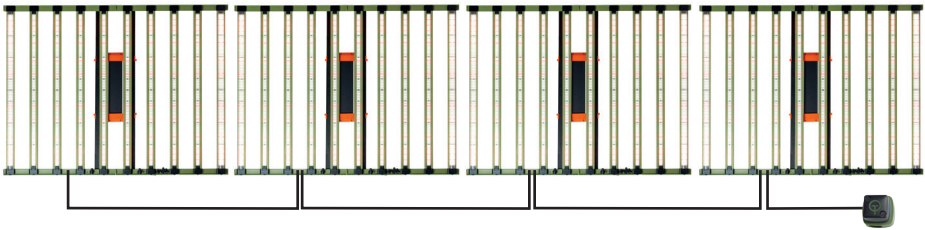




- If using a Treegers Precise T-Dimmer or Treegers Growcast, connect it to the signal input socket (1.), located on the underside of the **GL1000w+** frame.



- If operating multiple light fixtures and you are using the Treegers Growcast, connect each light using a Treegers Fixture Link Cable. Connect the Treegers Fixture Link Cable to the Signal Output socket of the first light that has the Treegers Growcast connected to it, then connect the other end of the Fixture Link Cable to the Signal Input socket of the second light. Repeat this step to connect the second light to the third light and so on. Up to 50 fixtures can be linked to one Growcast controller.



## Cautions

- Ensure your power supply is safe and fit for purpose before connecting your **GL1000W+** grow light to your power supply.
- When hanging or mounting your **GL1000W+** light fixture, make sure it is firmly attached and secure before turning it on.
- Ensure the mounting system can support the weight of the light fixture before turning it on.
- Our **GL1000W+** fixture is designed with removable LED bars. All bars must be installed prior to operating. If one bar requires removal for servicing, we recommend replacing it as soon as practically possible, as prolonged use with missing bars is not recommended. If less light is required, we recommend installing a Treegers Precise T-Dimmer or Treegers Growcast to reduce the fixtures overall light output.

If all precautions have been taken, your LED can now be turned on.

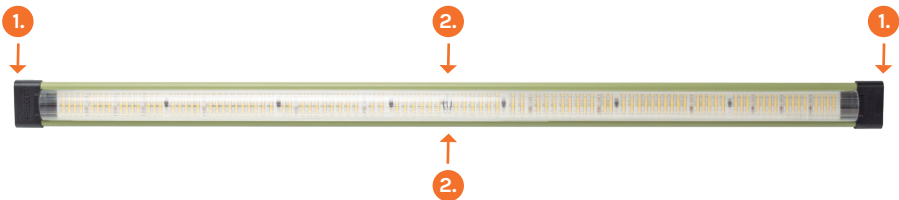


For further guidance on how to get the most out of your new **Treegers GL1000W+** LED Fixture, explore our Grow Light Tactics here.



## 7. Optical Lenses

The **GL1000W+** is fitted with two removable optical lenses. These lenses have been designed to narrow and intensify the dispersion of emitted light. They are used on the outer bars of our GL+ fixtures to increase uniformity across the fixtures footprint. If you are mounting multiple fixtures spaced closer than 50 cm apart, you may wish to remove the optical lenses to allow for a greater overlap of light from each fixture. To do this, simply remove the rubber plug on each end of the end of the bar (1.), then gently squeeze the base of the lens inwards (2.) to unclip and carefully pull free. Ensure care is taken to not cause unnecessary damage to the lens or resin coating of the diodes. The lens can be reinstalled if needed by reversing the removal method. If your LED fixtures are dismantled and reassembled, your lenses can be reinstalled on any GL+ LED bar, however we strongly recommend limiting their use to outer bars only.



## 8. Care and Maintenance

**CAUTION:** Always ensure the fixture has been disconnected from power and allowed to cool down before carrying out any cleaning or maintenance.

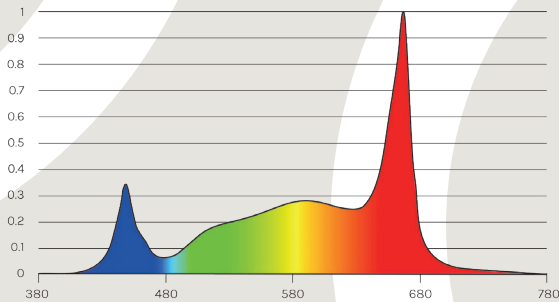
To ensure your new light continues to perform at its best, we recommend cleaning your fixture regularly with a soft damp cloth. Use extra caution when cleaning your LED bars as scrubbing too hard may cause damage to the silicone resin coating that protects the diodes. A can of compressed air can also be useful to blow dust from within cracks and crevices of the fixture.

## 9. Fixture Specifications

- Product Code: TGL0004
- EAN/GTIN: 9309001188061
- Power Consumption: 1000W  $\pm$ 5%
- Light Output PPF: 3090  $\mu$ mol/s
- Fixture Efficacy: 3.1  $\mu$ mol/J
- Diodes Efficacy: Up to 4.35  $\mu$ mol/J

- Coverage Area: Minimum 1.2x1.5m up to Maximum 1.5x1.8 m
- Thermal Management: Passive Cooling
- Input Voltage: 120-277V, 50/60 Hz
- Ingress Protection: IP66
- Lifetime: +50 000Hrs
- Dimming: 0-10-20-30-40-50-60-70-80-90-100% (w/ Treegers Precise T Dimmer 0-10V)
- External Control: w/ Treegers Growcast or any Universal Controller
- Light Distribution: 120°
- Fixture Dimensions: 1442x1090x100 mm
- Fixture Weight: 13.50 Kg
- Carton Dimensions: 1170x440x157 mm
- Gross Weight: 17.25 Kg
- Certifications: CE, UKCA, RCM, RoHS, SAA
- Warranty: 5 Years
- Spectrum: Full-Spectrum HybridF+
- SQD Spectrum Graph:

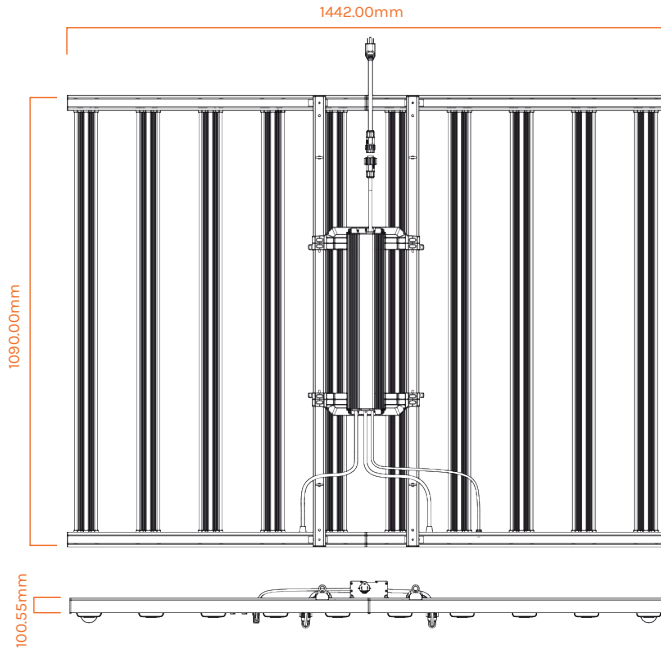
## Full-Spectrum HybridF+ by TREEGERS



### GL1000W+ MAXIMUM INPUT CURRENT

INPUT VOLT	DIMMING	INPUT POWER (W)	INPUT CURRENT (A)
230AC	100%	1009.8W	4.87
240AC	100%	1008.2W	4.68
277AC	100%	1005.2W	4.09

## 10. Fixture Dimensions



## 11. Operating Conditions

Our GL LED fixtures have a dust and water ingress rating of IP66. This means they are dust tight and protected against high pressure 12.5mm water jets, however, our fixtures have been designed for indoor use only and **should not** be operated outdoors or in wet environments. Our GL fixtures will tolerate ambient temperatures of up to 45°C but we recommend operation within a range of between 20°C-30°C where possible, to maintain peak performance. Relative humidity should not exceed 90%.

## 12. Compliance

This product meets UK, EU, and AS/NZS electrical safety and electromagnetic compatibility standards. It is also RoHS compliant and adheres to WEEE directive obligations for sales in European countries.

### 13. Storage

When not in use, this product should be cleaned thoroughly before storing it in its original packaging and kept in a cool, dry location. Always thoroughly inspect for any damage prior to reassembly.

### 14. Disposal

Separate from household waste and choose authorised recycling facilities for correct disposal of this product. Alternatively, use authorised WEEE collection points or contact local waste authorities for disposal guidance.

### 15. Service and Warranty

We stand behind the quality of our products and offer a **five year warranty** on your **GL1000W+** from date of purchase.

Please use the area below to record the place and date of purchase along with your fixtures serial number. (located on the underside of the fixtures frame) Please note that the LED driver and each LED bar has its own unique serial number for peace of mind and transparency.

Place of purchase: .....

Date of purchase: .....

Serial number: .....

Please store this in a safe place for future reference.

#### Warranty Coverage

The warranty covers defects in materials and workmanship under normal use, including malfunctions in the LED fixture, power cable or connectors.

#### Exclusions

The warranty does not cover damage resulting from improper installation or assembly, unauthorised modifications or repairs, accidents, misuse, negligence or any use of non-approved accessories. Our warranty does not cover damage to diodes caused by high sulphur environments. It is strongly recommended that care is taken when using airborne pesticides and fertilisers.

**IMPORTANT:** Exposure to high sulphur environments will void fixture warranty. Preventative measures must be taken to ensure lighting fixtures remain clean and are not exposed to any products containing sulphur, chlorine or bromide. Please contact [support@treegers.com](mailto:support@treegers.com) if you would like further information on how you can minimise the risk of diode vulcanisation due to high sulphur environments.

## Warranty Claim Process

If you experience any issues covered by the warranty, please follow these steps:

Contact Customer Support: Reach out to our customer support team via email at [support@treegers.com](mailto:support@treegers.com) to initiate a warranty claim.

Provide Proof of Purchase: Have your proof of purchase ready to validate the warranty period.

Describe the Issue: Clearly describe the issue you are facing and follow any instructions provided by our support team.

Return Process: If necessary, our support team will guide you through the return process. Do not return products without prior authorization.

## Service and Repairs

For issues not covered by the warranty or if the warranty period has expired, when possible, we can offer a repair service. Contact our customer support team for information on service fees, shipping instructions, and any other details related to out-of-warranty repairs.

## Customer Support

Our dedicated customer support team is available to assist you with any questions, concerns, or warranty claims. Feel free to reach out at [support@treegers.com](mailto:support@treegers.com).

## Thank you for choosing Treegers.

We are committed to providing you with an excellent growing experience.



# Luminaria LED Treegers GL1000W+

## Guía del usuario

### Español

#### Contenido

1. Introducción	16
2. Descripción del Producto	16
3. Qué hay en la caja	16
4. Accesorios Treegers opcionales	17
5. Seguridad y Advertencias	18
6. Ensamblaje y Operación	18
7. Lentes ópticos	22
8. Cuidado y mantenimiento	22
9. Especificaciones	22
10. Dimensiones del accesorio	24
11. Condiciones de operación	24
12. Cumplimiento	24
13. Almacenamiento	25
14. Desecho	25
15. Servicio y garantía	25

# 1. Introducción

Felicitaciones por su elección de cultivar con el dispositivo **LED Treegers GL1000W+**.

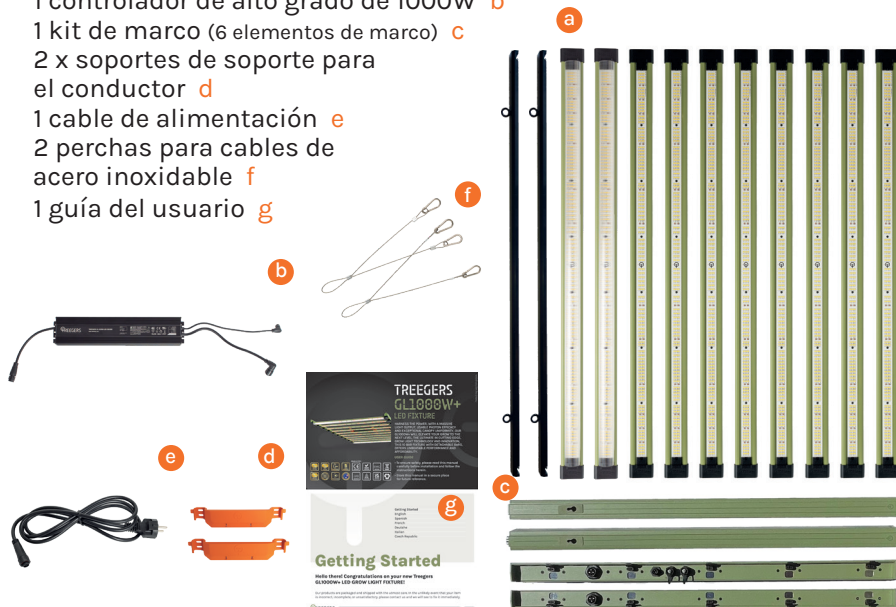
Para asegurar una experiencia sin problemas, le recomendamos que revise y comprenda completamente este guía antes de operar el dispositivo. Si por alguna razón tiene dudas sobre el proceso de instalación, le recomendamos encarecidamente que la instalación sea realizada por un profesional cualificado.

# 2. Descripción del Producto

La **GL1000W+ LED** es una luz de crecimiento multilineal de alta potencia con una uniformidad excepcional y una eficacia de **fijación de hasta 3,1 umol/J**. También está equipado con la mezcla de diodos Treegers Full-Spectrum HybridF+ para garantizar una salud óptima de las plantas y cosechas abundantes. El diseño modular del **GL1000W+** garantiza un servicio y mantenimiento rápidos, mientras que su clasificación IP66 protegerá contra la humedad y el polvo.

# 3. ¿Qué hay en la caja?

- 10 x barras LED de alta potencia (2 con lentes ópticas) **a**
- 1 controlador de alto grado de 1000W **b**
- 1 kit de marco (6 elementos de marco) **c**
- 2 x soportes de soporte para el conductor **d**
- 1 cable de alimentación **e**
- 2 perchas para cables de acero inoxidable **f**
- 1 guía del usuario **g**





## 4. Accesorios Treegers opcionales

- Treegers Precise T-Dimmer 0-10V (atenuación manual)  
Código de producto: TPTD001



- Kit de extensión de controlador Treegers de 1000W (juego de cables de 3 m)  
Product code: TDEK002



- Controlador de iluminación Treegers Growcast (controlador automático para hasta 50 luminarias) Product code: TGC0001



- Cable de conexión de luminarias Treegers de 4 m (se utiliza para conectar una luminaria a otra al controlar o atenuar varias luminarias) Product code: TFLK001



- Cable de conexión Treegers Universal RJ-10V de 3 pines de 4 m (se usa para conectar un controlador de iluminación alternativo que requiere conexión RJ) Product code: TUCC001



## 5. Seguridad y Advertencias

- Garantice el cumplimiento de las leyes y regulaciones locales con respecto al uso de este producto.
- Asegúrese de que el dispositivo de iluminación esté asegurado firmemente en su lugar antes de operarlo.
- Siempre desconecte la energía antes de mover la lámpara.
- Después de desconectar la alimentación, permita que el dispositivo se enfríe antes de tocar cualquier pieza.
- No toque la lámpara cuando esté encendida, ya que algunos componentes tal vez caliente.
- No toque los diodos con las manos, incluso cuando la unidad esté apagada.
- No mire directamente a la fuente de luz.
- No trabaje debajo del dispositivo de iluminación mientras esté en funcionamiento.
- No sumerja la lámpara en agua.
- No intente dar servicio o reparar la lámpara, incluidos los cables de alimentación.
- Mantenga una distancia de al menos 5 cm desde todos los objetos circundantes hasta la lámpara.
- No utilice ningún producto de limpieza abrasivo para limpiar la lámpara.
- No exponga los artefactos de iluminación a fuentes de calor excesivo.
- No opere artefactos de iluminación cerca de sustancias inflamables.
- Si se produce daño a alguna parte del artefacto de iluminación, desconecte y deje de operar el artefacto de iluminación inmediatamente.

## 6. Ensamblaje y Operación

- Retire todos los elementos de su embalaje y ubique cada elemento necesario para el montaje.
- Inspeccione minuciosamente cada artículo para detectar posibles daños antes del montaje.
- Comience el ensamblaje uniendo cada mitad de los conjuntos del marco exterior **1 y 2**.

1.



1.

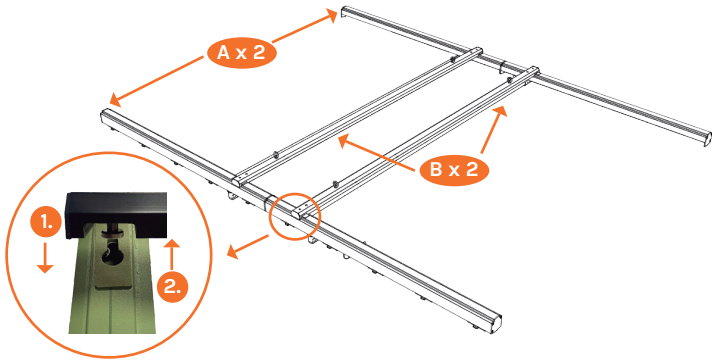
2.



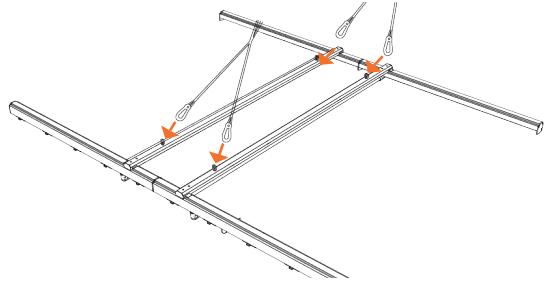
2.



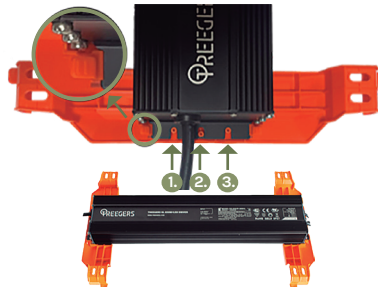
- Comience el ensamblaje uniendo las piezas negras del marco de soporte a ambas secciones del marco verde. Ubique los orificios en las piezas del marco exterior (A) y alinearlos con las orejetas en las piezas de soporte del marco (B). Empuje hacia abajo (1.) y deslice hacia adentro (2.) para asegurar. Primero fije ambos extremos de una pieza de soporte del marco (B) a ambas piezas exteriores del marco y luego repita para fijar el segundo soporte del marco.



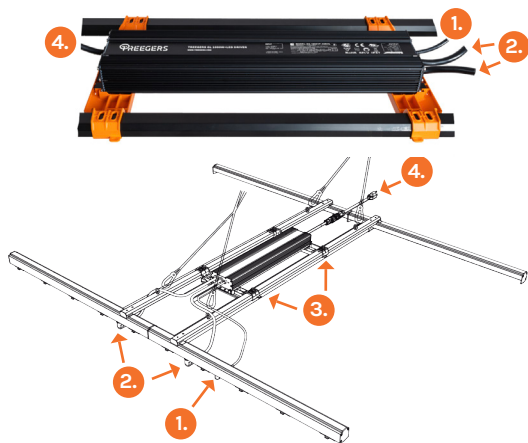
- Una vez que se complete el ensamblaje del marco, fije cada colgador de cables a ambos ojales para colgar como se muestra a continuación y suspenda la unidad donde sea necesario, asegurándose de que el accesorio esté firmemente sujeto.



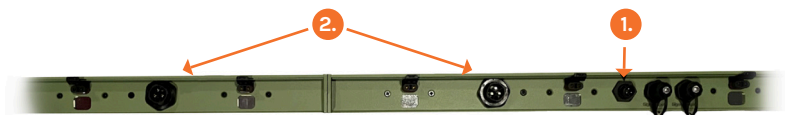
- Ubique y fije cada uno de los dos soportes de soporte del controlador naranja a cada extremo del controlador. Al fijar el controlador a los soportes, asegúrese de alinear los tres pasadores de ubicación del soporte con los tres orificios ubicados en la placa de montaje como se muestra a continuación. Preste mucha atención a la posición de las cabezas de los tornillos, asegurándose de que descansen dentro de la sección empotrada del soporte, que también se muestra a continuación.



- Una vez que el controlador esté asegurado a cada uno de los soportes del controlador, fije el controlador al conjunto del marco (como se muestra a continuación), haciendo clic en los soportes del controlador en los soportes del marco. Cada soporte debe encajarse en su lugar, prestando atención a las ranuras de ubicación. Asegúrese de que el controlador esté colocado con la atenuación (1.) y el cable de alimentación (2.) orientados hacia el lado correcto para su fijación al marco. Una vez colocado, el driver quedará seguro con un pequeño movimiento dentro de las ranuras de localización (3.)



- Conecte los cables (1 y 2) que salen de un extremo del controlador al marco. Los enchufes para estos están ubicados debajo del lado eléctrico del marco **GL1000W+**. Cuando se inserta, el anillo de bloqueo de cada toma de cable debe hacer clic y girar cuando se presiona firmemente. También puede conectar el cable de alimentación (4.) al enchufe único que sale del otro extremo del controlador. No encienda la alimentación todavía.

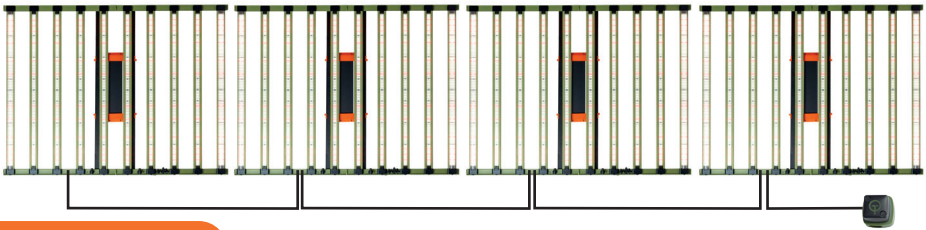


- Una vez que el controlador esté conectado y conectado, ahora puede conectar las barras de LED. El **GL1000+** tiene dos barras de LED equipadas con lentes ópticas. Manténgalos a un lado para que se instalen al final. Cada barra de LED está equipada con un imán de alta resistencia en cada extremo para ayudar a asegurarlas en su lugar, con un gancho en un extremo (1.) y una toma de corriente en el otro (2.). Coloque una barra a la vez, comenzando con las barras centrales y termine usando las dos barras con lentes ópticas en los bordes exteriores del dispositivo. Inserte el extremo en forma de gancho en el orificio de ubicación en el lado sin alimentación del marco de LED y luego empuje con cuidado el otro extremo de cada barra en su lugar haciendo clic en su alojamiento del zócalo en el lado con alimentación del marco de LED. Tome nota de la pestaña del resorte con púas (3.), asegurando una fijación segura.



Si utiliza un Treegers Precise T-Dimmer o Treegers Growcast, conéctelo a la toma de entrada de señal (1.), ubicada en la parte inferior del marco **GL1000W+**.

Si utiliza varios artefactos de iluminación y está utilizando Treegers Growcast, conecte cada luz usando un cable de conexión de artefactos Treegers. Conecte el cable de conexión del accesorio de Treegers al enchufe de salida de señal de la primera luz que tiene el Treegers Growcast conectado, luego conecte el otro extremo del cable de enlace del accesorio al enchufe de entrada de señal de la segunda luz. Repita este paso para conectar la segunda luz a la tercera luz y así sucesivamente. Se pueden vincular hasta 50 dispositivos a un controlador Growcast.



## Precauciones

- Asegúrese de que su fuente de alimentación sea segura y adecuada para su propósito antes de conectar su lámpara de cultivo **GL1000W+** a su fuente de alimentación.
- Al colgar o montar su lámpara **GL1000W+**, asegúrese de que esté firmemente sujeta y segura antes de encenderla.
- Asegúrese de que el sistema de montaje pueda soportar el peso de la lámpara antes de encenderla.
- Nuestra luminaria **GL1000W+** está diseñada con barras LED extraíbles. Todas las barras deben instalarse antes de operar. Si es necesario retirar una barra para realizarle mantenimiento, recomendamos reemplazarla lo antes posible, ya que no se recomienda el uso prolongado con barras faltantes. Si se requiere menos luz, recomendamos instalar un Treegers Precise T-Dimmer o Treegers Growcast para reducir la salida de luz general de las luminarias.

Si se han tomado todas las precauciones, ahora se puede encender el LED.

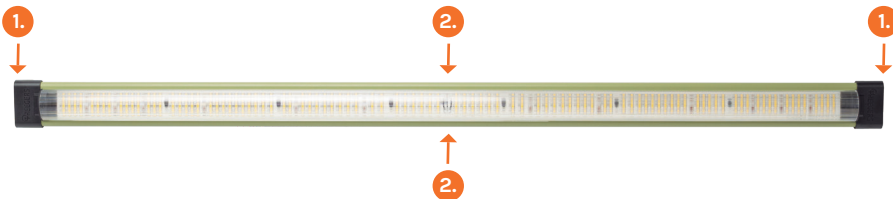


Para obtener más orientación sobre cómo aprovechar al máximo su nueva luminaria LED Treegers **GL1000W+**, explore nuestras tácticas de iluminación de cultivo aquí.



## 7. Lentes ópticas

El **GL1000W+** está equipado con dos lentes ópticas extraíbles. Estas lentes han sido diseñadas para estrechar e intensificar la dispersión de la luz emitida. Se utilizan en las barras exteriores de nuestros accesorios GL+ para aumentar la uniformidad en todo el espacio que ocupan los accesorios. Si está montando varias luminarias con una separación menor a 50 cm, es posible que desee quitar las lentes ópticas para permitir una mayor superposición de luz de cada luminaria. Para hacer esto, simplemente retire el tapón de goma en cada extremo del extremo de la barra (1.), luego apriete suavemente la base de la lente hacia adentro (2.) para soltarla y tírela con cuidado. Asegúrese de tener cuidado de no causar daños innecesarios a la lente o al revestimiento de resina de los diodos. La lente se puede volver a instalar si es necesario invirtiendo el método de extracción. Si sus dispositivos LED se desmantelan y se vuelven a ensamblar, sus lentes se pueden reinstalar en cualquier barra LED GL+; sin embargo, recomendamos encarecidamente limitar su uso a las barras exteriores únicamente.



## 8. Cuidado y mantenimiento

**PRECAUCIÓN:** Asegúrese siempre de que el dispositivo haya sido desconectado de la alimentación y dejado que se enfríe antes de realizar cualquier limpieza o mantenimiento.

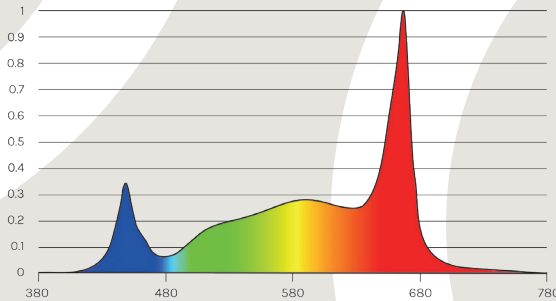
Para garantizar que su nueva luz siga funcionando al máximo, le recomendamos limpiarla periódicamente con un paño suave y húmedo. Tenga especial cuidado al limpiar las barras de LED, ya que frotar demasiado fuerte puede dañar el revestimiento de resina de silicona que protege los diodos. Una lata de aire comprimido también puede ser útil para soplar el polvo del interior de las grietas y hendiduras del dispositivo.

## 9. Especificaciones

- Código de Producto: TGL000
- EAN/GTIN: 9309001188061
- Consumo de Energía: 1000W  $\pm$ 5
- Salida de luz PPF: 3090 $\mu$ mol/s
- Eficacia del accesorio: 3.1 $\mu$ mol/JJ

- Eficacia de los Diodos: hasta 4,35 $\mu$ mol/J
- Área de Cobertura: Mínimo 1,2x1,5 m hasta máximo 1,5x1,8 m
- Gestión Térmica: Refrigeración Pasiva
- Voltaje de Entrada: 180-277 V, 50/60 Hz
- Protección de ingreso: IP66
- Vida útil de las barras LED: +50 000 horas
- Atenuación: 0-10-20-30-40-50-60-70-80-90-100% (con Treegers Precise T Dimmer 0-10V)
- Control Externo: con Treegers Growcast o cualquier Controlador Universal
- Distribución de Luz: 120°
- Dimensiones del Dispositivo: :1442x1090x100mm
- Peso del Dispositivo: 13,50 kg
- Dimensiones del Cartón::1170x440x157mm
- Peso Bruto: 17,25 Kg
- Certificaciones: CE, UKCA, RCM, RoHS, SAA
- Garantía: 5 Años
- Espectro: HybridF+ de espectro completo
- Gráfico del Espectro SQD:

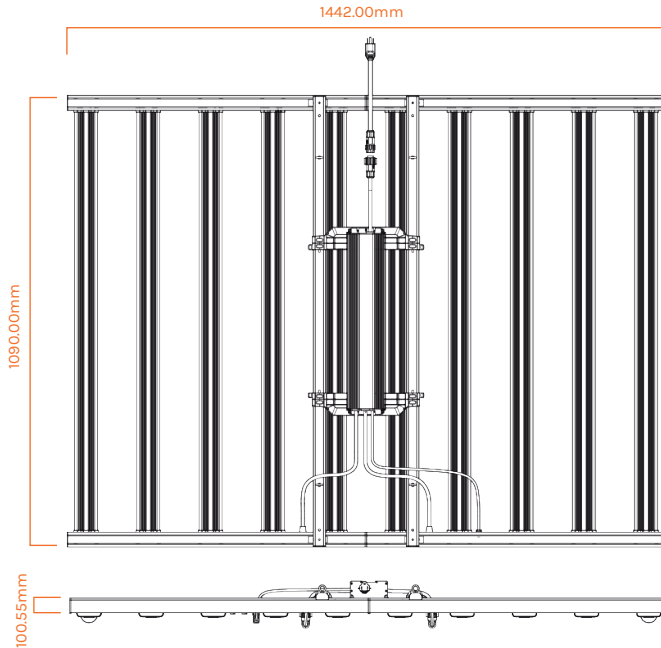
## Full-Spectrum HybridF+ by TREEGERS



### GL1000W+ CORRIENTE MÁXIMA DE ENTRADA

VOLTIOS DE ENTRADA	ATENUACIÓN	POTENCIA DE ENTRADA (W)	CORRIENTE DE ENTRADA (A)
230AC	100%	1009.8W	4.87
240AC	100%	1008.2W	4.68
277AC	100%	1005.2W	4.09

## 10. Dimensiones del accesorio



## 11. Condiciones de funcionamiento

Nuestras luminarias LED GL tienen un índice de entrada de polvo y agua de IP66. Esto significa que son herméticos al polvo y están protegidos contra chorros de agua de alta presión de 12,5 mm; sin embargo, nuestros accesorios han sido diseñados para uso en interiores únicamente y **no deben** operarse al aire libre ni en ambientes húmedos. Nuestros accesorios GL toleran temperaturas ambiente de hasta 45°C, pero recomendamos operar dentro de un rango de entre 20°C y 30°C cuando sea posible, para mantener el máximo rendimiento. La humedad relativa no debe exceder el 90%.

## 12. Cumplimiento

Este producto cumple con los estándares de seguridad eléctrica y compatibilidad electromagnética del Reino Unido, la UE y AS/NZS. También cumple con RoHS y cumple con las obligaciones de la directiva WEEE para las ventas en países europeos.



### 13. Almacenamiento

Cuando no esté en uso, este producto debe limpiarse minuciosamente antes de guardarlo en su embalaje original y mantenerse en un lugar fresco y seco. Siempre inspeccione minuciosamente para detectar cualquier daño antes de volver a ensamblar.

### 14. Desecho

Separar de los residuos domésticos y elegir instalaciones de reciclaje autorizadas para la correcta eliminación de este producto. Alternativamente, utilice puntos de recolección de RAEE autorizados o comuníquese con las autoridades locales de desechos para obtener orientación sobre la eliminación.

### 15. Servicio y Garantía

Respaldamos la calidad de nuestros productos y ofrecemos una **garantía de cinco años** para su **GL650W+** a partir de la fecha de compra.

Utilice el área a continuación para registrar el lugar y la fecha de compra junto con el número de serie de sus accesorios. (ubicado en la parte inferior del marco de las luminarias) Tenga en cuenta que el controlador de LED y cada barra de LED tienen su propio número de serie único para mayor tranquilidad y transparencia.

Lugar de compra: .....

Fecha de compra: .....

Número de serie: .....

Guárdelo en un lugar seguro para consultarlo en el futuro..

### Cobertura de Garantía

La garantía cubre defectos de materiales y mano de obra en condiciones de uso normal, incluido el mal funcionamiento de la lámpara LED, el cable de alimentación o los conectores.

### Exclusiones

La garantía no cubre daños resultantes de una instalación o montaje inadecuado, modificaciones o reparaciones no autorizadas, accidentes, mal uso, negligencia o cualquier uso de accesorios no aprobados. Nuestra garantía no cubre daños a los diodos causados por ambientes con alto contenido de azufre. Se recomienda encarecidamente tener cuidado al utilizar pesticidas y fertilizantes transportados por el aire.

**IMPORTANTE:** La exposición a ambientes con alto contenido de azufre anulará la garantía del accesorio. Se deben tomar medidas preventivas para garantizar que los artefactos de iluminación permanezcan limpios y no estén expuestos a productos que contengan azufre, cloro o bromuro. Por favor contactar [support@treegers.com](mailto:support@treegers.com) si desea obtener más información sobre cómo minimizar el riesgo de vulcanización de diodos debido a entornos con alto contenido de azufre.

## Proceso de Reclamación de Garantía

Si experimenta algún problema cubierto por la garantía, siga estos pasos:

Póngase en contacto con el Soporte al Cliente: Comuníquese con nuestro equipo de soporte al cliente por correo electrónico a [support@treegers.com](mailto:support@treegers.com) para iniciar una reclamación de garantía.

Proporcione Prueba de Compra: Tenga lista su prueba de compra para validar el período de garantía.

Describa el Problema: Describa claramente el problema que está enfrentando y siga las instrucciones proporcionadas por nuestro equipo de soporte.

Proceso de Devolución: Si es necesario, nuestro equipo de soporte lo guiará a través del proceso de devolución. No devuelva productos sin autorización previa.

## Servicio y Reparaciones

Para problemas no cubiertos por la garantía o si el período de garantía ha expirado, cuando sea posible, podemos ofrecer un servicio de reparación. Póngase en contacto con nuestro equipo de soporte al cliente para obtener información sobre tarifas de servicio, instrucciones de envío y cualquier otro detalle relacionado con reparaciones fuera de garantía.

## Soporte al Cliente

Nuestro dedicado equipo de soporte al cliente está disponible para ayudarlo con cualquier pregunta, inquietud o reclamación de garantía. No dude en comunicarse a [support@treegers.com](mailto:support@treegers.com).

## Gracias por elegir Treegers.

Estamos comprometidos a brindarle una excelente experiencia de cultivo.



# Luminaire LED Treegers GL1000W+

## Manuel de l'Utilisateur

### Français

#### Contenu

1. Introduction	28
2. Description du produit	28
3. Qu'y a-t-il dans la boîte	28
4. Accessoires Treegers en option	29
5. Sécurité et avertissements	30
6. Assemblage et fonctionnement	30
7. Lentilles optiques	34
8. Entretien et maintenance	34
9. Caractéristiques	34
10. Dimensions du luminaire	36
11. Des conditions de fonctionnement	36
12. Conformité	36
13. Stockage	37
14. Élimination	37
15. Service et garantie	37

# 1. Introduction

Félicitations pour votre choix de cultiver avec le luminaire **LED Treegers GL1000W+**.

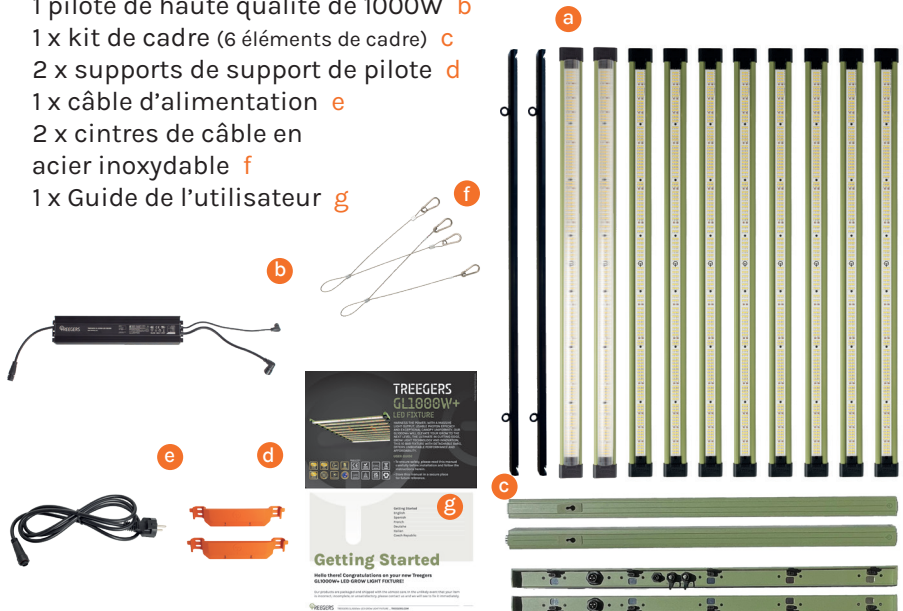
Pour garantir une expérience fluide, nous vous encourageons à lire et à comprendre attentivement ce manuel avant d'utiliser cet appareil. Si, pour une raison quelconque, vous n'êtes pas sûr du processus d'installation, nous vous recommandons fortement de faire effectuer l'installation par un professionnel qualifié.

# 2. Description du produit

La **GL1000W+ LED** est une lampe de culture multilinéaire haute puissance avec une uniformité exceptionnelle et une efficacité de montage allant **jusqu'à 3,1 umol/J**. Il est également équipé du mélange de diodes Treegers Full-Spectrum HybridF+ pour garantir une santé optimale des plantes et des récoltes abondantes. La conception modulaire du **GL1000W+** garantit un entretien et une maintenance rapides tandis que son indice de protection IP66 le protégera contre l'humidité et la poussière.

# 3. Qu'y a-t-il dans la boîte?

- 10 x barres LED haute puissance (2 avec lentilles optiques) **a**
- 1 pilote de haute qualité de 1000W **b**
- 1 x kit de cadre (6 éléments de cadre) **c**
- 2 x supports de support de pilote **d**
- 1 x câble d'alimentation **e**
- 2 x cintres de câble en acier inoxydable **f**
- 1 x Guide de l'utilisateur **g**



## 4. Accessoires Treegers en option

- Treegers Precise T-Dimmer 0-10v (gradation manuelle)  
Code produit: TPTD001



- Kit d'extension de pilote Treegers 1000 W (jeu de câbles de 3 m)  
Code produit: TDEK002



- Contrôleur d'éclairage Treegers Growcast (contrôleur automatique pour jusqu'à 50 appareils) Code produit: TGC0001



- Câble de liaison pour luminaire Treegers de 4 m (à utiliser pour connecter un luminaire à un autre lors du contrôle ou de la gradation de plusieurs luminaires)  
Code produit: TFLK001



- Câble de connexion Treegers Universal RJ-10V 3 broches 4 m (à utiliser pour connecter un contrôleur d'éclairage alternatif nécessitant une connexion RJ)  
Code produit: TUCC001



## 5. Sécurité et avertissements

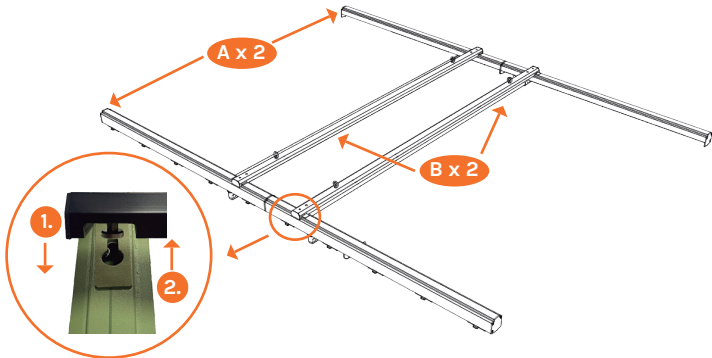
- Assurez le respect des lois et réglementations locales concernant l'utilisation de ce produit.
- Assurez-vous que le luminaire est fermement fixé en place avant de l'utiliser.
- Débranchez toujours l'alimentation avant de déplacer le luminaire.
- Après avoir débranché l'alimentation, laissez l'appareil refroidir avant de toucher une quelconque pièce.
- Ne touchez pas le luminaire lorsqu'il est allumé, car certains composants peuvent être chauds.
- Ne touchez pas les diodes avec vos mains, même lorsque l'appareil est éteint.
- Ne regardez pas directement la source lumineuse.
- Ne travaillez pas sous le luminaire lorsqu'il est en fonctionnement.
- Ne plongez pas le luminaire dans l'eau.
- N'essayez pas d'entretenir ou de réparer le luminaire, y compris les câbles d'alimentation.
- Maintenez une distance d'au moins 5 cm entre tous les objets environnants et le luminaire.
- N'utilisez pas de produits de nettoyage abrasifs pour nettoyer le luminaire.
- N'exposez pas les luminaires à des sources de chaleur excessives.
- N'utilisez pas de luminaires à proximité de substances inflammables.
- Si une partie du luminaire est endommagée, débranchez-le et arrêtez immédiatement son fonctionnement.

## 6. Assemblage et fonctionnement

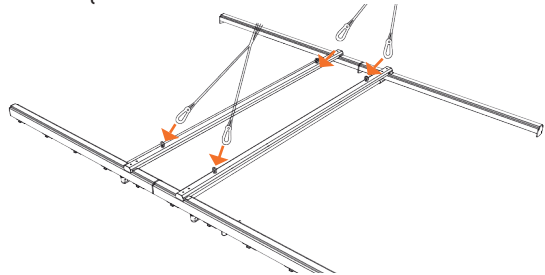
- Retirez tous les éléments de leur emballage et localisez chaque élément requis pour l'assemblage.
- Inspectez soigneusement chaque article pour déceler d'éventuels dommages avant l'assemblage.
- Commencez votre assemblage en assemblant chaque moitié des assemblages de cadre extérieur **1 et 2**.



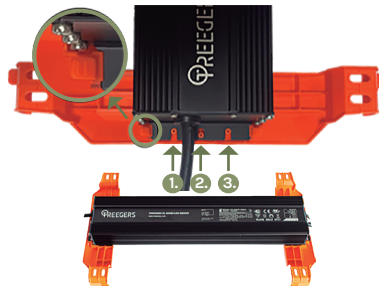
- Commencez votre assemblage en attachant les pièces noires du cadre de support aux deux sections vertes du cadre. Localisez les trous de serrure dans les pièces du cadre extérieur (A) et alignez-les avec les pattes des pièces de support du cadre (B). Appuyez vers le bas (1.) et faites glisser vers l'intérieur (2.) pour fixer. Fixez d'abord les deux extrémités d'une pièce de support de cadre (B) aux deux pièces de cadre extérieures, puis répétez l'opération pour fixer le deuxième support de cadre.



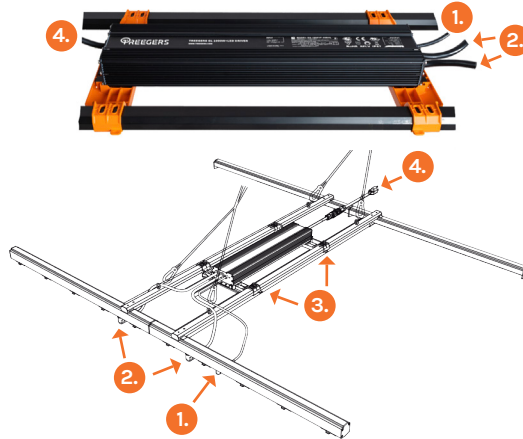
- Une fois l'assemblage du cadre terminé, fixez chaque support de câble aux deux oeillets de suspension comme illustré ci-dessous et suspendez l'unité si nécessaire, en vous assurant que le luminaire est fermement fixé.



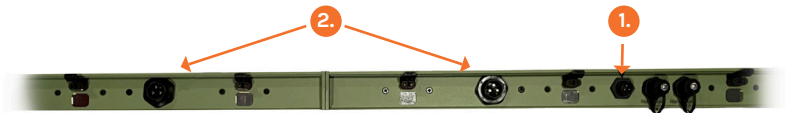
- Localisez et fixez chacun des deux supports de support de pilote orange à chaque extrémité du pilote. Lorsque vous fixez le pilote aux supports, assurez-vous d'aligner les trois broches de positionnement du support avec les trois trous situés sur la plaque de montage, comme indiqué ci-dessous. Portez une attention particulière à la position des têtes de vis, en vous assurant qu'elles reposent dans la section encastrée du support, également illustrée ci-dessous.



- Une fois le pilote fixé à chacun des supports de pilote, fixez le pilote à l'ensemble du cadre (comme indiqué ci-dessous), en cliquant sur les supports de pilote sur les supports du cadre. Chaque support doit être clipsé en place, en faisant attention aux fentes de positionnement. Assurez-vous que le pilote est positionné avec le câble de gradation (1.) et d'alimentation (2.) orienté vers le bon côté pour la fixation au cadre. Une fois en place, le conducteur sera sécurisé avec un petit mouvement dans les fentes de positionnement (3.)



- Connectez les câbles (1 et 2) qui sortent d'une extrémité du pilote au cadre. Les prises correspondantes sont situées sous le côté alimenté du cadre **GL1000W+**. Une fois inséré, l'anneau de verrouillage de chaque prise de câble doit s'enclencher et tourner lorsqu'il est enfoncé fermement. Vous pouvez également connecter le câble d'alimentation (4.) à la prise unique qui sort de l'autre extrémité du pilote. Ne mettez pas encore sous tension.



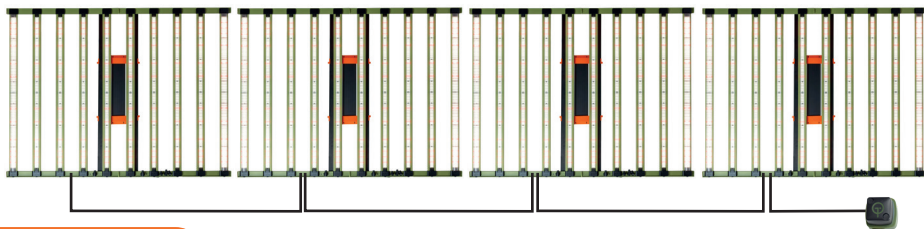
- Une fois le driver fixé et connecté, vous pouvez désormais fixer les barres LED. Le **GL1000+** dispose de deux barres LED équipées de lentilles optiques. Gardez-les de côté pour le montage en dernier. Chaque barre LED est équipée d'un aimant haute résistance à chaque extrémité pour aider à les maintenir en place, avec un crochet à une extrémité (1.) et une prise alimentée à l'autre (2.). Fixez une barre à la fois, en commençant par les barres centrales et terminez en utilisant les deux barres avec lentilles optiques sur les bords extérieurs du luminaire. Insérez l'extrémité crochue de chaque barre dans le trou de positionnement sur le côté non alimenté du cadre LED, puis poussez soigneusement l'autre extrémité de chaque barre en place en cliquant dans son boîtier de prise sur le côté alimenté du cadre LED. Notez la languette à ressort barbelé (3.) qui garantit une fixation sécurisée.





Si vous utilisez un Treegers Precise T-Dimmer ou Treegers Growcast, connectez-le à la prise d'entrée de signal (1.), située sous le cadre **GL1000w+**.

Si vous utilisez plusieurs luminaires et que vous utilisez le Treegers Growcast, connectez chaque lumière à l'aide d'un câble de liaison de luminaire Treegers. Connectez le câble de liaison du luminaire Treegers à la prise de sortie de signal de la première lampe à laquelle le Treegers Growcast est connecté, puis connectez l'autre extrémité du câble de liaison du luminaire à la prise d'entrée de signal de la deuxième lumière. Répétez cette étape pour connecter la deuxième lumière à la troisième lumière et ainsi de suite. Jusqu'à 50 appareils peuvent être liés à un contrôleur Growcast.



FRANÇAIS

## Précautions

- Assurez-vous que votre alimentation est sûre et adaptée à votre usage avant de connecter votre lampe de culture **GL1000W+** à votre alimentation.
- Lorsque vous suspendez ou montez votre luminaire **GL1000W+**, assurez-vous qu'il est fermement fixé et sécurisé avant de l'allumer.
- Assurez-vous que le système de montage peut supporter le poids du luminaire avant de l'allumer.
- Notre luminaire **GL1000W+** est conçu avec des barres LED amovibles. Toutes les barres doivent être installées avant de fonctionner. Si une barre doit être retirée pour entretien, nous vous recommandons de la remplacer dès que possible, car une utilisation prolongée avec des barres manquantes n'est pas recommandée. Si moins de lumière est nécessaire, nous vous recommandons d'installer un Treegers Precise T-Dimmer ou un Treegers Growcast pour réduire le rendement lumineux des luminaires.

Si toutes les précautions ont été prises, votre LED peut désormais être allumée.

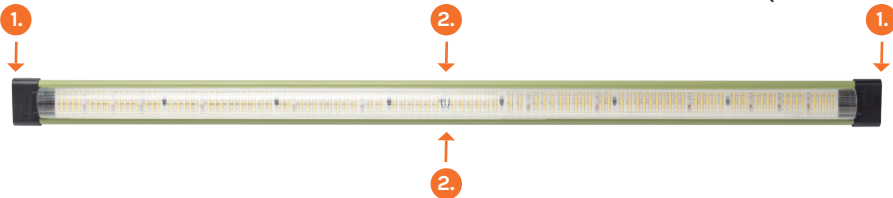


Pour plus de conseils sur la façon de tirer le meilleur parti de votre nouveau luminaire LED Treegers **GL1000W+**, explorez nos tactiques de culture d'éclairage ici.



## 7. Lentilles optiques

Le **GL1000W+** est équipé de deux lentilles optiques amovibles. Ces lentilles ont été conçues pour réduire et intensifier la dispersion de la lumière émise. Ils sont utilisés sur les barres extérieures de nos luminaires GL+ pour augmenter l'uniformité sur l'ensemble de l'empreinte des luminaires. Si vous montez plusieurs luminaires espacés de moins de 50 cm, vous souhaitez peut-être retirer les lentilles optiques pour permettre un plus grand chevauchement de la lumière de chaque luminaire. Pour ce faire, retirez simplement le bouchon en caoutchouc à chaque extrémité de l'extrémité de la barre (1.), puis pressez doucement la base de l'objectif vers l'intérieur (2.) pour la déclipser et retirez-la délicatement. Assurez-vous de ne pas endommager inutilement la lentille ou le revêtement de résine des diodes. L'objectif peut être réinstallé si nécessaire en inversant la méthode de retrait. Si vos luminaires LED sont démontés et remontés, vos lentilles peuvent être réinstallées sur n'importe quelle barre LED GL+, cependant nous vous recommandons fortement de limiter leur utilisation aux barres extérieures uniquement.



## 8. Entretien et maintenance

**ATTENTION:** Assurez-vous toujours que l'appareil a été débranché de l'alimentation électrique et laissé refroidir avant d'effectuer tout nettoyage ou entretien.

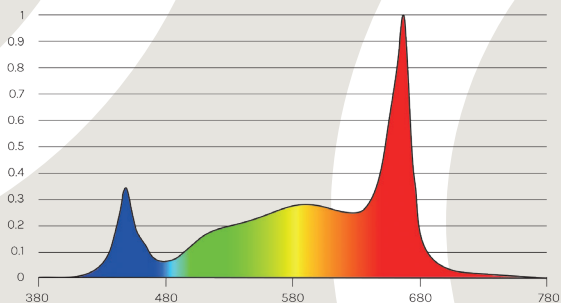
Pour garantir que votre nouveau luminaire continue de fonctionner de manière optimale, nous vous recommandons de nettoyer régulièrement votre luminaire avec un chiffon doux et humide. Soyez extrêmement prudent lorsque vous nettoyez vos barres LED. Un frottement trop fort peut endommager le revêtement en résine de silicone qui protège les diodes. Une bombe d'air comprimé peut également être utile pour souffler la poussière des fissures et des crevasses du luminaire.

## 9. Caractéristiques

- Code produit: TGL0004
- EAN/GTIN: 9309001188061
- Consommation électrique: 1 000 W  $\pm$  5 %
- Rendement lumineux PPF: 3090 $\mu$ mol/s
- Efficacité du luminaire: 3,1 $\mu$ mol/J

- Efficacité des diodes: jusqu'à 4,35 $\mu$ mol/J
- Zone de couverture: minimum 1,2 x 1,5 m jusqu'à maximum 1,5 x 1,8 m
- Gestion thermique: Refroidissement Passif
- Tension d'entrée: 180-277 V, 50/60 Hz
- Protection contre la pénétration: IP66
- Durée de vie: +50 000Hrs
- Gradation: 0-10-20-30-40-50-60-70-80-90-100% (avec variateur Treegers Precise T 0-10 V)
- Contrôle externe: avec Treegers Growcast ou tout contrôleur universel
- Répartition de la lumière: 120°
- Dimensions du luminaire: 1442x1090x100mm
- Poids du luminaire: 13,50 kg
- Dimensions du carton: 1170x440x157mm
- Poids brut: 17,25 Kg
- Certifications: CE, UKCA, RCM, RoHS, SAA
- Garantie: 5 ans
- Spectre : HybridF+ à spectre complet
- Graphique du spectre SQD:

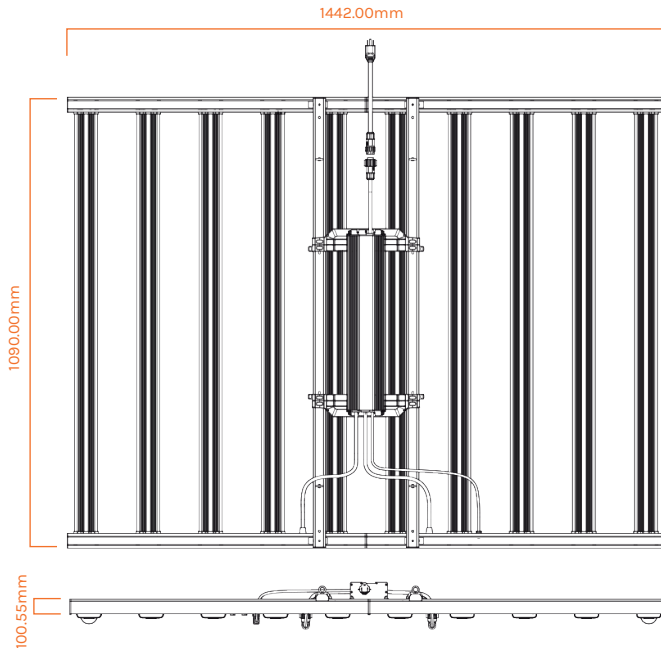
## Full-Spectrum HybridF+ by TREEGERS



### GL1000W+ COURANT D'ENTRÉE MAXIMUM

VOLT D'ENTRÉE	ATTÉNUATION	PUISSANCE D'ENTRÉE(W)	COURANT D'ENTRÉE(A)
230AC	100%	1009.8W	4.87
240AC	100%	1008.2W	4.68
277AC	100%	1005.2W	4.09

## 10. Dimensions du luminaire



## 11. Des conditions de fonctionnement

Nos luminaires GL LED ont un indice de pénétration de la poussière et de l'eau IP66. Cela signifie qu'ils sont étanches à la poussière et protégés contre les jets d'eau haute pression de 12,5 mm. Cependant, nos luminaires ont été conçus pour une utilisation en intérieur uniquement **et ne doivent pas** être utilisés à l'extérieur ou dans des environnements humides. Nos luminaires GL tolèrent des températures ambiantes allant jusqu'à 45°C, mais nous recommandons un fonctionnement dans une plage comprise entre 20°C et 30°C lorsque cela est possible, pour maintenir des performances optimales. L'humidité relative ne doit pas dépasser 90%.

## 12. Conformité

Ce produit répond aux normes de sécurité électrique et de compatibilité électromagnétique du Royaume-Uni, de l'UE et AS/NZS. Il est également conforme RoHS et adhère aux obligations de la directive DEEE pour les ventes dans les pays européens.

## 13. Stockage

Lorsqu'il n'est pas utilisé, ce produit doit être soigneusement nettoyé avant de le ranger dans son emballage d'origine et conservé dans un endroit frais et sec. Inspectez toujours minutieusement tout dommage avant le remontage.

## 14. Élimination

Séparez-le des déchets ménagers et choisissez des installations de recyclage agréées pour une élimination correcte de ce produit. Vous pouvez également utiliser des points de collecte DEEE agréés ou contacter les autorités locales chargées des déchets pour obtenir des conseils sur l'élimination.

## 15. Service et garantie

Nous garantissons la qualité de nos produits et offrons une **garantie de cinq ans** sur votre **GL1000W+** à compter de la date d'achat.

Veuillez utiliser la zone ci-dessous pour enregistrer le lieu et la date d'achat ainsi que le numéro de série de votre luminaire. (situé sous le cadre du luminaire) Veuillez noter que le pilote LED et chaque barre LED ont son propre numéro de série unique pour plus de tranquillité d'esprit et de transparence.

Lieu d'achat: .....

Date d'achat: .....

Numéro de série: .....

Veuillez le conserver dans un endroit sûr pour référence future.

### Couverture de la garantie

La garantie couvre les défauts de matériaux et de fabrication dans des conditions normales d'utilisation, y compris les dysfonctionnements du luminaire LED, du câble d'alimentation ou des connecteurs.

### Exclusions

La garantie ne couvre pas les dommages résultant d'une mauvaise installation ou d'un assemblage, de modifications ou réparations non autorisées, d'accidents, d'une mauvaise utilisation, d'une négligence ou de toute utilisation d'accessoires non approuvés. Notre garantie ne couvre pas les dommages aux diodes causés par des environnements à haute teneur en soufre. Il est fortement recommandé de faire preuve de prudence lors de l'utilisation de pesticides et d'engrais en suspension

dans l'air. **IMPORTANT:** L'exposition à des environnements à haute teneur en soufre annulera la garantie du luminaire. Des mesures préventives doivent être prises pour garantir que les luminaires restent propres et ne sont pas exposés à des produits contenant du soufre, du chlore ou du bromure. S'il vous plaît contactez [support@treegers.com](mailto:support@treegers.com) si vous souhaitez plus d'informations sur la manière de minimiser le risque de vulcanisation des diodes dû aux environnements à haute teneur en soufre.

## Processus de réclamation sous garantie

Si vous rencontrez des problèmes couverts par la garantie, veuillez suivre ces étapes:

Contactez l'assistance clientèle: Contactez notre équipe de support client par e-mail à [support@treegers.com](mailto:support@treegers.com) pour lancer une réclamation au titre de la garantie. Fournir une preuve d'achat: Préparez votre preuve d'achat pour valider la période de garantie.

Décrivez le problème: Décrivez clairement le problème auquel vous êtes confronté et suivez les instructions fournies par notre équipe d'assistance.

Processus de retour: Si nécessaire, notre équipe d'assistance vous guidera tout au long du processus de retour. Ne retournez pas de produits sans autorisation préalable.

## Service et réparations

Pour les problèmes non couverts par la garantie ou si la période de garantie a expiré, lorsque cela est possible, nous pouvons proposer un service de réparation. Contactez notre équipe de support client pour obtenir des informations sur les frais de service, les instructions d'expédition et tout autre détail lié aux réparations hors garantie.

## Service client

Notre équipe de support client dédiée est disponible pour vous aider pour toute question, préoccupation ou réclamation de garantie. N'hésitez pas à nous contacter à [support@treegers.com](mailto:support@treegers.com).

## Merci d'avoir choisi Treegers.

Nous nous engageons à vous offrir une excellente expérience de croissance.



# Treegers GL1000W+ LED-Leuchte

## Benutzerhandbuch

### Deutsche

#### Inhalt

1. Einführung	40
2. Produktbeschreibung	40
3. Was ist in der Box	40
4. Optionales Treegers-Zubehör	41
5. Sicherheit und Warnungen	42
6. Montage und Betrieb	42
7. Optische Linsen	46
8. Pflege und Wartung	46
9. Spezifikationen	46
10. Geräteabmessungen	48
11. Betriebsbedingungen	48
12. Einhaltung	48
13. Lagerung	49
14. Entsorgung	49
15. Service und Garantie	49

# 1. Einführung

Herzlichen Glückwunsch zu Ihrer Entscheidung, mit der **Treegers GL1000W+ LED-Leuchte** zu kultivieren.

Um ein reibungsloses Erlebnis zu gewährleisten, empfehlen wir Ihnen, dieses Handbuch gründlich durchzulesen und zu verstehen, bevor Sie dieses Gerät in Betrieb nehmen. Sollten Sie sich aus irgendeinem Grund bezüglich des Installationsprozesses nicht sicher sein, empfehlen wir dringend, die Installation von einem qualifizierten Fachmann durchführen zu lassen.

## 2. Produktbeschreibung

Die **GL1000W+** LED ist eine leistungsstarke, multilineare Wachstumsleuchte mit hervorragender Gleichmäßigkeit und einer Leuchteneffizienz von bis zu **3,1  $\mu\text{mol}/\text{J}$** . Es ist außerdem mit der Full-Spectrum-Hybrid F+-Dioden Mischung von Treegers ausgestattet, um eine optimale Pflanzengesundheit und hohe Ernten zu gewährleisten. Der modulare Aufbau des **GL1000W+** gewährleistet eine schnelle Wartung und Instandhaltung, während die IP-Schutzart IP66 vor Feuchtigkeit und Staub schützt.

## 3. Was ist in der Box?

- 10 x Hochleistungs-LED-Leisten (2 mit optischen Linsen) **a**
- 1 x 1000W hochwertiger Treiber **b**
- 1 x Rahmenset (6 Rahmenteile) **c**
- 2 x Fahrersitz Halterung **d**
- 1 x Stromkabel **e**
- 2 x Edelstahl-Kabelaufhänger **f**
- 1 x Benutzerhandbuch **g**





## 4. Optionales Treegers-Zubehör

- Treegers Precise T-Dimmer 0-10V (manuelles dimmen)  
Produktcode: TPTD001



- Treegers 1000-W-Treiber-Erweiterungskit (3 m Kabelsatz)  
Produktcode: TDEK002



- Treegers Growcast Lighting Controller (automatische Steuerung für bis zu 50 Geräte)  
Produktcode: TGC001



- Treegers Fixture Link-Kabel 4 m (zum Verbinden eines Geräts mit einem anderen beim Steuern oder Dimmen mehrerer Geräte) Produktcode: TFLK001



- Treegers Universal RJ-10V 3-poliges Verbindungskabel 4 m (zur Verbindung alternativer Beleuchtungssteuerungen verwenden, die eine RJ-Verbindung erfordern)  
Produktcode: TUCC001



## 5. Sicherheit und Warnungen

- Stellen Sie sicher, dass Sie bei der Verwendung dieses Produkts die örtlichen Gesetze und Vorschriften einhalten.
- Stellen Sie vor dem Betrieb sicher, dass die Leuchte fest befestigt ist.
- Trennen Sie immer die Stromversorgung, bevor Sie die Leuchte bewegen.
- Lassen Sie das Gerät nach dem Trennen der Stromversorgung abkühlen, bevor Sie Teile berühren.
- Berühren Sie die eingeschaltete Leuchte nicht, da einige Komponenten beschädigt sind Vielleicht Heiß.
- Berühren Sie die Dioden auch bei ausgeschaltetem Gerät nicht mit den Händen.
- Schauen Sie nicht direkt in die Lichtquelle.
- Arbeiten Sie nicht unter der Leuchte, während diese in Betrieb ist.
- Tauchen Sie die Leuchte nicht in Wasser.
- Versuchen Sie nicht, die Leuchte einschließlich der Stromkabel zu warten oder zu reparieren.
- Halten Sie einen Abstand von mindestens 5 cm zu allen umliegenden Gegenständen zur Leuchte ein.
- Verwenden Sie zum Reinigen der Leuchte keine scheuernden Reinigungsmittel.
- Setzen Sie Leuchten keinen übermäßigen Wärmequellen aus.
- Betreiben Sie Leuchten nicht in der Nähe von brennbaren Stoffen.
- Wenn ein Teil der Leuchte beschädigt wird, trennen Sie die Leuchte sofort vom Stromnetz und stellen Sie den Betrieb ein.

## 6. Montage und Betrieb

- Nehmen Sie alle Artikel aus der Verpackung und suchen Sie alle für den Zusammenbau erforderlichen Artikel heraus.
- Untersuchen Sie jeden Artikel vor dem Zusammenbau gründlich auf mögliche Schäden.
- Beginnen Sie mit der Montage, indem Sie jede Hälfte der äußeren Rahmen Baugruppen **1** und **2** zusammenfügen.

1.

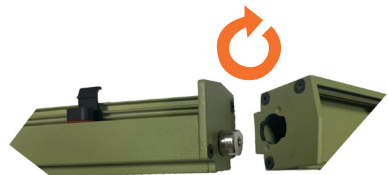


1.

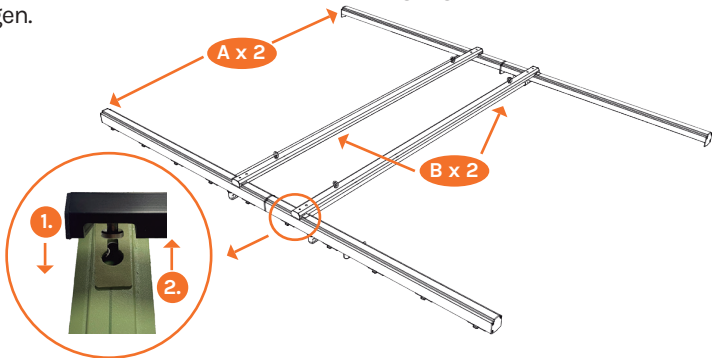
2.



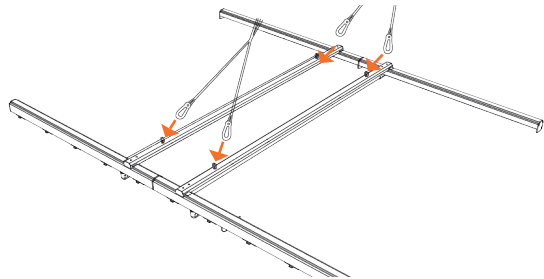
2.



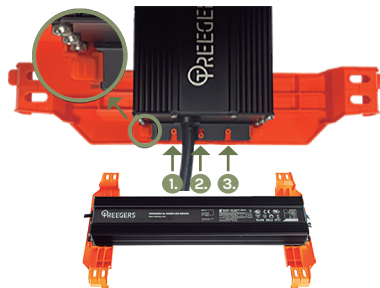
- Beginnen Sie mit der Montage, indem Sie die schwarzen Stützrahmen Teile an den beiden grünen Rahmen Abschnitten befestigen. Suchen Sie die Schlüssellocher in den äußeren Rahmenteilen (A) und richten Sie sie an den Nasen in den Rahmentstützteilen (B) aus. Zum Sichern nach unten drücken (1.) und nach innen schieben (2.). Befestigen Sie zuerst beide Enden eines Rahmenstützteils (B) an beiden äußeren Rahmenteilen und wiederholen Sie dann den Vorgang, um die zweite Rahmenstütze anzubringen.



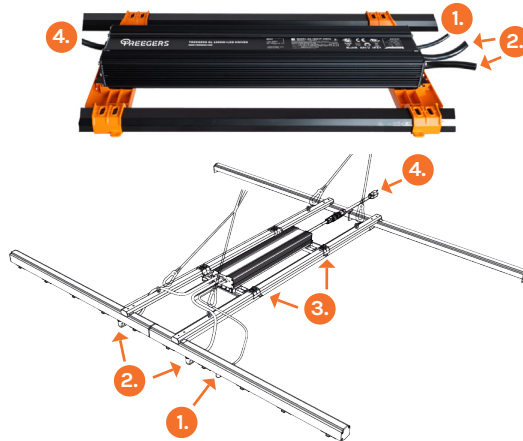
- Sobald die Rahmenmontage abgeschlossen ist, befestigen Sie jeden Kabelhalter wie unten abgebildet an beiden Aufhängenösen und hängen Sie das Gerät an den erforderlichen Stellen auf. Stellen Sie dabei sicher, dass die Halterung fest befestigt ist.



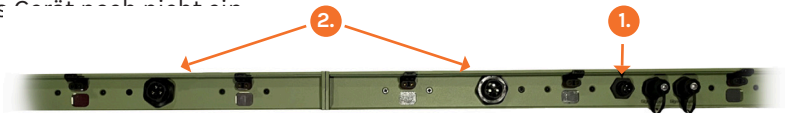
- Suchen Sie die beiden orangefarbenen Treiber Halterungen und befestigen Sie sie an beiden Enden des Treibers. Achten Sie beim Anbringen des Treibers an den Halterungen darauf, die drei Positionierungsstifte an der Halterung an den drei Löchern in der Montageplatte auszurichten, wie unten gezeigt. Achten Sie genau auf die Position der Schraubenköpfe und stellen Sie sicher, dass sie in der Aussparung der Halterung liegen (siehe Abbildung unten).



- Sobald der Treiber an jeder Treiber Halterung befestigt ist, befestigen Sie ihn an der Rahmen-Baugruppe (wie unten gezeigt), indem Sie die Treiber Halterungen auf die Rahmenstützen einrasten lassen. Jede Halterung sollte eingerastet werden, wobei auf die Positionierung der Schlitzte zu achten ist. Stellen Sie sicher, dass der Treiber so positioniert ist, dass das Dimm- (1.) und das Stromkabel (2.) zur richtigen Seite für die Befestigung am Rahmen zeigen. Sobald der Treiber angebracht ist, wird er mit einer kleinen Bewegung in den Positionierungsschlitz (3) gesichert.



- Verbinden Sie die drei Kabel, die an einem Ende des Treibers austreten, mit dem Rahmen. Die entsprechenden Buchsen befinden sich an der Unterseite der Stromversorgung Seite des **GL1000W+**-Rahmens. Beim Einsetzen sollte die Ringe Verriegelung jeder Kabelbuchse einrasten und sich drehen, wenn sie fest hineingedrückt wird. Sie können das Netzkabel (4.) auch an die einzelne Buchse anschließen, die am anderen Ende des Treibers austritt. Schalten Sie das Gerät nach nicht ein.

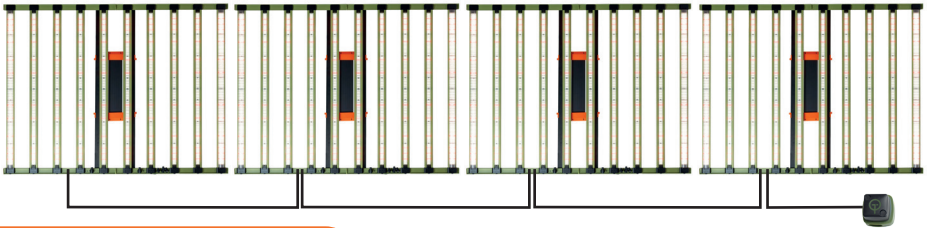


- Sobald der Treiber angebracht und angeschlossen ist, können Sie nun die LED-Leisten anbringen. Der **GL1000W+** verfügt über zwei LED-Leisten, die mit optischen Linsen ausgestattet sind. Bewahren Sie diese für den letzten Einbau beiseite. Jede LED-Leiste ist an beiden Enden mit einem hochfesten Magneten ausgestattet, um sie an Ort und Stelle zu halten, mit einem Haken an einem Ende (1.) und einer Steckdose am anderen Ende (2.). Befestigen Sie jeweils eine Leiste, beginnend mit der mittleren Leiste und schließen Sie mit den beiden Leisten mit optischen Linsen an den Außenkanten der Leuchte ab. Führen Sie das Hakenende jeder Leiste in das Positionierungsloch auf der nicht mit Strom versorgten Seite des LED-Rahmens ein und drücken Sie dann das andere Ende jeder Leiste vorsichtig in Position, indem Sie es in das Führungsgehäuse auf der mit Strom versorgten Seite des LED-Rahmens einrasten lassen. Achten Sie auf die gezackte Federlasche (3.), die für eine sichere Befestigung sorgt.



Wenn Sie einen Treegers Precise T-Dimmer oder Treegers Growcast verwenden, schließen Sie ihn an die Signal Eingangsbuchse (1.) an der Unterseite des **GL1000W+**-Rahmens an.

Wenn Sie mehrere Leuchten betreiben und den Treegers Growcast verwenden, verbinden Sie jede Leuchte mit einem Treegers Fixture Link-Kabel. Verbinden Sie das Treegers Fixture Link-Kabel mit der Signal Eingangsbuchse der ersten Leuchte, an die der Treegers Growcast angeschlossen ist, und verbinden Sie dann das andere Ende des Fixture Link-Kabels mit der Signal Eingangsbuchse der zweiten Leuchte. Wiederholen Sie diesen Schritt, um die zweite Leuchte mit der dritten Leuchte zu verbinden usw. Bis zu 50 Geräte können mit einem Growcast-Controller verbunden werden.



## Vorsichtsmaßnahmen

- Stellen Sie sicher, dass Ihre Stromversorgung sicher und zweckdienlich ist, bevor Sie Ihre **GL1000W+**-Wachstumslampe an Ihre Stromversorgung anschließen.
- Stellen Sie beim Aufhängen oder Montieren Ihrer **GL1000W+**-Leuchte sicher, dass sie fest angebracht und gesichert ist, bevor Sie sie einschalten.
- Stellen Sie sicher, dass das Montagesystem das Gewicht der Leuchte tragen kann, bevor Sie sie einschalten.
- Unsere **GL1000W+**-Leuchte ist mit abnehmbaren LED-Leisten ausgestattet. Alle Stangen müssen vor dem Betrieb installiert werden. Wenn eine Stange zu Wartungszwecken entfernt werden muss, empfehlen wir, sie so schnell wie möglich auszutauschen, da eine längere Verwendung mit fehlenden Stangen nicht empfohlen wird. Wenn weniger Licht benötigt wird, empfehlen wir die Installation eines Treegers Precise T-Dimmers oder Treegers Growcasts, um die Gesamtlichtleistung der Leuchte zu reduzieren.

Wenn alle Vorkehrungen getroffen wurden, kann Ihre LED nun eingeschaltet werden.

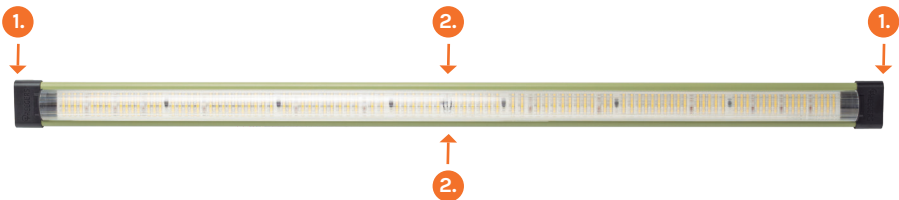


Weitere Anleitungen, wie Sie das Beste aus Ihrer neuen Treegers **GL1000W+** LED-Leuchte herausholen können, finden Sie hier in unseren Wachstumslicht-Taktiken.



## 7. Optische Linsen

Der **GL1000W+** ist mit zwei abnehmbaren optischen Linsen ausgestattet. Diese Linsen wurden entwickelt, um die Streuung des emittierten Lichts zu verengen und zu intensivieren. Sie werden an den Seitenstangen unserer GL+-Leuchten verwendet, um die Einheitlichkeit über die Grundfläche der Leuchten zu erhöhen. Wenn Sie mehrere Leuchten mit einem Abstand von weniger als 50 cm montieren, möchten Sie möglicherweise die optischen Linsen entfernen, um eine größere Licht Überlappung von jeder Leuchte zu ermöglichen. Entfernen Sie dazu einfach die Gummistopfen an beiden Enden der Stange (1.), drücken Sie dann die Basis der Linse vorsichtig nach innen (2.), um sie zu lösen, und ziehen Sie sie vorsichtig heraus. Achten Sie darauf, dass die Linse oder die Harzbeschichtung der Dioden nicht unnötig beschädigt werden. Das Objektiv kann bei Bedarf in umgekehrter Reihenfolge wieder eingebaut werden. Wenn Ihre LED-Leuchten demontiert und wieder zusammengebaut werden, können Ihre Linsen an jeder GL+ LED-Leiste wieder installiert werden. Wir empfehlen jedoch dringend, ihre Verwendung nur auf die äußeren Leisten zu beschränken.



## 8. Pflege und Wartung

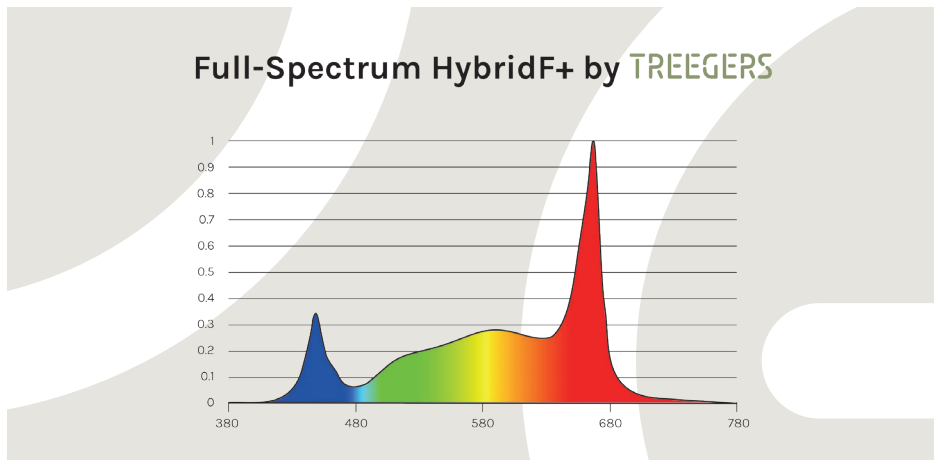
**ACHTUNG:** Stellen Sie immer sicher, dass das Gerät vom Stromnetz getrennt ist und abkühlen kann, bevor Sie Reinigungs- oder Wartungsarbeiten durchführen.

Um sicherzustellen, dass Ihre neue Leuchte weiterhin die beste Leistung erbringt, empfehlen wir Ihnen, Ihre Leuchte regelmäßig mit einem weichen, feuchten Tuch zu reinigen. Seien Sie beim Reinigen Ihrer LED-Leisten besonders vorsichtig, da zu starkes Schrubben zu Schäden an der Silikonharzbeschichtung führen kann, die die Dioden schützt. Eine Dose Druckluft kann auch nützlich sein, um Staub aus Ritzen und Spalten des Geräts zu blasen.

## 9. Spezifikationen

- Produktcode: TGL0004
- EAN/GTIN: 9309001188061
- Stromverbrauch: 1000 W  $\pm$  5 %
- Lichtleistung PPF: 3090  $\mu$ mol/S

- Wirksamkeit der Vorrichtung: 3.1 $\mu$ mol/J
- Wirksamkeit der Dioden: Bis zu 4,35 $\mu$ mol/J
- Abdeckungsbereich: Mindestens 1,2 x 1,5 m bis maximal 1,5 x 1,8 m
- Wärmemanagement: Passive Kühlung
- Eingangsspannung: 180-277V, 50/60 Hz
- Schutzart: IP66
- Lebensdauer der LED-Leisten: +50.000 Stunden
- Dimmen: 0-10-20-30-40-50-60-70-80-90-100 % (mit Treegers Precise T Dimmer 0-10 V)
- Externe Steuerung: mit Treegers Growcast oder einem beliebigen Universal Controller
- Lichtverteilung: 120°
- Abmessungen der Vorrichtung: 1442x1090x100 mm
- Gewicht der Vorrichtung: 13,50 kg
- Kartonabmessungen: 1170x440x157 mm
- Bruttogewicht: 17,25 kg
- Zertifizierungen: CE, UKCA, RCM, RoHS, SAA
- Garantie: 5 Jahre
- Spektrum: Vollspektrum-HybridF+
- SQD-Spektrumdiagramm:

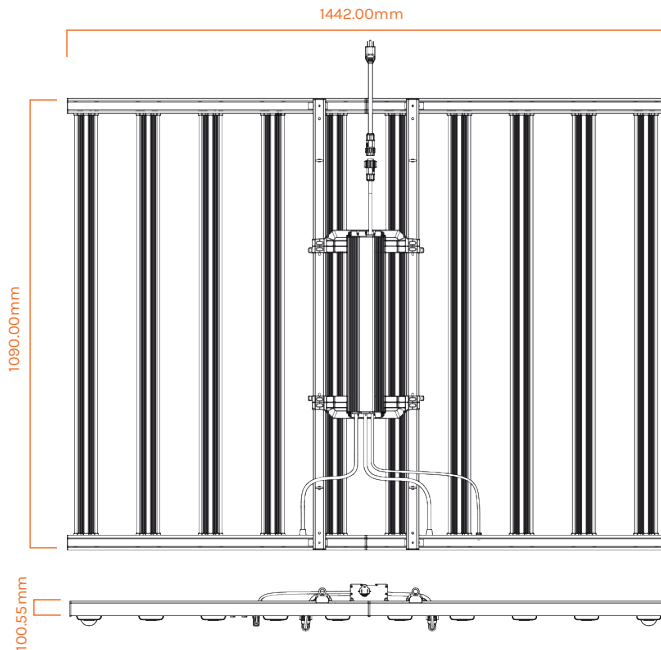


DEUTSHE

**GL1000W+ MAXIMALER EINGANGSSTROM**

EINGANGSSPANNUNG	DIMMEN	EINGANGSLEISTUNG(W)	EINGANGSSTROM(A)
230AC	100%	1009.8W	4.87
240AC	100%	1008.2W	4.68
277AC	100%	1005.2W	4.09

## 10. Geräteabmessungen



## 11. Betriebsbedingungen

Unsere GL-LED-Leuchten haben eine Staub- und Wasserschutzklasse von IP66. Dies bedeutet, dass sie staubdicht und gegen 12,5-mm-Hochdruckwasserstrahlen geschützt sind. Unsere Leuchten wurden jedoch nur für die Verwendung in Innenräumen entwickelt und sollten nicht im Freien oder in feuchten Umgebungen betrieben werden. Unsere GL-Leuchten vertragen Umgebungstemperaturen von bis zu 45°C, wir empfehlen jedoch den Betrieb möglichst in einem Bereich zwischen 20°C und 30°C um die Spitzenleistung aufrechtzuerhalten. Die relative Luftfeuchtigkeit sollte 90 % nicht überschreiten.

## 12. Compliance

Dieses Produkt erfüllt die Standards für elektrische Sicherheit und elektromagnetische Verträglichkeit in Großbritannien, der EU und AS/NZS. Es ist außerdem RoHS-konform und erfüllt die Verpflichtungen der WEEE-Richtlinie für den Verkauf in europäischen Ländern.



## 13. Lagerung

Bei Nichtgebrauch sollte dieses Produkt gründlich gereinigt werden, bevor es in der Originalverpackung aufbewahrt und an einem kühlen, trockenen Ort aufbewahrt wird. Vor dem Zusammenbau immer gründlich auf etwaige Schäden prüfen.

## 14. Entsorgung

Trennen Sie es vom Hausmüll und wählen Sie autorisierte Recycling Einrichtungen für die ordnungsgemäße Entsorgung dieses Produkts. Alternativ können Sie autorisierte WEEE-Sammelstellen nutzen oder sich für Entsorgungshinweise an die örtlichen Abfallbehörden wenden.

## 15. Service und Garantie

Wir stehen hinter der Qualität unserer Produkte und bieten **eine fünfjährige Garantie** auf Ihren **GL1000W+** ab Kaufdatum.

Bitte nutzen Sie den Bereich unten, um den Ort und das Kaufdatum sowie die Seriennummer Ihres Geräts einzutragen. (befindet sich an der Unterseite des Leuchtenrahmens) Bitte beachten Sie, dass der LED-Treiber und jede LED-Leiste zur Sicherheit und Transparenz über eine eigene, eindeutige Seriennummer verfügen.

Ort des Kaufs: .....

Kaufdatum: .....

Seriennummer: .....

Bitte bewahren Sie dies zum späteren Nachschlagen an einem sicheren Ort auf.

### Garantieabdeckung

Die Garantie deckt Material- und Verarbeitungsfehler bei normalem Gebrauch ab, einschließlich Fehlfunktionen der LED-Leuchte, des Stromkabels oder der Anschlüsse.

### Ausschlüsse

Die Garantie deckt keine Schäden ab, die auf unsachgemäße Installation oder Montage, unbefugte Änderungen oder Reparaturen, Unfälle, Missbrauch, Fahrlässigkeit oder die Verwendung von nicht zugelassenem Zubehör zurückzuführen sind. Unsere Garantie deckt keine Schäden an Dioden ab, die durch Umgebungen mit hohem Schwefelgehalt verursacht werden. Es wird dringend empfohlen, bei der Verwendung von Pestiziden und Düngemitteln in der Luft vorsichtig zu sein.

**WICHTIG:** Wenn Sie das Gerät einer Umgebung mit hohem Schwefelgehalt aussetzen, erlischt die Garantie für das Gerät. Es müssen vorbeugende Maßnahmen ergriffen werden, um sicherzustellen, dass die Beleuchtungskörper sauber bleiben und keinen Produkten ausgesetzt werden, die Schwefel, Chlor oder Bromid enthalten. Kontaktieren Sie bitte [support@treegers.com](mailto:support@treegers.com) wenn Sie weitere Informationen darüber wünschen, wie Sie das Risiko einer Diodenvulkanisation aufgrund von Umgebungen mit hohem Schwefelgehalt minimieren können.

## Garantieanspruchsprozess

Wenn bei Ihnen Probleme auftreten, die unter die Garantie fallen, befolgen Sie bitte diese Schritte:

Kontaktiere den Kundenservice: Wenden Sie sich per E-Mail an [support@treegers.com](mailto:support@treegers.com) an unser Kundensupport-Team, um einen Garantieanspruch einzureichen.

Legen Sie einen Kaufbeleg vor: Halten Sie Ihren Kaufbeleg bereit, um die Garantiezeit zu bestätigen.

Beschreibe das Problem: Beschreiben Sie klar und deutlich das Problem, mit dem Sie konfrontiert sind, und befolgen Sie die Anweisungen unseres Support-Teams.

Rückgabeprozess: Bei Bedarf begleitet Sie unser Support-Team durch den Rückgabeprozess. Geben Sie Produkte nicht ohne vorherige Genehmigung zurück.

## Service und Reparaturen

Bei Problemen, die nicht durch die Garantie abgedeckt sind oder wenn die Garantiezeit abgelaufen ist, können wir nach Möglichkeit einen Reparaturservice anbieten. Wenden Sie sich an unser Kundendienstteam, um Informationen zu Servicegebühren, Versandanweisungen und anderen Details zu Reparaturen außerhalb der Garantie zu erhalten.

## Kundendienst

Unser engagiertes Kundensupport-Team steht Ihnen bei Fragen, Bedenken oder Garantieansprüchen zur Verfügung. Melden Sie sich gerne unter [support@treegers.com](mailto:support@treegers.com).

# Vielen Dank, dass Sie sich für Treegers entschieden haben.

Wir sind bestrebt, Ihnen ein hervorragendes Wachstumserlebnis zu bieten.



# Apparecchio LED Treegers GL1000W+

## Guida utente

### Italiano

#### Contenuti

1. Introduzione	52
2. Descrizione del prodotto	52
3. Cosa c'è nella scatola	52
4. Accessori opzionali per Treegers	53
5. Sicurezza e avvertenze	54
6. Assemblaggio e funzionamento	54
7. Lenti ottiche	58
8. Cura e manutenzione	58
9. Specifiche	58
10. Dimensioni dell'apparecchio	60
11. Condizioni operative	60
12. Conformità	60
13. Magazzinaggio	61
14. Disposizione	61
15. Assistenza e Garanzia	61

# 1. Introduction

Congratulazioni per aver scelto di coltivare con l'apparecchio LED Treegers GL1000W+.

Per garantire un'esperienza senza interruzioni, ti invitiamo a rivedere e comprendere attentamente questa guida prima di utilizzare questo dispositivo. Se per qualsiasi motivo non sei sicuro del processo di installazione, ti consigliamo vivamente di far eseguire l'installazione da un professionista qualificato.

# 2. Descrizione del prodotto

Il LED GL1000W+ una lampada da coltivazione multilineare ad alta potenza con eccezionale uniformità e un'efficacia dell'apparecchio **fino a 3,1 umol/J**. È inoltre dotato della miscela di diodi Treegers Full-Spectrum HybridF+ per garantire una salute ottimale delle piante e raccolti abbondanti. Il design modulare del **GL1000W+** garantisce assistenza e manutenzione rapide, mentre il suo grado di protezione IP66 lo protegge da umidità e polvere.

# 3. Cosa c'è nella scatola?

- 10 barre LED ad alta potenza (2 con lenti ottiche) **a**
- 1 driver di alta qualità da 1000W **b**
- 1 kit telaio (6 articoli telaio) **c**
- 2 staffe di supporto per conduttore **d**
- 1 cavo di alimentazione **e**
- 2 ganci per cavi in acciaio inossidabile **f**
- 1 guida per l'utente **g**



## 4. Accessori opzionali per Treegers

- Treegers Precise T-Dimmer 0-10v (attenuazione manuale)  
Codice prodotto: TPTD001



- Kit di estensione driver Treegers da 1000W (set di cavi da 3 m)  
Codice prodotto: TDEK002



- Controller di illuminazione Treegers Growcast (controller automatico per un massimo di 50 apparecchi) Codice prodotto: TGC0001



- Cavo di collegamento apparecchio Treegers da 4 m (utilizzare per collegare un apparecchio a un altro quando si controllano o si regolano più apparecchi)  
Codice prodotto: TFLK001



- Cavo di collegamento universale RJ-10V a 3 pin Treegers da 4 m (utilizzare per collegare un controller di illuminazione alternativo che richiede una connessione RJ)  
Codice prodotto: TUCC001



## 5. Sicurezza e avvertenze

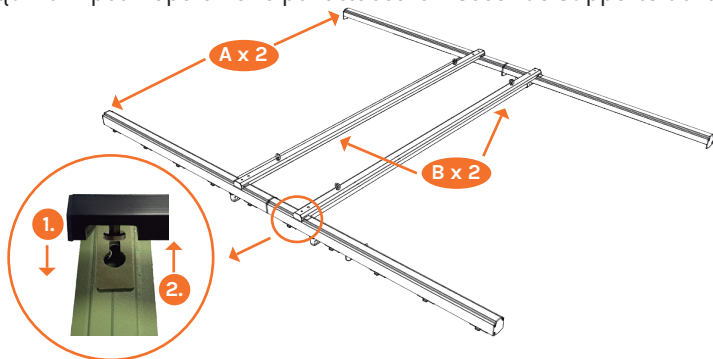
- Garantire la conformità alle leggi e ai regolamenti locali riguardanti l'uso di questo prodotto.
- Assicurarsi che l'apparecchio di illuminazione sia fissato saldamente in posizione prima dell'uso.
- Scollegare sempre l'alimentazione prima di spostare la lampada.
- Dopo aver scollegato l'alimentazione, lasciare raffreddare l'apparecchio prima di toccare qualsiasi parte.
- Non toccare la lampada quando è accesa, come alcuni componenti Forse Caldo.
- Non toccare i diodi con le mani, anche quando l'unità è spenta.
- Non guardare direttamente la fonte di luce.
- Non lavorare sotto l'apparecchio di illuminazione mentre è in funzione.
- Non immergere la lampada in acqua.
- Non tentare di effettuare interventi di manutenzione o riparazione sulla lampada, compresi i cavi di alimentazione.
- Mantenere una distanza di almeno 5 cm da tutti gli oggetti circostanti alla lampada.
- Non utilizzare prodotti detergenti abrasivi per pulire la lampada.
- Non esporre gli apparecchi illuminanti a fonti di calore eccessive.
- Non utilizzare apparecchi di illuminazione vicino a sostanze infiammabili.
- Se si verifica un danno a qualsiasi parte della lampada, scollegarla e interrompere immediatamente il funzionamento.

## 6. Assemblaggio e funzionamento

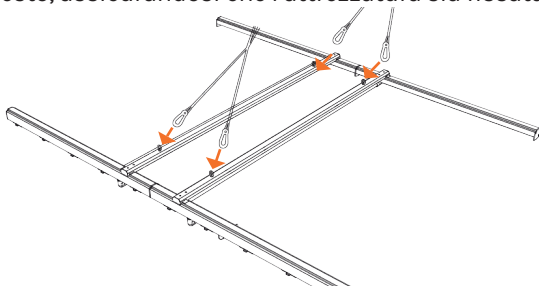
- Rimuovere tutti gli articoli dalla confezione e individuare ciascun articolo necessario per il montaggio.
- Ispezionare attentamente ogni articolo per possibili danni prima del montaggio.
- Inizia l'assemblaggio unendo ciascuna metà dei gruppi del telaio esterno 1 e 2.



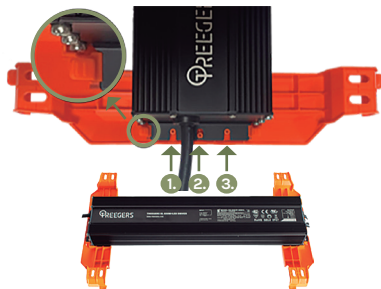
- Inizia l'assemblaggio collegando i pezzi neri del telaio di supporto a entrambe le sezioni del telaio verde. Individuare i fori nei pezzi del telaio esterno (A) e allineare con le alette nei pezzi di supporto del telaio (B). Spingere verso il basso (1.) e far scorrere verso l'interno (2.) per fissarlo. Attacca prima entrambe le estremità di un pezzo di supporto del telaio (B) a entrambi i pezzi del telaio esterno, quindi ripeti l'operazione per attaccare il secondo supporto del telaio.



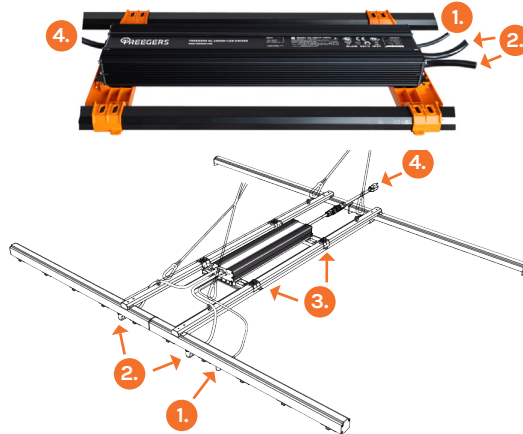
- Una volta completato l'assemblaggio del telaio, collegare ciascun gancio del cavo a entrambi gli occhielli di sospensione come illustrato di seguito e sospendere l'unità dove richiesto, assicurandosi che l'attrezzatura sia fissata saldamente.



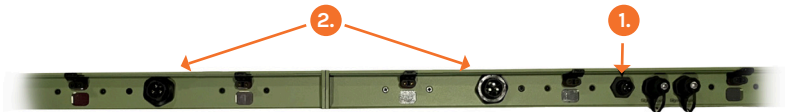
- Individua e collega ciascuna delle due staffe di supporto del driver arancione a ciascuna estremità del driver. Quando si collega il driver alle staffe, assicurarsi di allineare i tre perni di posizionamento sulla staffa con i tre fori situati sulla piastra di montaggio come mostrato di seguito. Prestare molta attenzione alla posizione delle teste delle viti, assicurandosi che siano appoggiate all'interno della sezione incassata della staffa, anch'essa raffigurata di seguito.



- Una volta fissato il driver a ciascuna delle staffe del driver, collegare il driver al gruppo del telaio (come mostrato di seguito), inserendo le staffe del driver sui supporti del telaio. Ciascuna staffa deve essere agganciata in posizione, prestando attenzione alle fessure di posizionamento. Assicurarsi che il driver sia posizionato con l'oscuramento (1.) e il cavo di alimentazione (2.) rivolti verso il lato corretto per il fissaggio al telaio. Una volta in posizione, il driver sarà fissato con un piccolo movimento all'interno delle fessure di posizionamento (3.)



- Collegare i cavi (1 e 2) che escono da un'estremità del driver al telaio. Le relative prese si trovano sotto il lato alimentato del telaio del **GL1000W+**. Una volta inserito, il blocco ad anello di ciascuna presa del cavo dovrebbe scattare e ruotare se spinto con decisione. È inoltre possibile collegare il cavo di alimentazione (4.) all'unica presa che esce dall'altra estremità del driver. Non accendere ancora l'alimentazione.

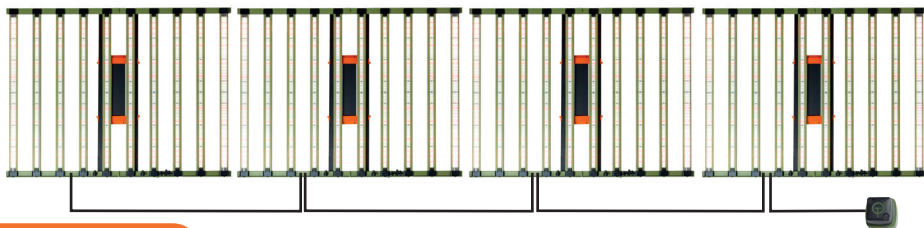


- Una volta collegato e collegato il driver, è ora possibile collegare le barre LED. Il **GL1000+** è dotato di due barre LED dotate di lenti ottiche. Tienili da parte per ultimo il montaggio. Ogni barra LED è dotata di un magnete ad alta resistenza su entrambe le estremità per aiutarla a fissarla in posizione, con un gancio su un'estremità (1.) e una presa di corrente sull'altra (2.). Attacca una barra alla volta, iniziando con le barre centrali e terminando utilizzando le due barre con lenti ottiche sui bordi esterni dell'apparecchio. Inserisci l'estremità uncinata di ciascuna barra nel foro di posizionamento sul lato non alimentato del telaio LED, quindi spingi con attenzione l'altra estremità di ciascuna barra in posizione facendo clic nell'alloggiamento della presa sul lato alimentato del telaio LED. Prendere nota della linguetta a molla dentellata (3.), che garantisce un fissaggio sicuro.





- Se si utilizza un Treegers Precise T-Dimmer o un Treegers Growcast, collegarlo alla presa di ingresso del segnale (1.), situata sul lato inferiore del telaio **GL1000W+**.
- Se si utilizzano più dispositivi di illuminazione e si utilizza Treegers Growcast, collegare ciascuna luce utilizzando un cavo di collegamento del dispositivo Treegers. Collegare il cavo di collegamento del dispositivo Treegers alla presa di uscita del segnale della prima luce a cui è collegato il Treegers Growcast, quindi collegare l'altra estremità del cavo di collegamento del dispositivo alla presa di ingresso del segnale della seconda luce. Ripetere questo passaggio per collegare la seconda luce alla terza luce e così via. È possibile collegare fino a 50 apparecchi a un controller Growcast.



## Avvertenze

- Assicurati che il tuo alimentatore sia sicuro e adatto allo scopo prima di collegare la luce di coltivazione **GL1000W+** all'alimentatore.
- Quando appendi o monti la lampada **GL1000W+**, assicurati che sia fissata saldamente e fissata prima di accenderla.
- Assicurarsi che il sistema di montaggio possa sostenere il peso della lampada prima di accenderla.
- Il nostro apparecchio **GL1000W+** è progettato con barre LED rimovibili. Tutte le barre devono essere installate prima dell'uso. Se è necessario rimuovere una barra per manutenzione, si consiglia di sostituirla il prima possibile, poiché non è consigliabile un uso prolungato con barre mancanti. Se è necessaria meno luce, si consiglia di installare un Treegers Precise T-Dimmer o un Treegers Growcast per ridurre l'emissione luminosa complessiva degli apparecchi.

Se sono state prese tutte le precauzioni, ora è possibile accendere il LED.

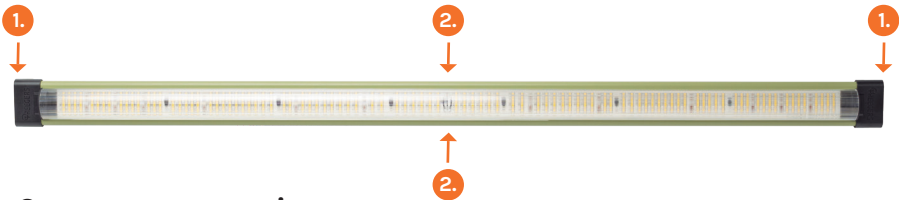


Per ulteriori indicazioni su come ottenere il massimo dal tuo nuovo apparecchio LED Treegers **GL1000W+**, esplora le nostre tattiche di luce crescente qui.



## 7. Lenti ottiche

Il **GL1000W+** è dotato di due lenti ottiche rimovibili. Queste lenti sono state progettate per restringere ed intensificare la dispersione della luce emessa. Vengono utilizzati sulle barre esterne dei nostri apparecchi GL+ per aumentare l'uniformità nell'impronta degli apparecchi. Se stai montando più apparecchi a una distanza inferiore a 50 cm l'uno dall'altro, potresti voler rimuovere le lenti ottiche per consentire una maggiore sovrapposizione della luce da ciascun apparecchio. Per fare ciò, è sufficiente rimuovere il tappo di gomma su ciascuna estremità dell'estremità della barra (1.), quindi premere delicatamente la base della lente verso l'interno (2.) per sganciarla e liberarla con attenzione. Assicurarsi che venga prestata attenzione a non causare danni inutili alla lente o al rivestimento in resina dei diodi. Se necessario, l'obiettivo può essere reinstallato invertendo il metodo di rimozione. Se i tuoi apparecchi LED vengono smontati e rimontati, le lenti possono essere installate su qualsiasi barra LED GL+, tuttavia consigliamo vivamente di limitare l'uso solo alle barre esterne.



## 8. Cura e manutenzione

**ATTENZIONE:** assicurarsi sempre che l'apparecchio sia stato scollegato dall'alimentazione e lasciato raffreddare prima di eseguire qualsiasi operazione di pulizia o manutenzione.

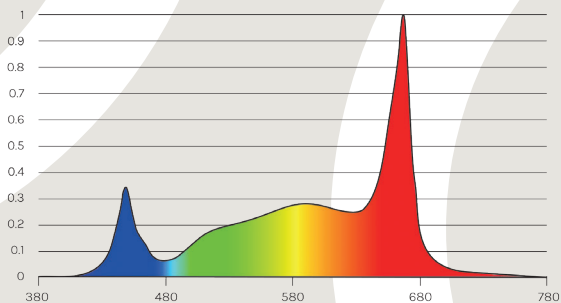
Per garantire che la tua nuova luce continui a funzionare al meglio, ti consigliamo di pulire regolarmente l'apparecchio con un panno morbido umido. Prestare particolare attenzione durante la pulizia delle barre LED poiché uno sfregamento troppo energico potrebbe causare danni al rivestimento in resina siliconica che protegge i diodi. Può essere utile anche una bomboletta di aria compressa per soffiare la polvere dalle fessure e dalle fessure dell'apparecchio.

## 9. Specifiche

- Codice prodotto: TGL0004
- EAN/GTIN: 9309001188061
- Consumo energetico: 1000 W  $\pm$ 5%
- Emissione luminosa PPF: 3090 $\mu$ mol/S
- Efficacia del dispositivo: 3.1 $\mu$ mol/J

- Efficacia dei diodi: fino a 4,35 $\mu$ mol/J
- Area di copertura: minimo 1,2x1,5 m fino a massimo 1,5x1,8 m
- Gestione termica: Raffreddamento Passivo
- Voltaggio in ingresso: 180-277V, 50/60 Hz
- Protezione ingresso: IP66
- Durata delle barre LED: +50.000 ore
- Dimmerazione: 0-10-20-30-40-50-60-70-80-90-100% (con Treegers Precise T Dimmer 0-10V)
- Controllo esterno: con Treegers Growcast o qualsiasi controller universale
- Distribuzione della luce: 120°
- Dimensioni dell'apparecchio: 1442x1090x100 mm
- Peso apparecchio: 13,50 Kg
- Dimensioni cartone: 1170x440x157 mm
- Peso Lordo: 17,25 Kg
- Certificazioni: CE, UKCA, RCM, RoHS, SAA
- Garanzia: 5 anni
- Spettro: ibrido a spettro completo F+
- Grafico dello spettro SQD:

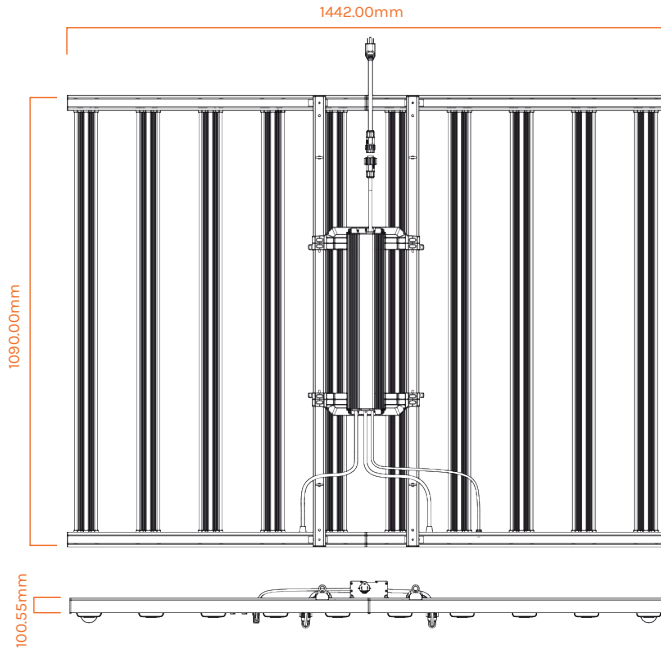
## Full-Spectrum HybridF+ by TREEGERS



### GL1000W+ CORRENTE MASSIMA IN INGRESSO

VOLT DI INGRESSO	OSCURAMENTO	POTENZA IN INGRESSO(W)	CORRENTE IN INGRESSO(A)
230AC	100%	1009.8W	4.87
240AC	100%	1008.2W	4.68
277AC	100%	1005.2W	4.09

## 10. Dimensioni dell'attrezzatura



## 11. Condizioni operative

I nostri apparecchi LED GL hanno un grado di ingresso di polvere e acqua IP66. Ciò significa che sono ermetici alla polvere e protetti contro getti d'acqua ad alta pressione da 12,5 mm, tuttavia, i nostri apparecchi sono stati progettati solo per uso interno e **non devono** essere utilizzati all'aperto o in ambienti umidi. I nostri apparecchi GL tollerano temperature ambiente fino a 45°C, ma consigliamo il funzionamento entro un intervallo compreso tra 20°C e 30°C, ove possibile, per mantenere le massime prestazioni. L'umidità relativa non deve superare il 90%.

## 12. Conformità

Questo prodotto è conforme agli standard di sicurezza elettrica e compatibilità elettromagnetica del Regno Unito, dell'UE e AS/NZS. È inoltre conforme alla direttiva RoHS e aderisce agli obblighi della direttiva WEEE per le vendite nei paesi europei.

### 13. Conservazione

Quando non in uso, questo prodotto deve essere pulito accuratamente prima di riporlo nella sua confezione originale e conservato in un luogo fresco e asciutto. Ispezionare sempre attentamente eventuali danni prima del rimontaggio.

### 14. Smaltimento

Separare dai rifiuti domestici e scegliere strutture di riciclaggio autorizzate per il corretto smaltimento di questo prodotto. In alternativa, utilizzare i punti di raccolta RAEE autorizzati o contattare le autorità locali competenti per i rifiuti per indicazioni sullo smaltimento.

### 15. Assistenza e Garanzia

Sosteniamo la qualità dei nostri prodotti e offriamo una **garanzia di cinque anni** sul tuo **GL1000W+** dalla data di acquisto.

Utilizza l'area sottostante per registrare il luogo e la data di acquisto insieme al numero di serie del tuo apparecchio. (situato sul lato inferiore del telaio dell'apparecchio) Tieni presente che il driver LED e ciascuna barra LED hanno il proprio numero di serie univoco per tranquillità e trasparenza.

Luogo d'acquisto: .....

Data di acquisto: .....

Numero di serie: .....

Si prega di conservarlo in un luogo sicuro per riferimento futuro.

#### Copertura della garanzia

La garanzia copre i difetti nei materiali e nella lavorazione in condizioni di utilizzo normale, inclusi malfunzionamenti dell'apparecchio LED, del cavo di alimentazione o dei connettori.

#### Esclusioni

La garanzia non copre i danni derivanti da installazione o assemblaggio impropri, modifiche o riparazioni non autorizzate, incidenti, uso improprio, negligenza o qualsiasi utilizzo di accessori non approvati. La nostra garanzia non copre i danni ai diodi causati da ambienti ad alto contenuto di zolfo. Si raccomanda vivamente di prestare attenzione quando si utilizzano pesticidi e fertilizzanti presenti nell'aria.

**IMPORTANTE:** L'esposizione ad ambienti ad alto contenuto di zolfo invaliderà la garanzia dell'apparecchio. È necessario adottare misure preventive per garantire che gli apparecchi di illuminazione rimangano puliti e non siano esposti a prodotti contenenti zolfo, cloro o bromuro. Si prega di contattare [support@treegers.com](mailto:support@treegers.com) se desideri ulteriori informazioni su come ridurre al minimo il rischio di vulcanizzazione dei diodi a causa di ambienti ad alto contenuto di zolfo.

## Procedura di richiesta di garanzia

Se riscontri problemi coperti dalla garanzia, segui questi passaggi:

Contatta l'assistenza clienti: Contatta il nostro team di assistenza clienti via e-mail all'indirizzo [support@treegers.com](mailto:support@treegers.com) per avviare una richiesta di garanzia.

Fornire la prova di acquisto: Tenere a portata di mano la prova d'acquisto per convalidare il periodo di garanzia.

Descrivi il problema: Descrivi chiaramente il problema che stai riscontrando e segui le istruzioni fornite dal nostro team di supporto.

Processo di restituzione: Se necessario, il nostro team di supporto ti guiderà attraverso il processo di reso. Non restituire i prodotti senza previa autorizzazione.

## Assistenza e riparazioni

Per problemi non coperti dalla garanzia o se il periodo di garanzia è scaduto, quando possibile, possiamo offrire un servizio di riparazione. Contatta il nostro team di assistenza clienti per informazioni sulle tariffe del servizio, istruzioni di spedizione e qualsiasi altro dettaglio relativo alle riparazioni fuori garanzia.

## Servizio Clienti

Il nostro team di assistenza clienti dedicato è disponibile per assisterti in caso di domande, dubbi o richieste di garanzia. Sentiti libero di contattarci [support@treegers.com](mailto:support@treegers.com).

## Grazie per aver scelto Treegers.

Ci impegniamo a fornirti un'esperienza di crescita eccellente.



# LED svítidlo Treegers GL1000W+

## Uživatelská příručka

### čeština

#### Obsah

1. Úvod	64
2. Popis výrobku	64
3. Co je v krabici	64
4. Volitelné příslušenství Treegers	65
5. Bezpečnostní doporučení a varování	66
6. Montáž a provoz	66
7. Optické čočky	70
8. Péče a údržba	70
9. Specifikace	70
10. Rozměry svítidla	72
11. Operační podmínky	72
12. Dodržování	72
13. Úložný prostor	73
14. Likvidace	73
15. Servis a záruka	73

# 1. Úvod

Gratulujeme k vaší volbě kultivovat s LED svítidlem Treegers GL1000W+.

Pro zajištění bezproblémového zážitku vám doporučujeme, abyste si před použitím tohoto zařízení důkladně prostudovali a porozuměli tomuto návodu. Pokud si z jakéhokoli důvodu nejste jisti procesem instalace, důrazně doporučujeme, aby instalaci provedl kvalifikovaný odborník.

## 2. Popis produktu

GL1000W+ LED je vysoce výkonné, více lineární rostoucí světlo s vynikající rovnoměrností a účinností **svítidla až 3,1 umol/J**. Je také vybavena směsí diod Treegers Full-Spectrum HybridF+ pro zajištění optimálního zdraví rostlin a vydatné sklizně. Modulární design GL1000W+ zajišťuje rychlý servis a údržbu, zatímco jeho IP krytí IP66 ochrání před vlhkostí a prachem.

## 3. Co je v krabici?

- 10 x vysoce výkonné LED pruhy (2 s optickými čočkami) **a**
- 1 x 1000W vysoce kvalitní ovladač **b**
- 1 x sada rámu (6 položky rámu) **c**
- 2 x podpěrné držáky ovladače **d**
- 1 x napájecí kabe **e**
- 2 x Nerezové věšáky na kabely **f**
- 1 x Uživatelská příručka **g**





## 4. Volitelné příslušenství Treegers

- Treegers Precise T-Dimmer 0-10v (manuální stmívání)  
Kód produktu: TPTD001



- Treegers 1000W rozšiřující sada ovladače (3m kabelová sada)  
Kód produktu: TDEK002



- Ovladač osvětlení Treegers Growcast (automatický ovladač až pro 50 zařízení)  
Kód produktu: TGC001



- Kabel Treegers Fixture Link 4m (používá se k propojení jednoho svítidla s druhým při ovládání nebo stmívání více svítidel) Kód produktu: TFLK001



- Treegers Univerzální RJ-10V 3kolíkový propojovací kabel 4m (používá se pro připojení alternativního ovladače osvětlení, který vyžaduje RJ připojení)  
Kód produktu: TUCC001



## 5. Bezpečnost a varování

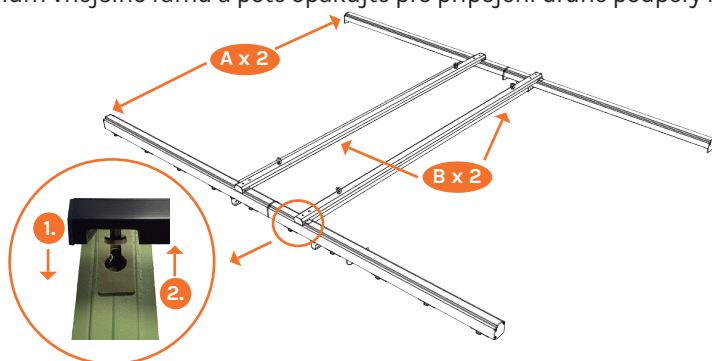
- Zajistěte soulad s místními zákony a předpisy týkajícími se používání tohoto produktu.
- Před použitím se ujistěte, že je svítidlo pevně zajištěno na svém místě.
- Před přemístěním svítidla vždy odpojte napájení.
- Po odpojení napájení nechejte zařízení vychladnout, než se dotknete jakékoliv části.
- Nedotýkejte se svítidla, když je zapnuté, jako některých komponent možná horký.
- Nedotýkejte se diod rukama, i když je jednotka vypnutá.
- Nedívejte se přímo do zdroje světla.
- Nepracujte pod svítidlem, pokud je v provozu.
- Neponořujte svítidlo do vody.
- Nepokoušejte se opravovat nebo opravovat svítidlo, včetně napájecích kabelů.
- Udržujte vzdálenost od všech okolních předmětů ke svítidlu alespoň 5 cm.
- K čištění svítidla nepoužívejte žádné abrazivní čisticí prostředky.
- Nevystavujte svítidla nadměrným zdrojům tepla.
- Neprovozujte svítidla v blízkosti hořlavých látek.
- Pokud dojde k poškození kterékoli části svítidla, okamžitě jej odpojte a zastavte provoz.

## 6. Montáž a provoz

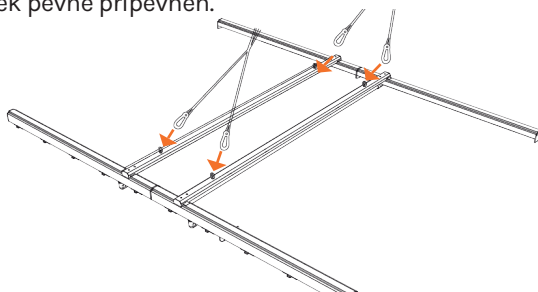
- Vyjměte všechny položky z obalu a najděte každou položku potřebnou k sestavení.
- Před montáží pečlivě zkontrolujte každou položku, zda není poškozena.
- Začněte svou montáž spojením každé poloviny sestav vnějšího rámu **1 a 2**.



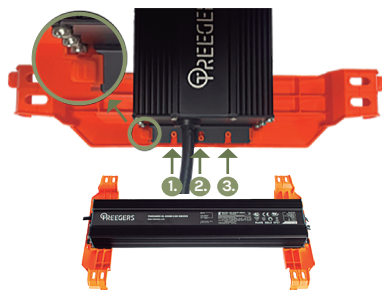
- Začněte montáž připojením černých dílů podpěrného trámu k oběma zeleným částem rámu. Najděte klíčové otvory ve vnějších dílech rámu (A) a zarovnejte je s výstupky v podpěrných kulech rámu (B). Zatlačte dolů (1.) a zajistěte jej posunu tím dovnitř (2.). Nejprve připevněte oba konce jednoho dílu podpěry rámu (B) k oběma dílům vnějšího rámu a poté opakujte pro připojení druhé podpěry rámu.



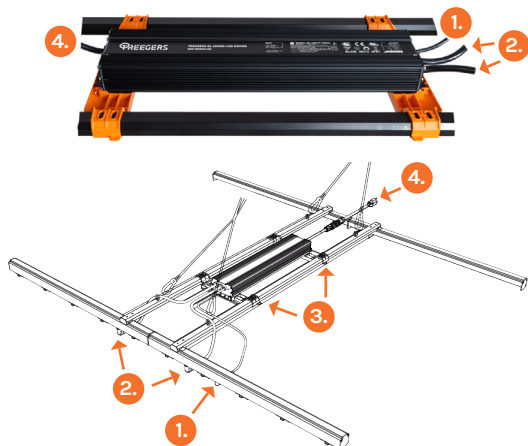
- Jakmile je sestava rámu dokončena, připevněte každý kabelový závěs k oběma závěsným okům, jak je znázorněno níže, a zavěste jednotku tam, kde je to nutné, a ujistěte se, že je přípravek pevně připevněn.



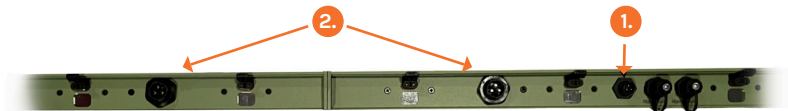
- Najděte a připevněte každou ze dvou oranžových podpěrných držáků ovladače ke každému konci ovladače. Při připevňování ovladače k držákům se ujistěte, že jste zarovnali tři polohovací kolíky na držáku se třemi otvory umístěnými na montážní desce, jak je znázorněno níže. Věnujte velkou pozornost poloze hlav šroubů a ujistěte se, že spočívají v zapuštěné části držáku, také na obrázku níže.



- Jakmile je ovladač připevněn ke každému z držáků ovladače, připojte ovladač k sestavě rámu (jak je znázorněno níže) zacvaknutím držáků ovladače na podpěry rámu. Každá konzola by měla být přichycena na místo, přičemž věnujte pozornost umístění drážek. Ujistěte se, že je ovladač umístěn tak, aby stmívací (1.) a napájecí kabel (2.) směřovaly na správnou stranu pro připevnění k rámu. Jakmile je ovladač na místě, bude zajištěn malým pohybem v polohovacích štěrbinách (3.)



- Připojte kabel (1 a 2), které vycházejí z jednoho konce ovladače, k rámu. Zásuvky pro tyto jsou umístěny pod napájenou stranou rámu **GL1000W+**. Po zasunutí by měl prstencový zámek každé kabelové zásuvky zaklapnout a otočit se, když je pevně zasunut. Můžete také připojit napájecí kabel (4.) do jedné zásuvky, která vystupuje na druhém konci ovladače. Ještě nezapínejte napájení.

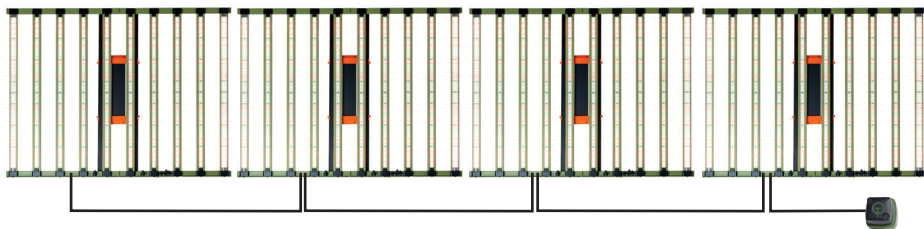


- Jakmile je ovladač připojen a připraven, můžete nyní připevnit lišty LED. **GL1000+** má dva LED pruhy, které jsou osazeny optickými čočkami. Nechte si je stranou pro montáž jako poslední. Každá LED lišta je na obou koncích vybavena vysoce pevným magnetem, který ji pomáhá zajistit na místě, s háčkem na jednom konci (1.) a napájenou zásuvkou na druhém (2.). Připojujte vždy jeden pruh, začněte středovými pruhy a dokončete pomocí dvou pruhů s optickými čočkami na vnějších okrajích zařízení. Zasuňte hákový konec každé tyče do polohovacího otvoru na nenapájené straně rámu LED a poté opatrně zatlačte druhý konec každé tyče na místo zacvaknutím do pouzdra zásuvky na napájené straně rámu LED. Všimněte si ostnatého pružného jazyčku (3.), který zajistí bezpečné upevnění.



Používáte-li Treegers Precise T-Dimmer nebo Treegers Growcast, připojte jej ke konektoru vstupu signálu (1.), který se nachází na spodní straně rámu **GL1000W+**.

Pokud provozujete více svítidel a používáte Treegers Growcast, připojte každé svítidlo pomocí propojovacího kabelu Treegers Fixture. Připojte propojovací kabel zařízení Treegers k výstupní zásuvce signálu prvního světla, ke kterému je připojen Treegers Growcast, a poté připojit druhý konec propojovacího kabelu zařízení k zásuvce vstupu signálu druhého světla. Opakujte tento krok pro připojení druhého světla ke třetímu světlu a tak dále. K jednomu ovladači Growcast lze připojit až 50 zařízení linked to one Growcast controller.



## Upozornění

- Ujistěte se, že váš napájecí zdroj je bezpečný a vhodný pro daný účel, než připojíte pěstební světlo **GL1000W+** k vašemu napájecímu zdroji.
- Při zavěšování nebo montáži svítidla **GL1000W+** se před zapnutím ujistěte, že je pevně připevněno a zajištěno.
- Před zapnutím se ujistěte, že montážní systém unese hmotnost svítidla.
- Naše svítidlo **GL1000W+** je navrženo s odnímatelnými LED lištami. Všechny tyče musí být nainstalovány před uvedením do provozu. Pokud je třeba jednu lištu vyjmout kvůli servisu, doporučujeme ji co nejdříve vyměnit, protože dlouhodobé používání s chybějícími lištami se nedoporučuje. Pokud je potřeba méně světla, doporučujeme nainstalovat Treegers Precise T-Dimmer nebo Treegers Growcast, aby se snížil celkový světelný výkon svítidel.

Pokud byla přijata všechna opatření, lze nyní vaši LED zapnout.

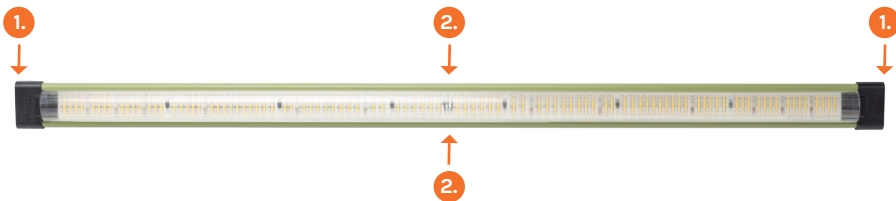


Další pokyny, jak ze svého nového svítidla LED Treegers **GL1000W+** vytěžit maximum, prozkoumejte naši taktiku růstu světla zde.



## 7. Optické čočky

**GL1000W+** je vybaven dvěma odnímatelnými optickými čočkami. Tyto čočky byly navrženy tak, aby zužovaly a zesilovaly rozptýlené světlo vyzařovaného světla. Používají se na vnějších lištách našich svítidel GL+, aby se zvýšila jednotnost v celé ploše svítidel. Pokud montujete více svítidel s rozestupy blíže než 50 cm od sebe, možná budete chtít odstranit optické čočky, abyste umožnili větší překrytí světla z každého svítidla. Chcete-li to provést, jednoduše odstraňte pryžovou zátku na každém konci konce lišty (1.), poté jemně stiskněte základnu čočky směrem dovnitř (2.), aby se uvolnila a opatrně ji vytáhněte. Bejte na to, abyste nezpůsobili zbytečné poškození čočky nebo pryskyřičného povlaku diod. Čočku lze v případě potřeby znovu nainstalovat obráceným způsobem vyjmutí. Pokud jsou vaše LED svítidla demontovat a znovu sestavena, vaše čočky lze znovu nainstalovat na jakoukoli lištu LED GL+, ale důrazně doporučujeme omezit jejich použití pouze na vnější lišty.



## 8. Péče a údržba

**UPOZORNĚNÍ:** Před čištěním nebo údržbou se vždy ujistěte, že bylo zařízení odpojeno od napájení a nechalo vychladnout.

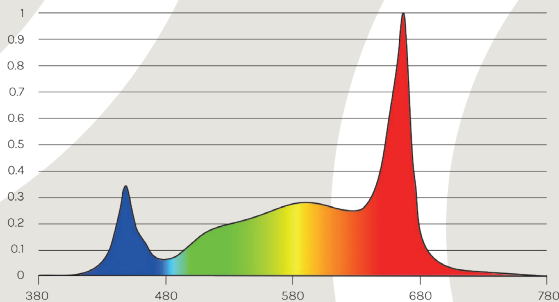
Abyste zajistili, že vaše nové světlo bude i nadále fungovat co nejlépe, doporučujeme svítidlo pravidelně čistit měkkým vlhkým hadříkem. Při čištění LED tyčí buďte zvláště opatrní, protože příliš silné drhnutí může způsobit poškození silikonové pryskyřice, která chrání diody. Plechovka se stlačeným vzduchem může být také užitečná k vyfukování prachu z trhlin a štěrbin přípravku.

## 9. Specifikace

- Kód produktu: TGL0004
- EAN/GTIN: 9309001188061
- Spotřeba energie: 1000W  $\pm$ 5%
- Světelný výkon PPF: 3090 $\mu$ mol/s
- Účinnost přípravku: 3.1 $\mu$ mol/J
- Účinnost diod: Až 4,35 $\mu$ mol/J
- Oblast pokrytí: minimálně 1,2 x 1,5 m až maximálně 1,5 x 1,8 m

- Tepelný management: Pasivní chlazení
- Vstupní napětí: 180-277V, 50/60 Hz
- Krytí: IP66
- Životnost LED tyčí: +50 000 hodin
- Stmívání: 0-10-20-30-40-50-60-70-80-90-100% (w/ Treegers Precise T Dimmer 0-10V)
- Externí ovládání: s Treegers Growcast nebo jakýmkoliv univerzálním ovladačem
- Rozložení světla: 120°
- Rozměry svítidla: 1442x1090x100 mm
- Hmotnost přípravku: 13,50 kg
- Rozměry kartonu: 1170x440x157 mm
- Hrubá hmotnost: 17,25 kg
- Certifikace: CE, UKCA, RCM, RoHS, SAA
- Záruka: 5 let
- Spektrum: Full-Spectrum HybridF+
- Graf spektra SQD:

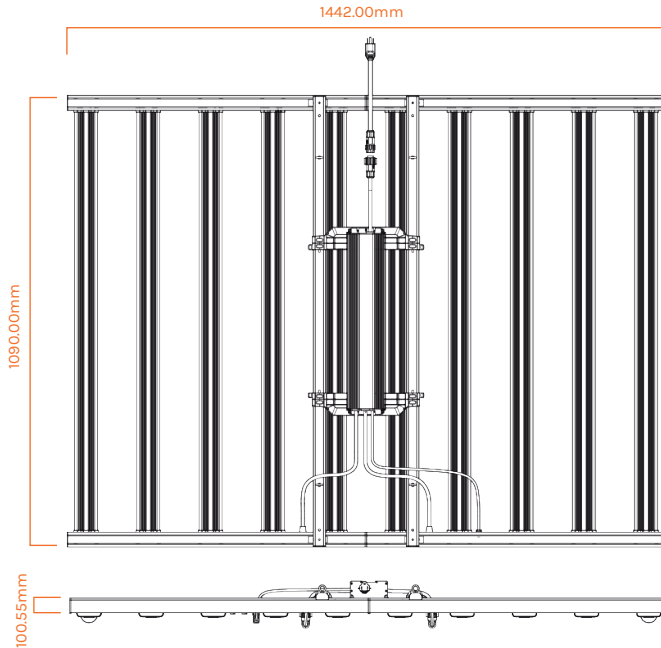
## Full-Spectrum HybridF+ by TREEGERS



### GL1000W+ MAXIMÁLNÍ VSTUPNÍ PROUD

VSTUPNÍ VOLT	STMÍVÁN	VSTUPNÍ VÝKON(W)	VSTUPNÍ PROUD(A)
230AC	100%	1009.8W	4.87
240AC	100%	1008.2W	4.68
277AC	100%	1005.2W	4.09

## 10. Rozměry svítidla



## 11. Operační podmínky

Naše svítidla GL LED mají stupeň ochrany proti prachu a vodě IP66. To znamená, že jsou prachotěsné a chráněné proti vysokotlakým 12,5 mm vodním paprskům, avšak naše svítidla byla navržena pouze pro vnitřní použití a neměla by být provozována venku nebo ve vlhkém prostředí. Naše svítidla GL tolerují okolní teploty až 45°C, ale doporučujeme provoz v rozsahu mezi 20°C -30°C tam, kde je to možné, pro udržení špičkového výkonu. Relativní vlhkost by neměla překročit 90 %.

## 12. Dodržování

Tento produkt splňuje normy pro elektrickou bezpečnost a elektromagnetickou kompatibilitu Spojeného království, EU a AS/NZS. Je také v souladu s RoHS a dodržuje závazky směrnice WEEE pro prodej v evropských zemích.



## 13. Úložný prostor

Když se tento výrobek nepoužívá, měl by být před uložením do původního obalu důkladně vyčištěn a uložen na chladném a suchém místě. Před opětovnou montáží vždy důkladně zkontrolujte, zda nedošlo k poškození

## 14. Likvidace

Oddělte od domovního odpadu a pro správnou likvidaci tohoto produktu vyberte autorizovaná recyklační zařízení. Případně použijte autorizovaná sběrná místa OEEZ nebo kontaktujte místní úřady pro nakládání s odpady, které vám poskytnou pokyny k likvidaci.

## 15. Servis a záruka

Za kvalitou našich produktů si stojíme a na váš **GL1000W+** nabízí **pětiletou záruku** od data nákupu.

Použijte prosím níže uvedenou oblast k zaznamenání místa a data nákupu spolu se sériovým číslem vašeho příslušenství. (umístěno na spodní straně rámu svítidel) Vezměte prosím na vědomí, že ovladač LED a každá lišta LED má své vlastní jedinečné sériové číslo pro klid a transparentnost.

Místo nákupu: .....

Datum nákupu: .....

Sériové číslo: .....

Uschovejte jej na bezpečném místě pro budoucí použití.

### Záruční krytí

Záruka se vztahuje na vady materiálu a zpracování při běžném používání, včetně závad LED svítidla, napájecího kabelu nebo konektorů.

### Výluky

Záruka se nevztahuje na škody vzniklé v důsledku nesprávné instalace nebo montáže, neoprávněných úprav nebo oprav, nehod, nesprávného použití, nedbalosti nebo jakéhokoli použití neschváleného příslušenství. Naše záruka se nevztahuje na poškození diod způsobená prostředím s vysokým obsahem síry. Důrazně se doporučuje věnovat pozornost používání poléťavých pesticidů a hnojiv.

**DŮLEŽITÉ:** Vystavení prostředí s vysokým obsahem síry zruší záruku na přípravek. Musí být přijata preventivní opatření, aby svítidla zůstala čistá a nebyla vystavena žádným produktům obsahujícím síru, chlór nebo bromid. Prosím kontaktujte [support@treegers.com](mailto:support@treegers.com) pokud byste chtěli další informace o tom, jak můžete minimalizovat riziko vulkanizace diod v důsledku prostředí s vysokým obsahem síry.

## Proces reklamace záruky

Pokud narazíte na nějaké problémy, na které se vztahuje záruka, postupujte podle následujících kroků:

Kontaktujte zákaznickou podporu: Obráťte se na náš tým zákaznické podpory prostřednictvím e-mailu na adrese [support@treegers.com](mailto:support@treegers.com) a iniciujte reklamaci záruky.

Poskytněte doklad o nákupu: Připravte si doklad o koupi pro potvrzení záruční doby.  
Popište problém: Jasně popište problém, kterému čelíte, a postupujte podle pokynů našeho týmu podpory.

Proces vrácení: V případě potřeby vás náš tým podpory provede procesem vrácení. Nevracejte produkty bez předchozího povolení.

## Servis a opravy

V případě problémů, na které se záruka nevztahuje, nebo pokud záruční doba vypršela, můžeme nabídnout opravu. Obráťte se na náš tým zákaznické podpory pro informace o servisních poplatcích, pokyny k odeslání a další podrobnosti týkající se mimozáručních oprav.

## Zákaznická podpora

Náš specializovaný tým zákaznické podpory je k dispozici, aby vám pomohl s jakýmkoli dotazy, problémy nebo nároky na záruku. Neváhejte se obrátit na [support@treegers.com](mailto:support@treegers.com).

## Děkujeme, že jste si vybrali Treegers.

sme odhodláni poskytnout vám vynikající růstový zážitek.



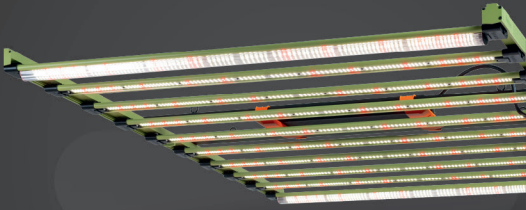


TREEGERS

TACTICAL GROW GEAR

[treegers.com](https://treegers.com)

# TREEGERS GL1000W+ LED FIXTURE



HARNESS THE POWER, WITH A MASSIVE LIGHT OUTPUT, USABLE PHOTON EFFICACY AND EXCEPTIONAL CANOPY UNIFORMITY, OUR GL1000W+ WILL ELEVATE YOUR GROW TO THE NEXT LEVEL. THE ULTIMATE IN CUTTING-EDGE, GROW LIGHT TECHNOLOGY AND INNOVATION, THIS 10 BAR FIXTURE WITH DETACHABLE BARS, OFFERS UNBEATABLE PERFORMANCE AND AFFORDABILITY.

### USER GUIDE

- To ensure safety, please read this manual carefully before installation and follow the instructions herein.
- Store this manual in a secure place for future reference.

Made in P.R.C.


# treegers.com