

# JETLINE ECOWATT

HIGH PERFORMANCE IN-LINE DUCT MOUNTED FAN WITH EC MOTOR

**5\***  
YEAR WARRANTY

**IP44**

**EURO  
MADE**

**ULTRA  
QUIET**

The Jetline EcoWatt in-line fan comes equipped with the latest energy efficient EC motor technology. It is speed-controllable via a 0-10V analogue input signal and includes an on-board potentiometer.

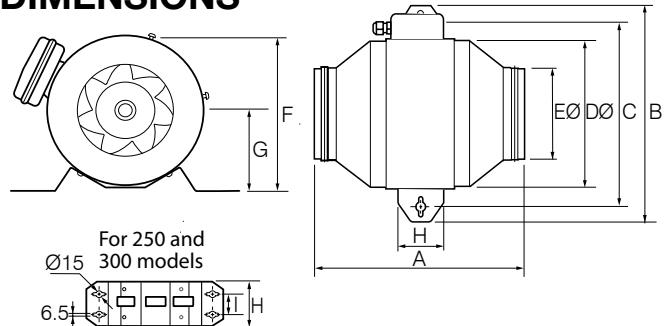
It features a low profile design and silent-block motor mounting to reduce vibrations and lower the sound level of operation.

The Jetline EcoWatt has a durable outer casing that is manufactured from long lasting galvanised steel.

- An energy efficient solution with state-of-the-art EC motor technology.
- Speed-controllable via a 0-10V analogue input signal.
- High performance patented centrifugal impeller.
- Designed for direct connection to standard diameter circular ducting.
- Galvanised steel quick fit mounting bracket for fast installations.
- Rubber gasket on spigots improves seal between fan and duct work.
- Can be mounted in any position.

Please note: requires hard wire installation

## DIMENSIONS



MODEL NO.	A	B	C	DØ	EØ	F	G	H	I	WEIGHT KG
JETLINE-100ECO	276	306	256	181	95	190	98	70	-	2.5
JETLINE-125ECO	279	315	265	206	120	214	111	70	-	2.8
JETLINE-150ECO	323	348	299	244	145	252	130	70	-	3.6
JETLINE-200ECO	322	369	320	273	195	281	145	100	-	4.7
JETLINE-250ECO	329	375	326	293	245	301	155	120	50	5.8
JETLINE-315ECO	369	407	358	322	310	331	170	120	50	9.6

All dimensions in mm

## SPECIFICATIONS

MODEL NO.	M <sup>3</sup> /HR <sup>†</sup>	L/SEC <sup>†</sup>	FAN SPEED REV/SEC	AVG. dB(A) @ 3M <sup>**</sup>	WATTS	1PH AMPS	VOLTS
JETLINE-100ECO	260	72	45	35	19	0.1	220-240
JETLINE-125ECO	390	108	44	41	40	0.2	220-240
JETLINE-150ECO	680	189	46	46	83	0.4	220-240
JETLINE-200ECO	1050	292	44	51	125	0.5	220-240
JETLINE-250ECO	1270	353	45	53	160	0.7	220-240
JETLINE-315ECO	1570	436	43	52	215	0.9	220-240

\*\* Inlet sound levels

<sup>†</sup> Air flow without duct and fittings

\*Conditions apply. For details visit: [fantechtrade.com.au/warranty](http://fantechtrade.com.au/warranty)