



# iFilters™



**Flow rate**  
Up to 50 m<sup>3</sup>/h



**Filtering Surface**  
100 - 1515 cm<sup>2</sup>



**Diameters**  
3/4" - 3"



## **Filtration Degree (mesh)**

Standard filtration degree: 120 mesh (130 micron)

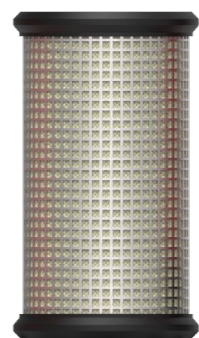
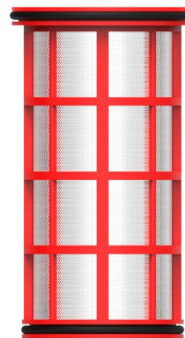
**20**  
(800 micron)



**200**  
(80 micron)

## **Advantages**

- ✓ Constructed with durable, **high strength plastics**
- ✓ **Small footprint** and highly versatile.
- ✓ Excellent **value for money**



# iFilters™

## General technical specifications

### General Specifications

<b>CONNECTION TYPE</b>	Male threaded (BSP/NPT) Female threaded (Swivel BSP)
<b>FILTERING CARTRIDGE</b>	Stainless steel screen
	Disks
	Polyester Screen
<b>DISCHARGE</b>	Male Threaded 3/4" BSP (mod. YCV-YDV-YEV-YFV) Female Threaded 3/4" BSP (mod. YGG-YGF-YHG-YHF)
<b>PRESSURE GAUGE CONNECTIONS</b>	Male Threaded 1/4" BSP (mod. YDV-YEV-YFV) Female Threaded 1/4" BSP (mod. YGG-YGF-YHG-YHF)

### Construction materials

<b>BODY</b>	Polypropylene
<b>COVER</b>	Polypropylene
<b>FILTERING ELEMENT</b>	Stainless steel screen: Polypropylene + stainless steel screen Poly screen: Polypropylene + Polyester screen Disks: Polypropylene disks and structure
<b>TIGHTENING RING NUT (mod. YGG - YHG)</b>	Reinforced polyamide
<b>CLOSING CLAMP (mod. YGF - YHF)</b>	Stainless Steel AISI 304
<b>GASKETS</b>	NBR



### Conditions of use

<b>PH RANGE</b>	4<pH<11
<b>MAX TEMPERATURE</b>	60 °C / 140 °F
<b>MAX PRESSURE</b>	8 bar (YFV - YG* - YH*)
	10 bar (YCV - YDV - YEV)

## Selecting the correct model

DIAMETER	3/4" - 1"		1" 1/4	1 1/2"	2"	3"
<b>MODEL</b>	 YCV	 YDV	 YEV	 YFV	 YGG - YGF	 YHG - YHF

<b>General Specifications</b>	<b>FILTRATION DEGREE</b>	20 - 30 - 50 - 75 - 100 - 120 - 155 - 200 mesh				75 - 120 - 155 mesh	
		800 - 500 - 300 - 200 - 160 - 130 - 100 - 80 micron				200 - 130 - 100 micron	
	<b>CLOSING MECHANISM</b>	Polypropylene cover				Nylon ring nut - Stainless Steel Clamp	
	<b>MAXIMUM FLOW RATE</b>	5 m³/h		10 m³/h	20 m³/h	25 m³/h	
	<b>FILTERING SURFACE</b>	100 cm²	170 cm² (screen: 160)	260 cm² (screen: 220)	500 cm² (screen: 450)	960 cm² (830-990 screen)	1470 cm² (1290-1515 screen)
<b>FILTERING CAPACITY</b>	LOW	MEDIUM	MEDIUM	MEDIUM	GOOD	VERY HIGH MEDIUM	

<b>Applications</b>		Accessory filtration (tanks, machinery, etc.)	Secondary filtration (security and/or sector filters)
		Secondary filtration (Valve Boxes) Primary Filtration (Good quality well water)	Primary Filtration - well water / high quality

**YHG - YHF**



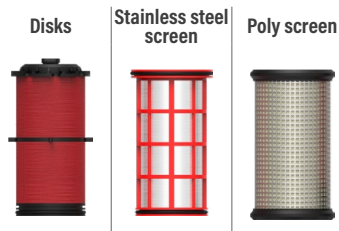
**Description**

Large in-line filter, available in 2" or 3" sizes. Disk, stainless steel screen or polyester screen filtering elements. Closing system with 2 options: stainless steel clamp (mod. YHF) or reinforced Polyamide Ring Nut (mod. YHG). Ideal as a sector filter or as a primary filter in good quality well water applications



Diameter	Closure	Filtering Element	Code	PN	Maximum flow rate (m <sup>3</sup> /h)	Filtering Surface (cm <sup>2</sup> )	L (mm)	A (mm)	H (mm)	Weight (kg)			
2"	Ring nut	Stainless Steel Screen	IFYHGGIxyyCON	8	25	1290	400	250	370	3.9			
		Polyester Screen	IFYHGGPxyyCON			1515				4			
		Disks	IFYHGGDxyyCON			1470				5.4			
	Stainless Steel Clamp	Stainless Steel Screen	IFYHFGIxyyCON			1290				3.6			
		Polyester Screen	IFYHFGPxyyCON			1515				3.7			
		Disks	IFYHFGDxyyCON			1470				5.1			
3"	Ring nut	Stainless Steel Screen	IFYHGIxyyCON		50	50	1290			446			4.1
		Polyester Screen	IFYHGIPxyyCON				1515						4.2
		Disks	IFYHGIDxyyCON				1470						5.6
	Stainless Steel Clamp	Stainless Steel Screen	IFYHFIxyyCON				1290						3.8
		Polyester Screen	IFYHFIPxyyCON				1515						3.9
		Disks	IFYHFIDxyyCON				1470						5.3

**Filtering Cartridge**



**Connections**

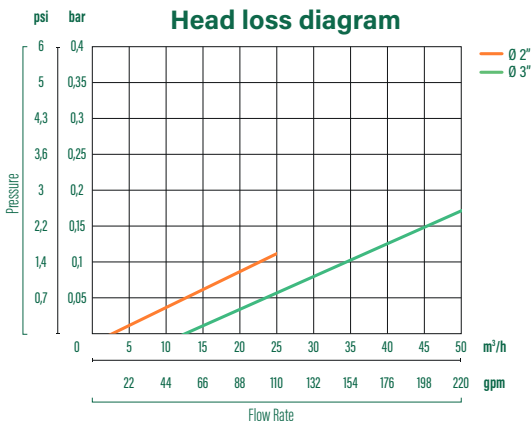
yy: connections (replace with:)

Ref.	Fittings
M2	Threaded BSP (M/M)
M5	Threaded NPT (M/M)

**Filtration degree (mesh)**

x: mesh (replace with:)

Ref.	Mesh	Micron	Colour
H	75	200	
L	120	130	
N	155	100	



THG

YHF

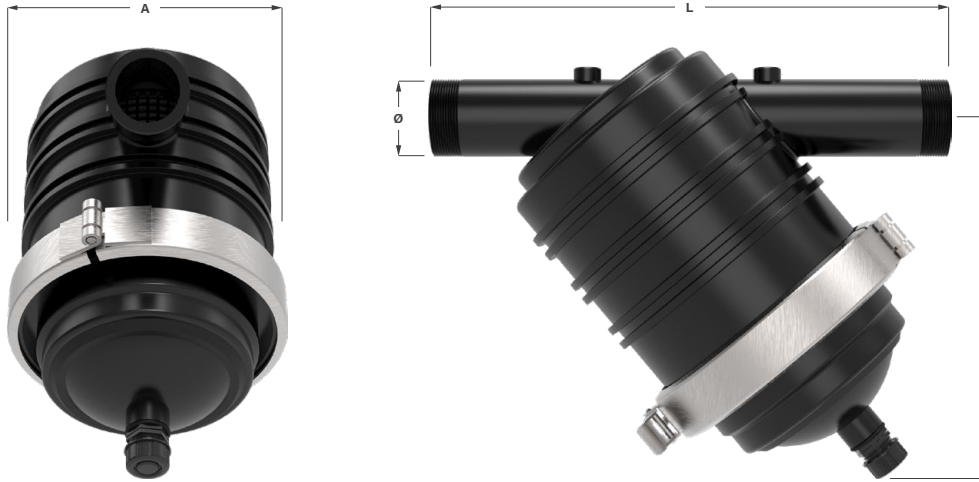


# YGG - YGF



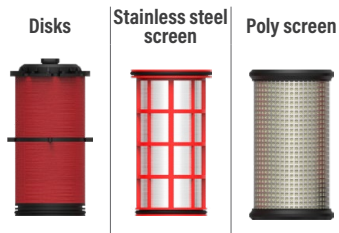
## Description

Compact in-line filter available in 2" size. Disk, stainless steel screen or polyester screen filtering elements. Closing system with 2 options: stainless steel clamp (mod. YGF) or reinforced Polyamide Ring Nut (mod. YGG). Its small footprint makes it ideal for use as a sector filter.



Diameter	Closure	Filtering Element	Code	PN	Maximum flow rate (m <sup>3</sup> /h)	Filtering Surface (cm <sup>2</sup> )	L (mm)	A (mm)	H (mm)	Weight (kg)
2"	Ring nut	Stainless steel screen	IFYGGGlxyyCON	8	25	830	400	250	260	3.6
		Polyester Screen	IFYGGGPxyyCON			990				3.5
		Disks	IFYGGGDxyyCON			960				4.4
	Stainless Steel Clamp	Stainless steel screen	IFYGFGlxyyCON			830				3.3
		Polyester Screen	IFYGFGPxyyCON			990				3.2
		Disks	IFYGFGDxyyCON			960				4.1

## Filtering Cartridge



## Connections

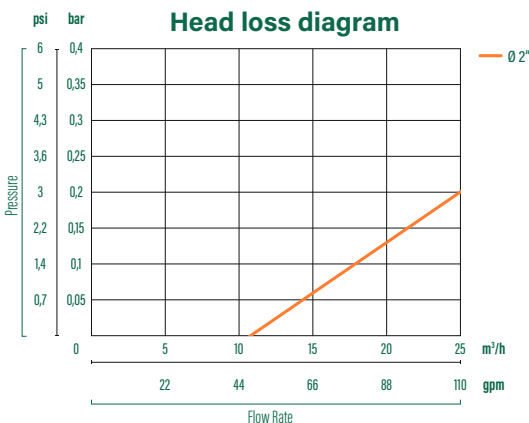
yy: connections (replace with:)

Ref.	Fittings
M2	Threaded BSP (M/M)
M5	Threaded NPT (M/M)

## Filtration degree (mesh)

x: mesh (replace with:)

Ref.	Mesh	Micron	Colour
H	75	200	
L	120	130	
N	155	100	



YGG

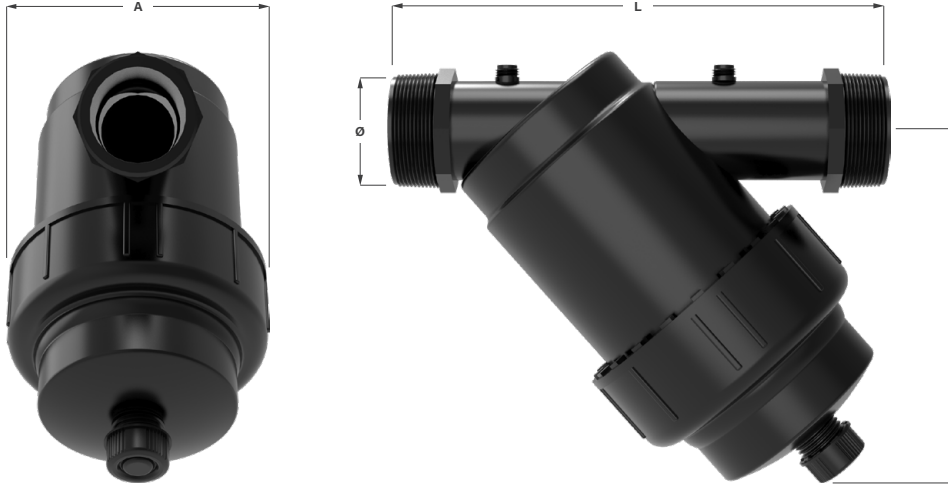


YGF



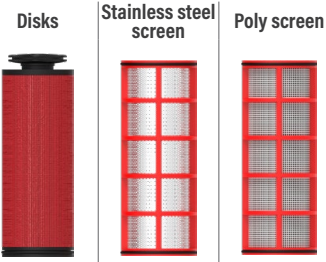
**Description**

Mini version in-line filter, available in 1-1/2" and 2" sizes. Disk, stainless steel screen or polyester screen filtering elements. Small size filter, ideal for secondary filtration applications on small and medium agricultural and residential irrigation systems.



Diameter	Filtering Element	Code	PN	Maximum flow rate (m³/h)	Filtering Surface (cm²)	L (mm)	A (mm)	H (mm)	Weight (kg)
1 1/2"	Stainless steel screen	IFYFVFIxyyCON	8	20	450	258	140	188	0.7
	Polyester Screen	IFYFVFPxyyCON							
	Disks	IFYFVFDxyyCON			500				1.1
2"	Stainless steel screen	IFYFVGIxyyCON			450				0.8
	Polyester Screen	IFYFVGPxyyCON							
	Disks	IFYFVGDXyyCON							

**Filtering Cartridge**



**Connections**

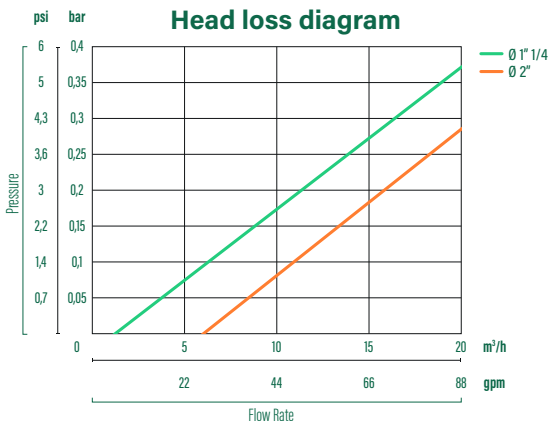
yy: connections (replace with:)

Ref.	Fittings
M2	Threaded BSP (M/M)
M5	Threaded NPT (M/M)

**Filtration degree (mesh)**

x: mesh (replace with:)

Ref.	Mesh	Micron	Stainless Steel	Poly	Disks	Colour
E	20	800	✓	✓		
F	30	500	✓	✓		
G	50	300	✓	✓		
H	75	200	✓	✓		
I	100	160	✓	✓		
L	120	130	✓	✓	✓	
N	155	100	✓	✓		
P	200	80	✓	✓		

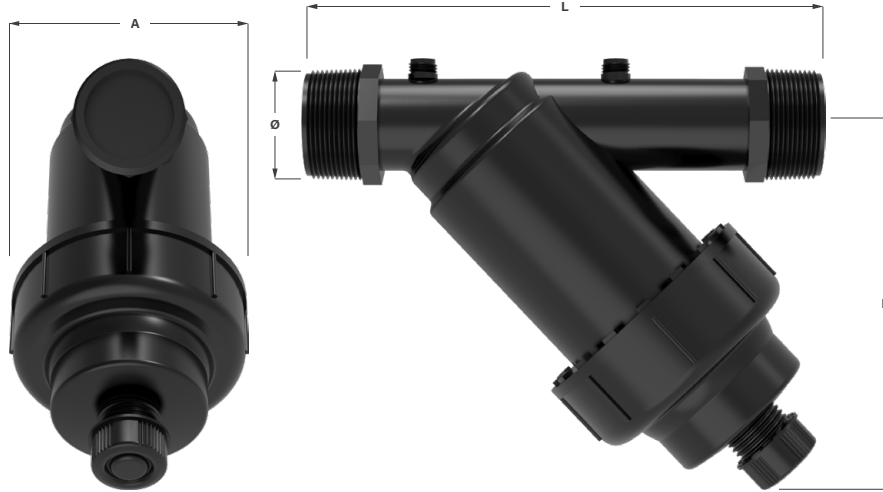


**YEV**

**iFilters**

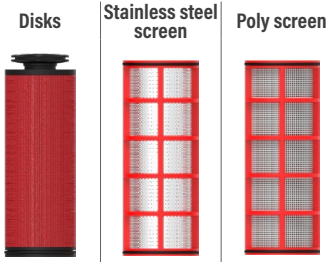
**Description**

Mini version in-line filter, available in 1-1/4" and 1-1/2" sizes. Disk, stainless steel screen or polyester screen filtering elements. Small footprint filter, ideal for filtration applications on small and medium-sized irrigation systems (valve boxes, pumping unit).



Diameter	Filtering Element	Code	PN	Maximum flow rate (m³/h)	Filtering Surface (cm²)	L (mm)	A (mm)	H (mm)	Weight (kg)
1 1/4"	Stainless steel screen	IFYEVEIxyyCON	10	10	220	220	103	152	0.36
	Polyester Screen	IFYEVEPxyyCON			260				
	Disks	IFYEVEDxyyCON			260				
1 1/2"	Stainless steel screen	IFYEVFIxwwCON			220 (M) 225 (W)	220			0.37
	Polyester Screen	IFYEVFPxwwCON				260			
	Disks	IFYEVFDxwwCON				260			

**Filtering Cartridge**



**Connections**

yy: connections (replace with:)

Ref.	Fittings
M2	Threaded BSP (M/M)
M5	Threaded NPT (M/M)

**Connections**

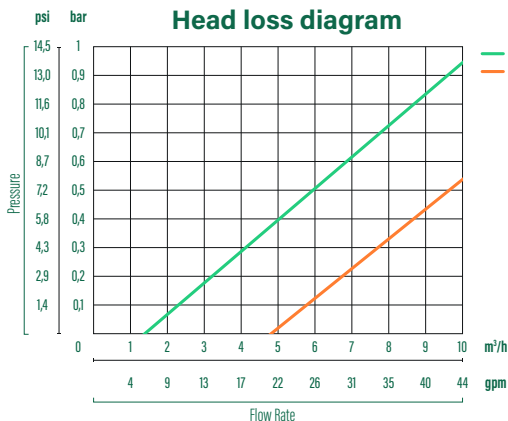
ww: connections (replace with:)

Ref.	Fittings
M2	Threaded BSP (M/M)
M5	Threaded NPT (M/M)
W2	Threaded BSP Swivel (F/F)

**Filtration degree (mesh)**

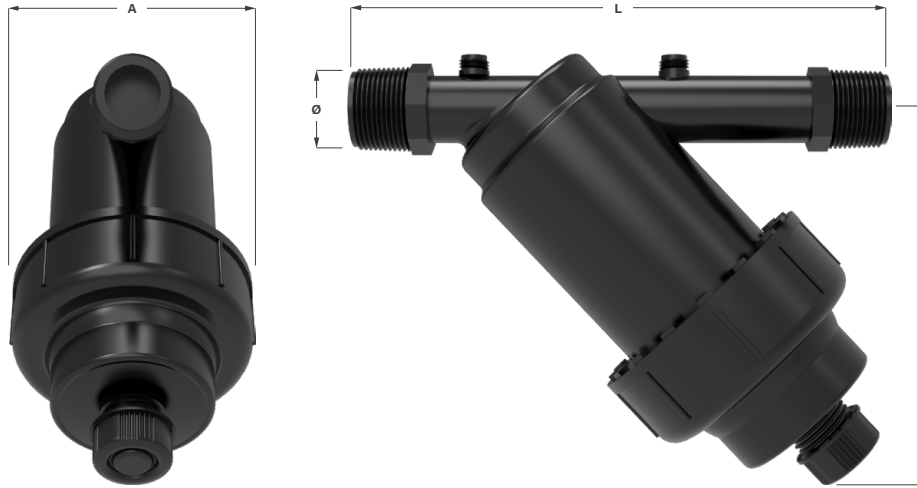
x: mesh (replace with:)

Ref.	Mesh	Micron	Stainless Steel	Poly	Disks	Colour
E	20	800	✓	✓		
F	30	500	✓	✓		
G	50	300	✓	✓		
H	75	200	✓	✓		
I	100	160	✓	✓		
L	120	130	✓	✓	✓	
N	155	100	✓	✓		
P	200	80	✓	✓		



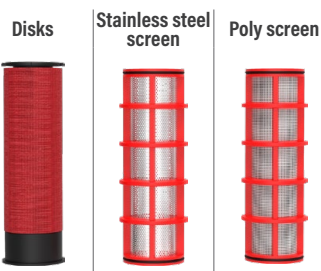
**Description**

Mini version in-line filter, available in 3/4" and 1" sizes. Disk, stainless steel screen or polyester screen filtering elements. Small footprint filter, ideal for filtration applications on small irrigation systems (valve boxes, pumping unit) and for "accessory" filtration (application on tanks, cisterns and machinery).



Diameter	Filtering Element	Code	PN	Maximum flow rate (m³/h)	Filtering Surface (cm²)	L (mm)	A (mm)	H (mm)	Weight (kg)
3/4"	Stainless steel screen	IFYDVCixyyCON	10	5	160	152	84	138	0.22
	Polyester Screen	IFYDVCPxxyCON							
	Disks	IFYDVCDxxyCON							
1"	Stainless steel screen	IFYVDVixwwCON			160	152 (M) 155 (W)			0.23
	Polyester Screen	IFYVDVPxwwCON							
	Disks	IFYVDVDDxwwCON			170				0.31

**Filtering Cartridge**



**Connections**

yy: connections (replace with:)

Ref.	Fittings
M2	Threaded BSP (M/M)
M5	Threaded NPT (M/M)

**Connections**

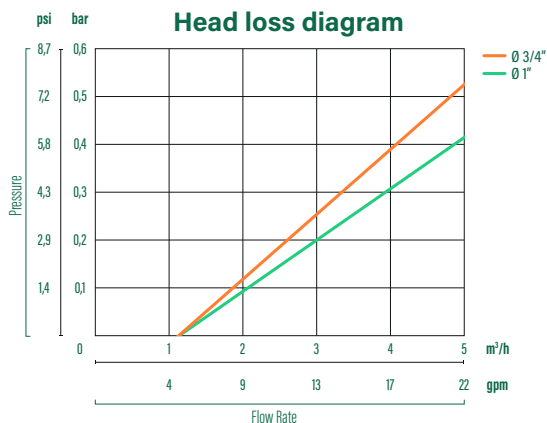
ww: connections (replace with:)

Ref.	Fittings
M2	Threaded BSP (M/M)
M5	Threaded NPT (M/M)
W2	Threaded BSP Swivel (F/F)

**Filtration degree (mesh)**

x: mesh (replace with:)

Ref.	Mesh	Micron	Stainless Steel	Poly	Disks	Colour
E	20	800		✓		
F	30	500	✓	✓		Green
G	50	300	✓	✓		Blue
H	75	200	✓	✓		
I	100	160	✓	✓		Light Blue
L	120	130	✓	✓		Red
N	155	100	✓	✓	✓	Yellow
P	200	80	✓	✓		Black



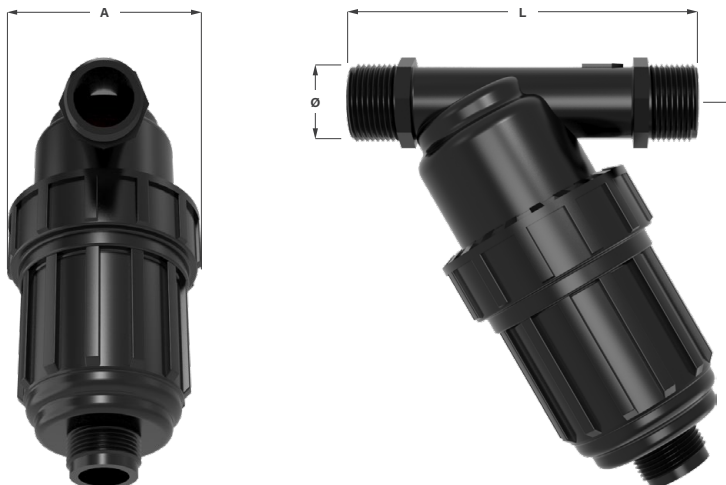


**YCV**

**iFilters**

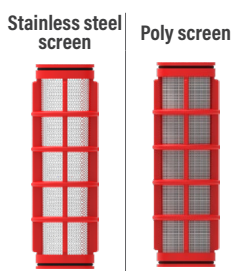
**Description**

Ultra-compact version in-line filter, available in 3/4" and 1" sizes. Filtering elements: stainless steel screen or polyester screen. Extremely small footprint filter, ideal for secondary filtration applications on small residential irrigation systems (Valve boxes) and for "accessory" filtration (application on tanks, cisterns and machinery).



Diameter	Filtering Element	Code	PN	Maximum flow rate (m³/h)	Filtering Surface (cm²)	L (mm)	A (mm)	H (mm)	Weight (kg)
3/4"	Stainless steel screen	IFYCVC1xyySON	10	5	100	123	72	135	0.16
	Polyester Screen	IFYCVCpxyySON							
1"	Stainless steel screen	IFYCVCpxyySON							
	Polyester Screen	IFYCVCpxyySON							0.17

**Filtering Cartridge**



**Connections**

yy: connections (replace with:)

Ref.	Fittings
M2	Threaded BSP (M/M)
M5	Threaded NPT (M/M)

**Filtration degree (mesh)**

x: mesh (replace with:)

Ref.	Mesh	Micron	Stainless Steel	Poly	Disks	Colour
E	20	800	✓	✓		
F	30	500	✓	✓		Green
G	50	300	✓	✓		Blue
H	75	200	✓	✓		White
I	100	160	✓	✓		Light Blue
L	120	130	✓	✓	✓	Red
N	155	100	✓	✓		Yellow
P	200	80	✓	✓		Black

