

# HCM

## WALL / WINDOW MOUNTED EXHAUST FANS

**i** Gravity operated louvre shutter prevents the ingress of dust and rain.

**2\***  
YEAR WARRANTY

**POWERFUL**  
AIR FLOW

**IPX4**

The HCM wall/window mounted fan is suitable for domestic kitchens and bathrooms. It features powerful air flow performance and quiet operation.

- Compact low profile design.
- Quiet operation.
- Can also be skylight mounted (see below).
- Powerful air flow performance.
- Rated “Continuous Run”.

### ACCESSORIES

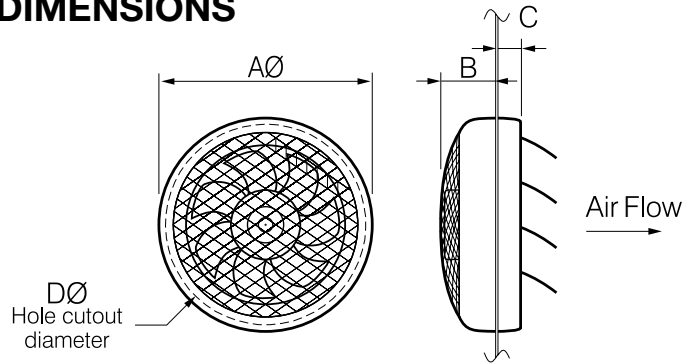
- Weather cap
- Wall rods, tubes and plates for wall mounting (see page 78).

### SPECIFICATIONS

MODEL NO.	M <sup>3</sup> /HR	L/SEC	FAN SPEED RPM	AVG. dB(A) @ 3M	WATTS	VOLTS	IP RATING
HCM-150N	215	60	1920	36	25	220-240	IPX4
HCM-180N	441	123	2250	37	31	220-240	IPX4
HCM-225N	508	141	1350	39	28	220-240	IPX4

Note: Must not be mounted directly above heat sources such as an oven. HCM cannot be speed controlled.  
\*Conditions apply. For details visit: [fantechtrade.com.au/warranty](http://fantechtrade.com.au/warranty)

### DIMENSIONS



MODEL NO.	AØ	B	C	DØ MIN	DØ MAX
HCM-150N	214	63	35	183	188
HCM-180N	255	100	35	220	225
HCM-225N	298	90	35	262	267

All dimensions in mm

### OPTIONAL WEATHER CAP

The Weather Cap has been designed for skylight installation. It provides added protection against both wind and rain when the fan is mounted in demanding areas such as high-rise housing, seaside and exposed positions. Another key feature is that it comes with bird wire mesh and is colour matched to the fan.



Model No: HCM-150CAP and HCM-180CAP.