

EZIFIT THRU WALL

EXTERNAL WALL MOUNTED FAN



Exterior surface mounted fan that is very powerful and easy to install. Ideal for downstairs toilets, laundries and kitchens, or retrofitting an existing in-line fan system.

- Easy to install on exterior wall.
- Compact design for installation in tight spaces.
- Lightweight, durable construction.
- Powerful air extraction from one or more grilles.
- Insect proof cover.
- Easy access for cleaning.
- Can be used with variable speed controller.
- “Continuous rated” motor fitted with thermal protection.
- Grey colourbond finish can be painted to match wall colour.

ACCESSORIES

- Run-on Timers and Speed Controllers.
- Flexible Duct.
- Internal Grilles.
- Backdraft Damper.

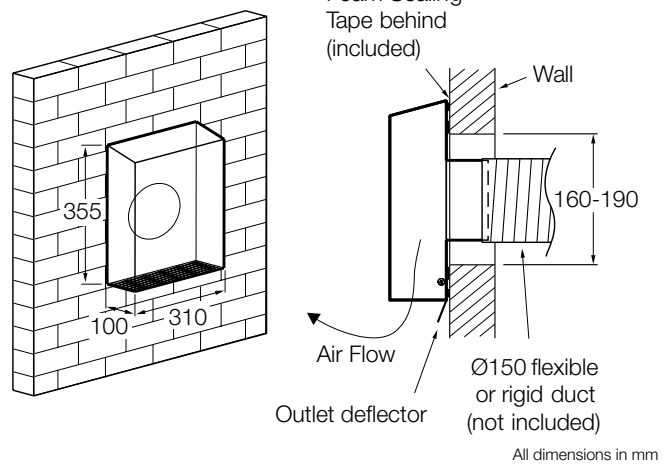
MODEL NO.	TYPE
EWE152	Standard
EWE154	Standard
EWE152-BFC	Bush fire compliant
EWE154-BFC	Bush fire compliant

SPECIFICATIONS

MODEL NO.	M ³ /HR†	L/SEC†	FAN SPEED RPM	AVG. dB(A) @ 3M	WATTS	VOLTS
EWE152	443	123	2500	46	70	220-240
EWE154	245	68	1440	35	30	220-240

† Air flow without duct and fittings

DIMENSIONS



BUSHFIRE CODE COMPLIANT MODEL

- Developed and tested for ducted applications in bushfire prone regions.
- High quality bronze mesh provides ember protection.
- Compliant to AS3959:2018 up to and including BAL-40.



*Conditions apply. For details visit: fantechtrade.com.au/warranty