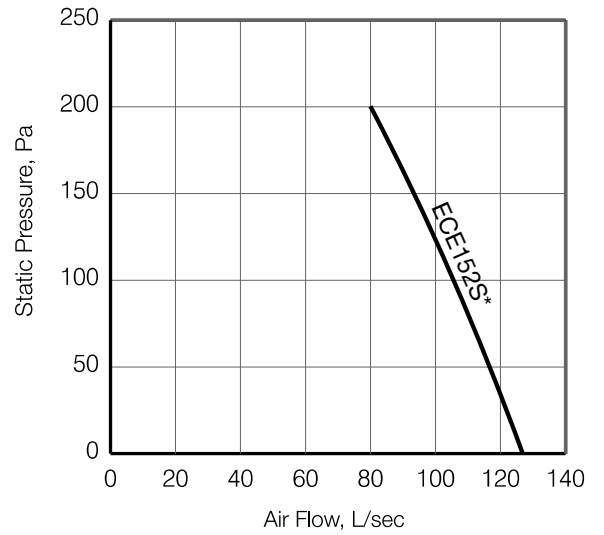


RESIDENTIAL RANGE //



EZIFIT THRU ROOF

ROOF MOUNTED SUPPLY AIR FAN



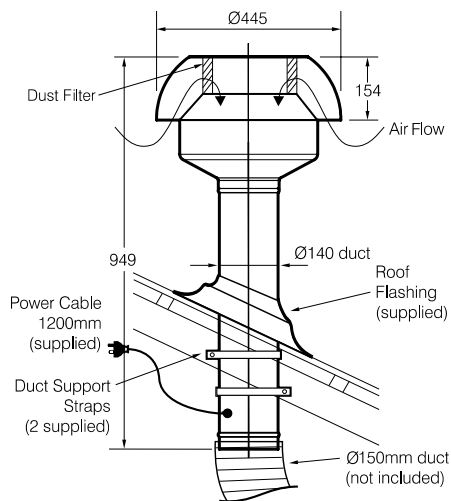
The Ezifit Thru Roof supply air fan provides filtered air to internal spaces within a building. Its high-performance fan makes it suitable for long duct runs and allows it to supply air to multiple points. The Ezifit supply air unit provides quiet operation, is easy to install and features a robust galvanised steel construction.

- Suits all types of tile or metal roof profiles.
- Roof flashing included.
- Easy to install design.
- Suitable for 150mm ducting.
- Comes with convenient 3-pin plug and lead.
- Good installation will provide quiet operation.
- “Continuous rated” motor with safety thermal protection.
- Custom colour available as an optional extra.
- Speed-controllable with electronic controller.
- Fitted with a G2 dust filter that can be cleaned or replaced.



Fitted with a G2 dust filter

DIMENSIONS



SPECIFICATIONS

MODEL NO.	ROOF FLASHING	M ³ /HR [†]	L/SEC [†]	FAN SPEED RPM	dB(A) @ 3M	WATTS	VOLTS
ECE152SM	Metal/Deck Roof	461	128	2460	51	110	240
ECE152ST	Tile Roof	461	128	2460	51	110	240

[†] Air flow without duct and fittings

*Conditions apply. For details visit: fantechtrade.com.au/warranty